



- Model No. : 182-8303 Polished Chrome
 182-8304 Brushed Nickel
 182-8305 Matte Black
 182-8306 Black Stainless Steel



36" - 63" Adjustable Straight Shower Rod

- Model No. : 182-8307 Polished Chrome
 182-8308 Brushed Nickel
 182-8309 Matte Black
 182-8310 Black Stainless Steel



48" - 74" Adjustable Curved Shower Rod

1

Helpful Information

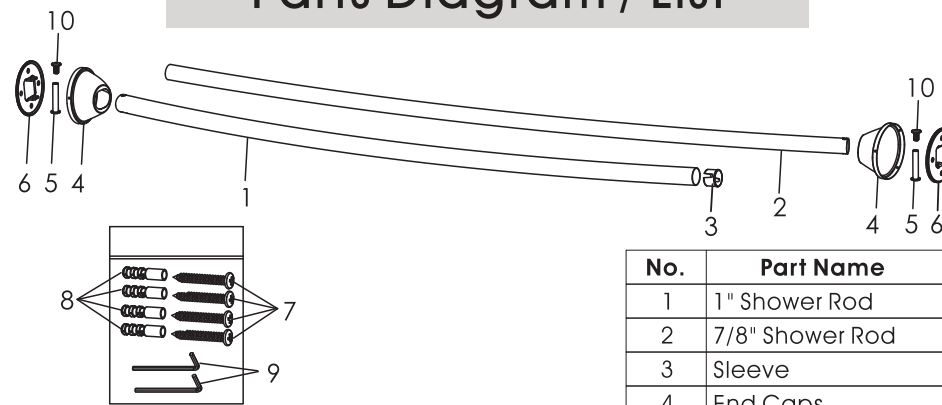
Tools

- Level
- Power Drill
- Pencil
- Hammer
- Phillips Screwdriver
- Flathead Screwdriver
- Tape Measure

Maintenance

Your new bath accessory is designed for years of trouble-free performance. Keep it looking new by cleaning it periodically with a soft cloth. Avoid abrasive cleaners, steel wool and harsh chemicals as these will dull the finish and void your warranty.

Parts Diagram / List



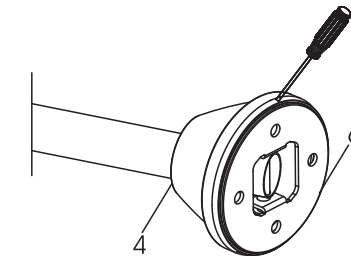
No.	Part Name
1	1" Shower Rod
2	7/8" Shower Rod
3	Sleeve
4	End Caps
5	Allen Type Screws
6	Mounting Brackets
7	Mounting Screws
8	Insert Anchors
9	Allen Wrenches
10	Screw Caps

Need Help ?

Have a question? DON'T GO BACK TO THE STORE, WE CAN HELP, just call 1-800-626-3525, 8 a.m. to 5 p.m. EST Monday-Friday, or send an email to Help@cmiproduct.com.

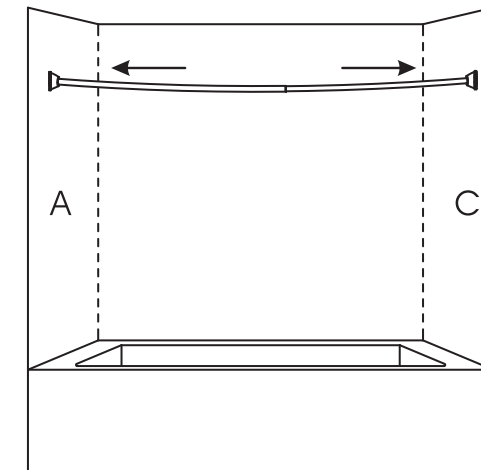
2

Installation Instructions



Step 1

Use a flathead screwdriver to gently separate the mounting bracket (#6) from the end cap (#4). Repeat on the other side.



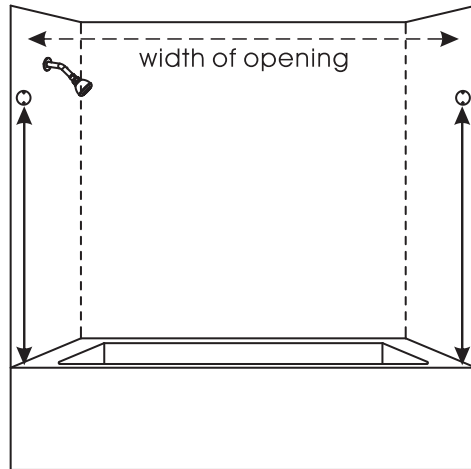
Step 2

- A. While facing the tub, hold the left mounting bracket (#6) at the desired height. Firmly press the mounting bracket (#6) against the left wall.
- B. Mark the screw holes using a pencil, making sure the plate is lined up as in the picture above.
- C. Repeat Steps A and B for the right mounting bracket (#6).

Note: The rod should be installed on the bottom side and the curve facing out of the tub.

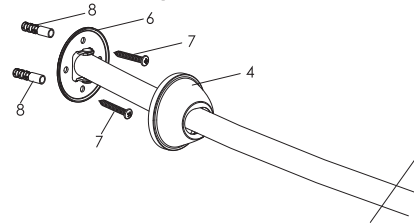
3

Installation Instructions



Step 3

- From the front, left side of the opening, measure to your desired height up to 62" above the top of the tub ledge. Place a small mark on the edge of the wall.
- Measure the appropriate distance from the desired height up to 62", from the back of the tub. Maintaining the same desired height up to 62", make another mark. This is where you will attach the mounting bracket (#6).
- Repeat these steps on the right side of the tub.



Step 4

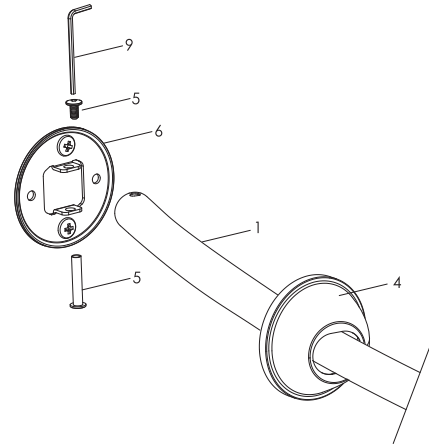
Drywall Installation: On the left side of the tub, drill a hole into the dry wall where marked in Step 3 using a 1/4" (7 mm) drill bit. Take a hammer and gently tap the insert anchors (#8) into the hole all the way so the edge is flush to the wall, repeat on the right side.

Wood Wall Stud Installation: Install the mounting bracket (#6) using the mounting screws (#7). Slide the end caps (#4) over the mounting bracket (#6) then snap into place. The installation is complete.

Note: Make sure the center divider is perfectly horizontal and screw holes are positioned vertically.

4

Installation Instructions



Step 5

- Insert the shower rod (#1) into the mounting bracket (#6). Insert the Allen type screw (#5) into the opening between the mounting bracket (#6) and shower rod (#1). Tighten the Allen type screw (#5) from the top and the bottom using the Allen wrenches (#9).
- Insert shower rod (#2) into shower rod (#1), adjust to your desired width.
- Insert shower rod (#2) into the mounting bracket (#6), insert the Allen type screw (#5) into the opening between the mounting bracket (#6) and shower rod (#2). Tighten the Allen type screw (#5) from the top and the bottom using the Allen wrenches (#9).
- Slide the end caps (#4) over the mounting brackets (#6) then snap into place. The installation is complete.

5



LIMITED LIFETIME WARRANTY

Compass Manufacturing International warrants to the original consumer purchaser that the Bath Hardware be free from defects in material and workmanship for as long as the original consumer purchaser owns the home in which the faucet was first installed.

In the event that Bath Hardware are used in a Commercial Application, this warranty is limited for a period of 5 years, unless otherwise specifically stated in the catalog and/or price book.

Compass Manufacturing International will replace, free of charge, during the applicable warranty period, any part or finish that proves defective in material and/or workmanship under normal installation, use and service. This warranty shall not apply to goods which have been subject to accidents, negligence or improper installation. Compass Manufacturing International will not be liable for other damages or losses, including, but not limited to: labor charges and/or damages incurred in installation, repair or replacement as well as any other kind of loss or damage. Proof of purchase from the original consumer purchaser must be made available for all warranty claims.

Compass Manufacturing International recommends using a professional plumber for all installation and repair. Compass Manufacturing International will, at its discretion, provide new or equivalent replacement parts for any product that proves to be defective under normal usage and service. Replacement parts may be obtained by emailing the address below, calling the number below or by writing to:

Compass Manufacturing International

Freendo Product Service
6702 Enterprise Drive
Louisville, KY 40214
800.626.3525
warranty@cmiproduct.com