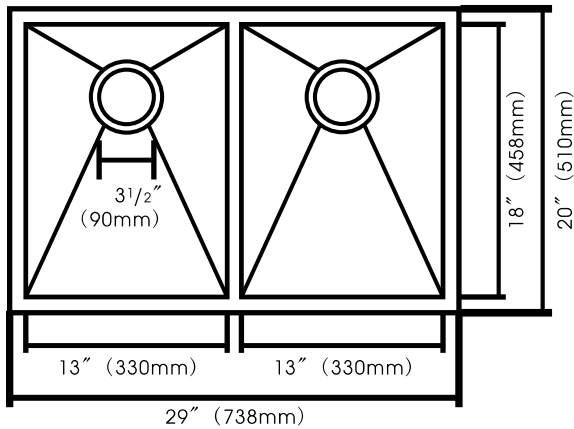


Stainless Steel Kitchen Sink

90 Degree Under-Mount Farm Sink without Apron



Model	Depth	Gauge
481-6886	10"	18G

29" x 20" 90 Degree 50/50 Double Bowl Sink

FEATURES

- * Premium Grade 304 Stainless Steel
- * 10" Depth * 18 Gauge
- * Lustrous Soft Brush Satin Finish
- * 3 1/2" Drain Opening
- * Fully Coated Underneath with Heavy Duty Sound Deadening Pads
- * Includes 10 Fasteners and Instructions
- * Cutout Template (DXF File Available)
- * Limited Lifetime Warranty

Optional Accessories



Basket Strainers



Deep Cup Basket Strainers



Garbage Disposal Flange & Stopper



Soap Dispensers

Project / Job Name			
Architect / Engineer			
Contractor			
Model		Qty	
Notes :			