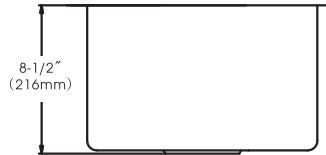
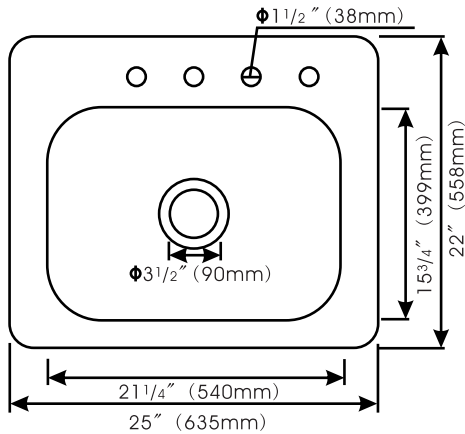


Product Compliance:
 • ASME A112.19.3-2008 / CSA B45.4-08



Model	Depth	Gauge	Hole	Packaging
712-6320	8-1/2"	18G	4	Boxed

25" x 22" Dual-Mount Single Bowl

FEATURES

- * Premium Grade T-304 Stainless Steel
- * 8-1/2" Depth • 18 Gauge
- * One Piece Construction Sink
- * Lustrous Satin
- * Highlighted Rim
- * 3-1/2" Drain Opening
- * Three Faucet Holes With One Accessory Hole
- * Includes 10 U-Channel Clips and 10 Fasteners for Top-Mount or Under-Mount Installations
- * Heavy Duty Sound Deadening Pads Plus Fully Coated Underneath
- * Supplied With Instructions And Cut-out Template
- * Limited Lifetime Warranty

Optional Accessories



Basket Strainers



Deep Cup Basket Strainers



Soap Dispensers

Project / Job Name			
Architect / Engineer			
Contractor			
Model		Quantity	
Notes :			