

## Under Mount Sinks Installation Instructions

Stainless Steel

**Note:** This is an under mount sink - installed under the countertop and sealed to the bottom of the countertop. Under mount sinks should only be fastened to a solid surface countertop (I.E. Corian, Granite, Silestone). This is NOT intended for installation into a laminate countertop.

The manufacturer recommends under mount sinks be installed by a professional experienced installer. The manufacturer is NOT responsible for sinks or countertops damaged during installation.

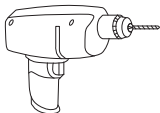








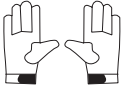



**\* BEFORE INSTALLING THE SINK, INSPECT IT FOR DAMAGE. DO NOT INSTALL A DAMAGED UNIT.**

**CAUTION:** Risk of personal injury. Metal surfaces can be sharp and can cause severe cuts. Please use gloves and handle the sink with care.

Remember, it is your responsibility to follow all local plumbing and building codes.

The warranty will be voided if these installation instructions are not followed.

### RECOMMENDED TOOLS

1	Drill and Drill Bit					
2	Long Shank Flat Screwdriver	1	2	3	4	5
3	Plumber's Putty/Silicone Sealant					
4	Pencil	6	7	8	9	10
5	Silicone Caulk and Caulk Gun					
6	Saber Saw	11	12	13		
7	Flashlight					
8	Teflon Tape					
9	Safety Glasses					
10	Gloves					
11	Adjustable Wrench					
12	Masking Tape					
13	Sand Paper					

For safety and ease of installation, factory recommends the use of the helpful tools above.

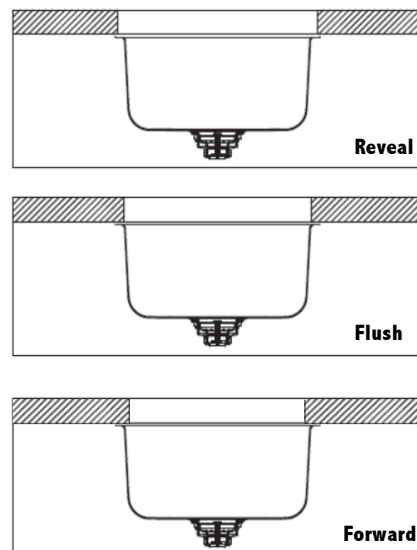
Have a question? DON'T GO BACK TO THE STORE, WE CAN HELP, just call 1-800-626-3525, 8 a.m. to 5 p.m. EST Monday-Friday, or send an email to [Help@cmiproduct.com](mailto:Help@cmiproduct.com).

Under mount sinks have three mounting options. Choose installation based on the look desired. Template includes all three options.

**Reveal** - The countertop edge sits approximately 1/4" back from the edge of the sink, exposing the sink rim.

**Flush** - The countertop meets the edge of the sink, fitting flush with the sink bowls.

**Forward** - The countertop edge sits approximately 1/4" forward from the edge of the sink.



If this is a new countertop installation, please refer to the countertop manufacturer's instructions.

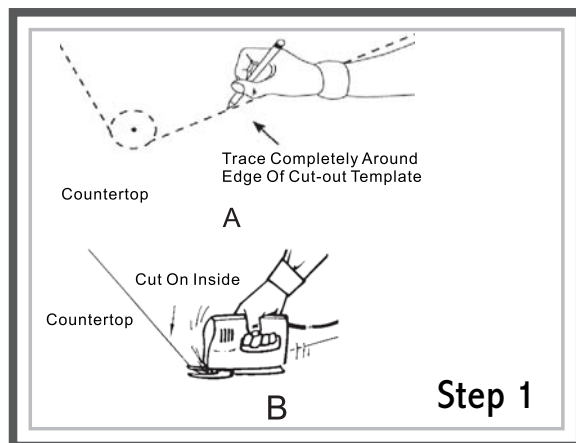
If this is a replacement sink, see Step 2.

## Step 1

### THIS STEP IS ONLY FOR NEW COUNTERTOP INSTALLATIONS.

Position template on countertop. Locate the template front to rear, so that sink will not interfere with the cabinet.

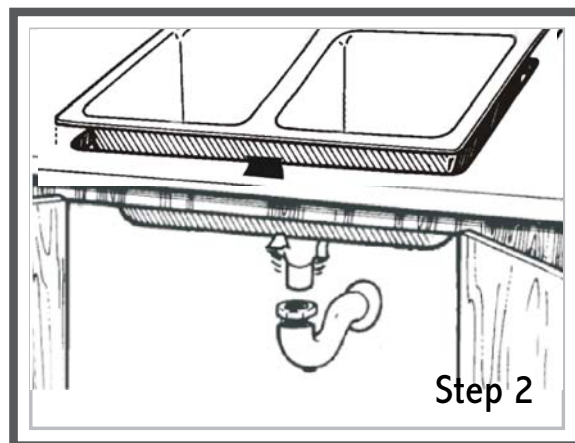
**NOTE:** Skip step 2 if this is a new installation.



## Step 2 (Out with the old)

Here's how to remove the old sink:

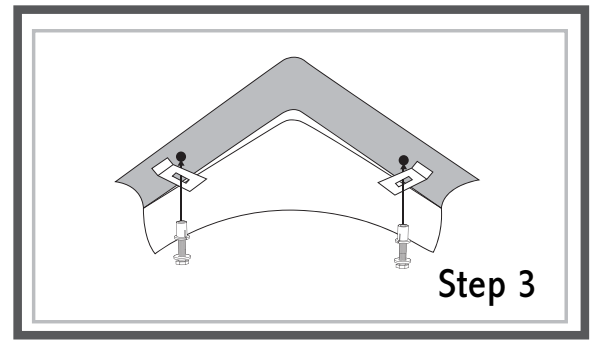
- A. Shut off the water supply valves.
- B. Disconnect the water supply fittings.
- C. Disconnect the drain fittings.
- D. From the underside of the sink, with your flashlight and long screwdriver, loosen and remove the frame clamps or rim fasteners.
- E. Lift the entire sink out of the countertop.



Have a question? DON'T GO BACK TO THE STORE, WE CAN HELP, just call 1-800-626-3525, 8 a.m. to 5 p.m. EST Monday-Friday, or send an email to [Help@cmiproduct.com](mailto:Help@cmiproduct.com).

### Step 3

Locate and drill the mounting holes (following the countertop manufacturer's instructions) as shown in diagram. Holes should allow even spacing of mounting brackets around the sink. Use the fasteners recommended by the countertop supplier.

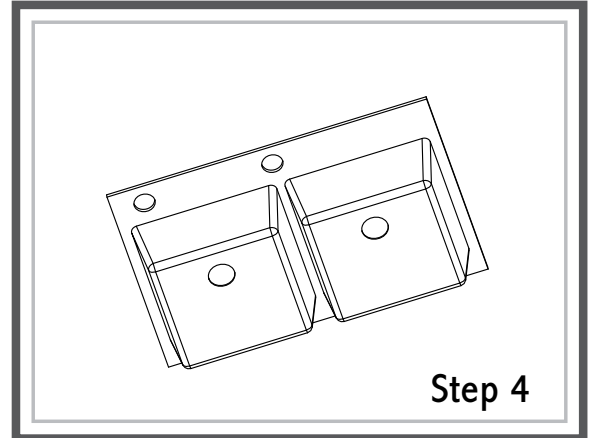


### Step 4 (Install the Sink)

Clean the bottom of the countertop and the top flange. Then apply a bead of silicone adhesive sealant to the top edge of the bowl flange and position the bowl in the countertop. The easiest way to handle the sink is via the drain hole or holes, especially if it's a double bowl model.

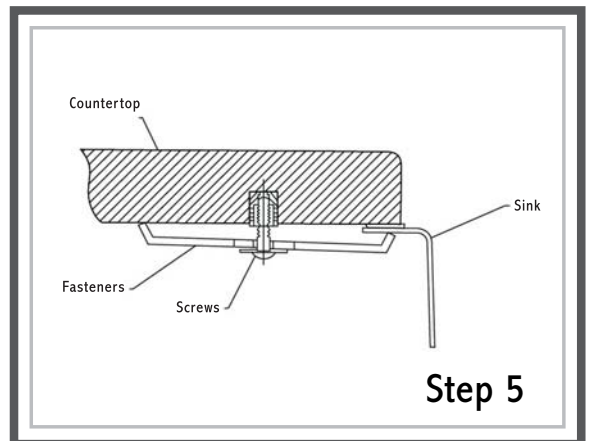
#### NOTE :

Metal surfaces can be sharp and can cause severe cuts. Please use gloves and handle the sink with care.



### Step 5

Position and align the sink under the counter top opening. Press silicone onto counter top and slide fasteners over the rim of the sink. Do not fully tighten one clip at a time. Partially tighten a clip, then partially tighten the clip across from it. Do NOT tighten clips snug to the countertop. Allow enough movement to easily align the sink in the next step.

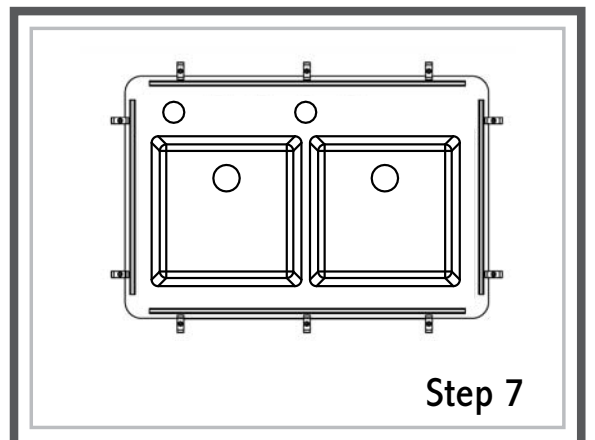


### Step 6

Check alignment of the sink to the countertop opening and adjust as needed.

### Step 7

Repeat the process as described in step 5, to fully tighten each clip, until snug against the countertop. This ensures a secure installation and prevents damage to the sink.



View from under counter.

Have a question? DON'T GO BACK TO THE STORE, WE CAN HELP, just call 1-800-626-3525, 8 a.m. to 5 p.m. EST Monday-Friday, or send an email to [Help@cmiproduct.com](mailto:Help@cmiproduct.com).

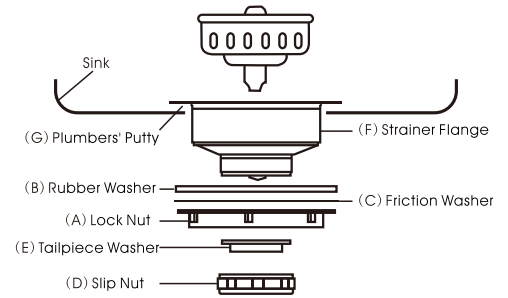
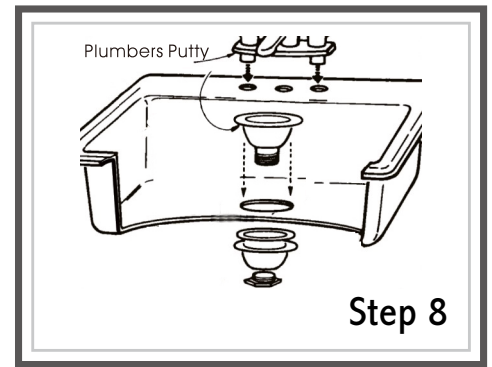
## Step 8 (Attach Accessories)

**New Accessory Installation:** Follow the installation instructions provided with the new accessory.

**Reinstalling Old Accessories:** Clean all old sealant from accessory. Reinstall using fresh plumber's putty or silicone sealant.

**Flexible Supply Lines:** Measure from the bottom of the counter-top to the water supply valve. Add 4" to the measurement to allow for movement. Use Teflon tape in all threaded water connections to avoid leaks.

**Sink Strainer Installation:** Place sealant on bottom of (F) strainer flange (to seal properly) and place in sink opening. From underneath, place (B) rubber washer and (C) friction washer onto (F) strainer flange, then screw on the (A) lock nut while holding the (F) strainer flange firmly in place. Tighten securely. Place (E) tail piece washer (flat side facing up) into the (D) slip nut. Screw the (D) slip nut onto the (F) strainer flange.



Have a question? DON'T GO BACK TO THE STORE, WE CAN HELP, just call 1-800-626-3525, 8 a.m. to 5 p.m. EST Monday-Friday, or send an email to [Help@cmiproduct.com](mailto:Help@cmiproduct.com).

Stainless Steel Sink Care:

**After Each Use:**

- Remove all objects, pads, grids, cloths, etc., from sink.
- Clean with light soap solution, rinse, drain all water and towel dry.

**Regular Maintenance:**

Side Walls and Bottom of Sink: Remove stains using a cleaning product that contains mild abrasives; always wipe in grain direction; rinse well and towel dry. For stubborn stains or scratches use a fine grit scrubbing pad following direction of sink grain finish. Pay careful attention to the directional change.

Mineral Deposits: Use a cleaning product that contains mild abrasives or a light solution of vinegar and water (1:20 ratio); rinse well and towel dry.

**CAUTION:** Stainless steel requires exposure to air; DO NOT leave items, objects, cloths, mats, water, pots and pans, cast iron, knives, etc., in sink when not washing. Some items void stainless steel from oxygen and can cause pitting or rusting.

**DO NOT :**

- Use steel wool or other metal or coarse scouring pads.
- Stand on or in sink when cleaning windows, reaching for top shelf, painting, etc.
- Drop heavy objects in sink as this will cause denting.
- Leave water, bleach, other cleaners, or chemicals of any type in sink; always rinse sink after any use and dry with towel.
- Use concentrated bleach; always dilute with water and rinse thoroughly after use.
- Use any acids, drain cleaners, harsh chemicals, paint removers, metal cleaners, etc., in sink.
- Drop sharp objects in sink or use as a cutting surface.

## Lifetime Limited Warranty

The manufacturer warrants that the parts and assemblies of this product will be free from defects in material and workmanship under normal household use for as long as it is owned by the original consumer purchaser.

This warranty covers the original consumer purchaser only and does not include business, commercial or industrial use of this product. This warranty shall not apply to goods which have been subject to accidents, negligence or improper installation.

Our responsibility under this warranty is limited only to the replacement of parts and no other costs. Should a malfunction occur within the time covered by this warranty, replacement parts may be obtained from the Customer Service Department 1-800-626-3525, The manufacturer will, at its discretion, provide replacement parts for installation by the consumer for any parts that prove defective under normal usage and service with new and like or equivalent parts.

Revised on 06/28/2021

Have a question? DON'T GO BACK TO THE STORE, WE CAN HELP, just call 1-800-626-3525, 8 a.m. to 5 p.m. EST Monday-Friday, or send an email to [Help@cmiproduct.com](mailto:Help@cmiproduct.com).