



**ADA Elongated Toilet**



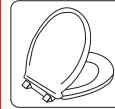
**“Grab-N-Go”**

This Package Includes :



※ Tank & Bowl

+



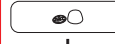
※ Toilet Seat

+



※ Wax Ring with Sleeve

+



※ Two Bolt Caps

+



※ Two Flange Bolts



Model	Color
572-5835	White

**Grab-N-Go HET ADA Elongated 1.28 GPF 3” Flush Toilet**

**DESCRIPTION**

- \* 1.28 GPF (4.8 LPF) Siphon Jet Flush
- \* 3” High Performance Flushing System
- \* 17-1/8” (437mm) Rim Height
- \* Large Water Surface
- \* 2-1/8” Wide Fully Glazed Trapway
- \* 12” Rough-In
- \* MaP Scored: 800 Grams
- \* Tank and Cover

Project / Job Name			
Architect / Engineer			
Contractor			
Model		Quantity	
Notes :			



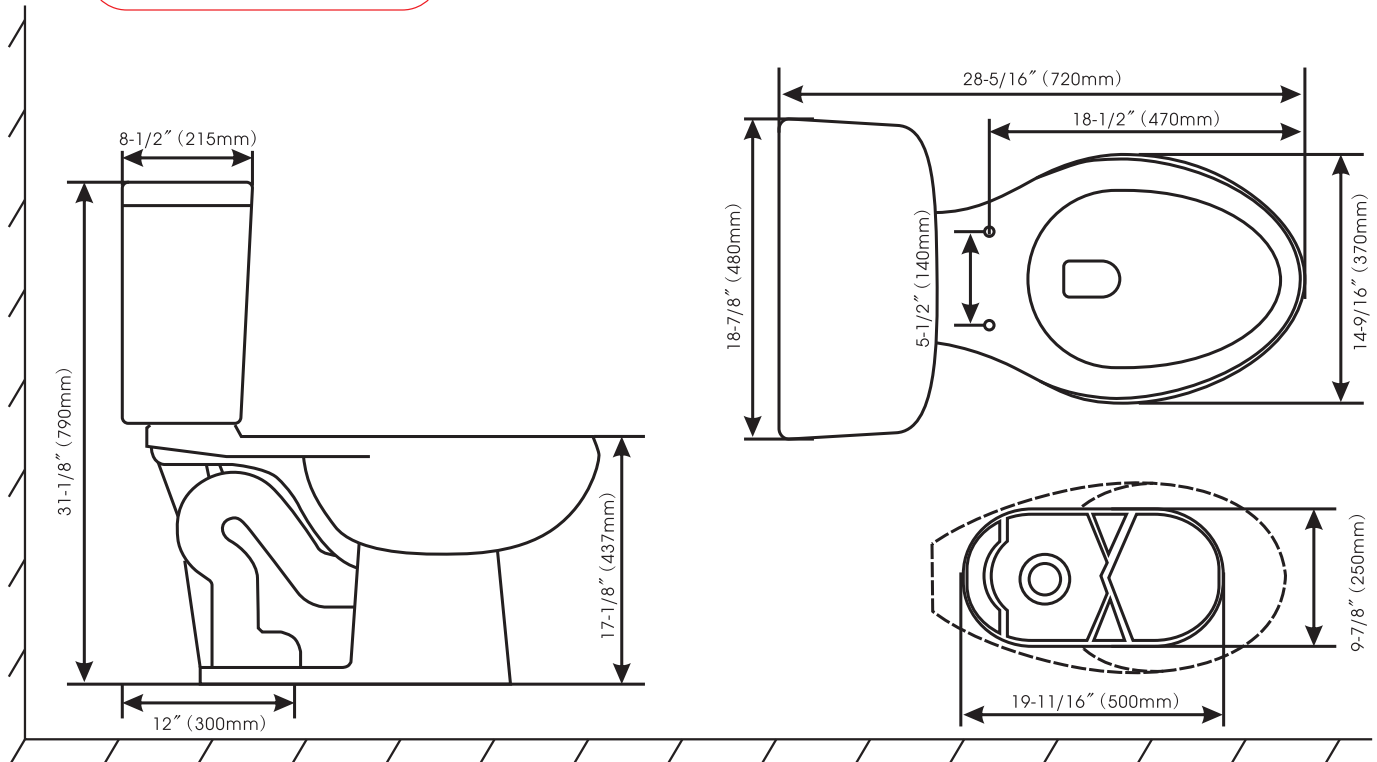
**ADA Elongated Toilet**

**SPECIFICATIONS**

- \* Water Usage : 1.28 GPF (4.8 LPF)
- \* Trap Diameter : 2-1/8"
- \* Rough-In : 12"
- \* Trap Seal : 2-1/8"
- \* Min. Water Pressure : 20 psi
- \* Water Surface : 7" x 3-5/16"
- \* Flush System : Siphon Jet Gravity Flushing System
- \* Warranty : Five Year Limited Warranty  
Includes One Year Parts Warranty
- \* Material : Tank & Bowl: Vitreous China
- \* Shipping Weight : 90LBS
- \* Shipping Dimensions : 35-7/16" L x 19-7/8" W1  
x 12-3/16" W2 x 18-1/2" H

**ADA Elongated Toilet**

Model No.: 572-5835 - (White)



Product dimensions are nominal and may vary within a tolerance in accordance with ANSI Standard 112.19.2. These are subject to change without notice. Compass Manufacturing International has the right to make revisions or corrections without notice to product pages. We assume no responsibility for voided product pages.