



## LIMITED LIFETIME WARRANTY

Compass Manufacturing International warrants to the original consumer purchaser that the faucet be free from defects in material and workmanship for as long as the original consumer purchaser owns the home in which the faucet was first installed.

In the event that Freendo faucets are used in a Commercial Application, this warranty is limited for a period of 5 years, unless otherwise specifically stated in the catalog and/or price book.

Compass Manufacturing International will replace, free of charge, during the applicable warranty period, any part or finish that proves defective in material and/or workmanship under normal installation, use and service. This warranty shall not apply to goods which have been subject to accidents, negligence or improper installation. Compass Manufacturing International will not be liable for other damages or losses, including, but not limited to: labor charges and/or damages incurred in installation, repair or replacement as well as any other kind of loss or damage. Proof of purchase from the original consumer purchaser must be made available for all warranty claims.

Compass Manufacturing International recommends using a professional plumber for all installation and repair. Compass Manufacturing International will, at its discretion, provide replacement parts for installation by consumer for any parts that prove defective under normal usage and service with new or equivalent parts. Replacement parts may be obtained by emailing the address below, calling the number below or by writing to:

### Compass Manufacturing International

Freendo Product Service

6702 Enterprise Drive

Louisville, KY 40214

800.626.3525

[warranty@cmiproduct.com](mailto:warranty@cmiproduct.com)

Revised 09/24/24

[warranty@cmiproduct.com](mailto:warranty@cmiproduct.com)

© Compass Manufacturing International

800.626.3525



Model No. : 191-6614 Polished Chrome  
191-6615 Brushed Nickel *Spotless PVD*<sup>™</sup>  
191-6616 Oil-Rubbed Bronze  
192-8062 Matte Black



**Single Handle Kitchen Faucet With Side Spray**  
3 Hole Installation, Matching Side Spray



## Helpful Information

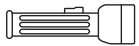
### Helpful Tools

#### Tools:

Gather the necessary tools as shown below to complete the installation of this faucet. Some may not be needed depending on the model of faucet you are installing. Check with your local hardware store on the requirements of your installation situation.



Plumber's Putty



Flashlight



Basin Wrench



Safety Glasses



Screwdriver



Pliers



Channel Locks



Adjustable Wrench

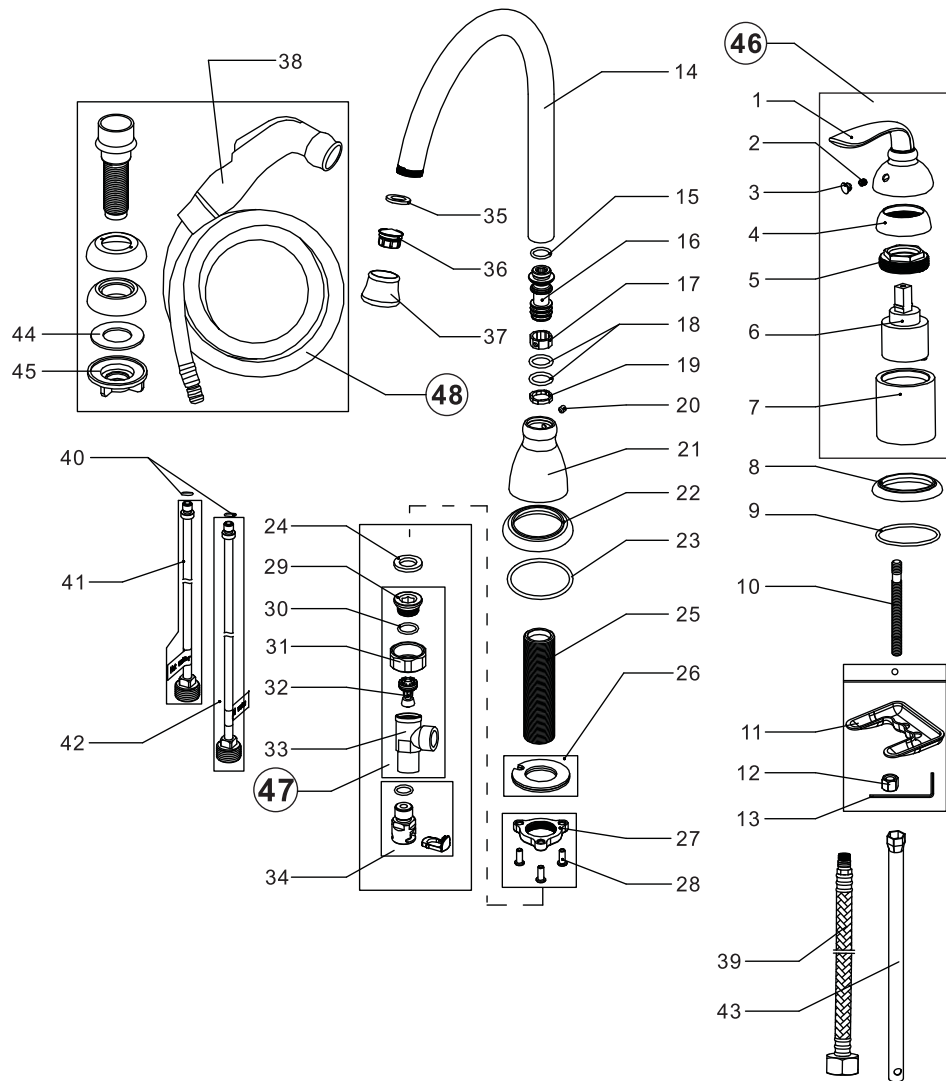
## 5

## Parts List

23	O-ring		
22	Hub Base	45	Plastic Locknut
21	Spout Nut	44	Washer
20	Set Screw	43	Socket Wrench
19	Retainer	42	Copper Tube
18	O-ring	41	Copper Tube
17	Retainer	40	O-ring
16	Spout Connector	39	Connect Hose
15	O-ring	38	Side Spray
14	Spout	37	Aerator Collar
13	Allen Key	36	Aerator Core
12	Locknut	35	Aerator Washer
11	Clamp	34	Quick Connect Assembly
10	Bolt	33	Diverter Seat
9	O-ring	32	Diverter
8	Flange	31	Nut
7	Cartridge Sleeve	30	O-ring
6	Cartridge	29	Inlet Adapter
5	Cartridge Locknut	28	Screw
4	Trim Cap	27	Locknut
3	Index	26	Clamp
2	Set Screw	25	Shank
1	Handle	24	Washer
<b>No.</b>	<b>Part Name</b>	<b>No.</b>	<b>Part Name</b>

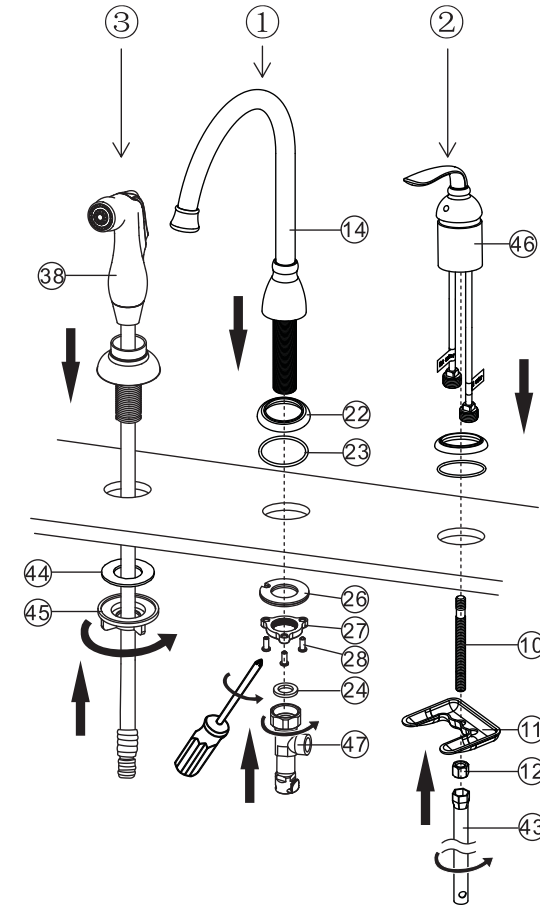
4

## Parts Diagram



1

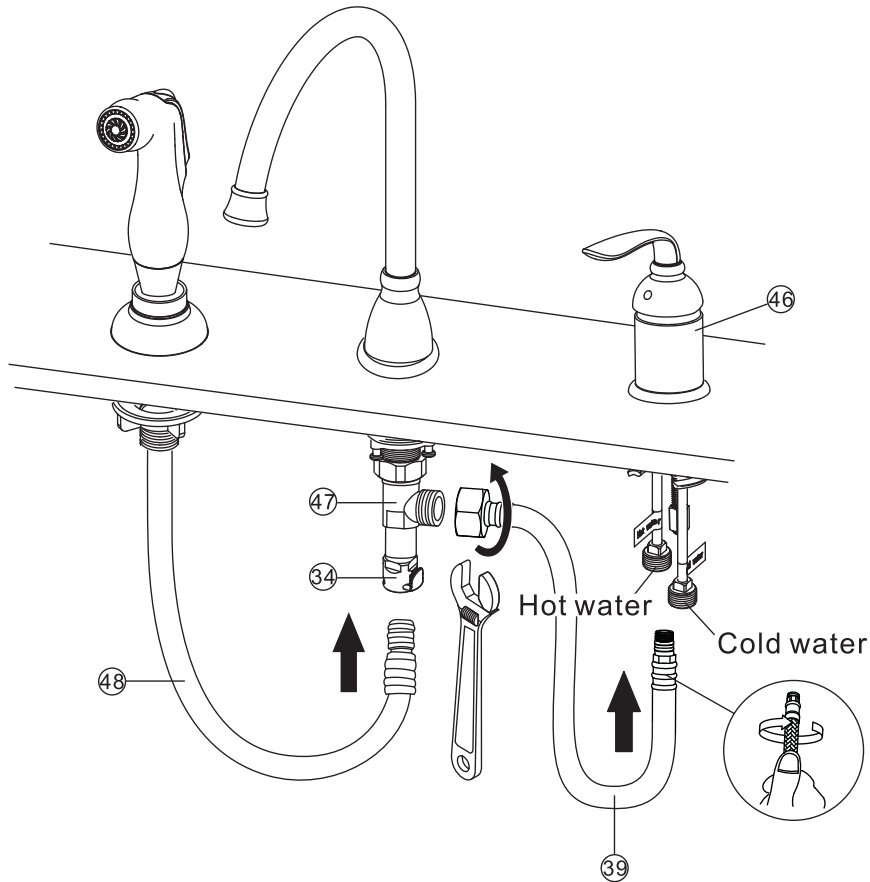
## Faucet Installation



1. Position the spout (14), hub base (22) and O-ring (23) on countertop. From underneath the countertop, assemble the clamp (26), locknut (27) and screws (28). Tighten the locknut by hand and secure the screws by screwdriver. Then attach the diverter assembly (47) to faucet as shown. Don't forget the washer (24).
2. Position the body (46) on countertop as shown, assemble bolt (10), clamp (11) and locknut (12), tighten with socket wrench (43).
3. Position the side spray (38) on countertop as shown, and fix it with washer (44) and plastic locknut (45).

**2**

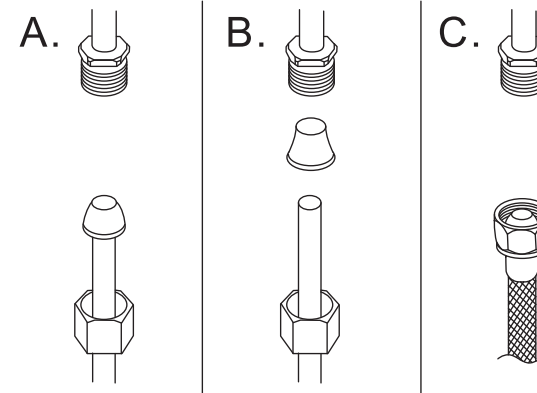
## Connect Hose Installation



- Assemble side spray hose (48) to quick connect assembly (34).  
**CAUTION: Make sure hose is properly engaged and secure in quick connect assembly.**
- Connect the connect hose (39) as shown. Connect with the body (46) by hand at first, and then connect with the diverter assembly (47) with adjustable wrench.

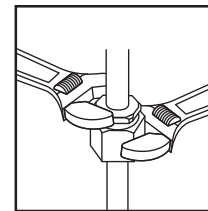
**3**

## Configuration

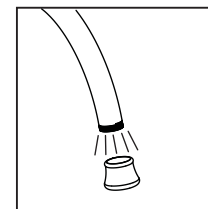


**Warning:**  
The supply valves and supply lines are not included.

- Connect to water supply lines with either:
- 3/8" O.D. Copper tubing (ball nose risers with the coupling nuts or;
  - 3/8" Copper tubing (no ball) with supplied tube head interior connector or;
  - IPS faucet connectors (1/2" )

**Important:**

Tighten connection with two wrench to prevent damage to tube body. Be careful not to bend the stem as this will void the product warranty.

**Important:**

Remove the aerator and let both hot and cold water run for one minute. To clear any line trash. This will help clean any debris that might clog the system. Re-assemble aerator.

**Test system for leaks.**