



## LIMITED LIFETIME WARRANTY

Compass Manufacturing International warrants to the original consumer purchaser that the faucet be free from defects in material and workmanship for as long as the original consumer purchaser owns the home in which the faucet was first installed.

In the event that Freendo faucets are used in a Commercial Application, this warranty is limited for a period of 5 years, unless otherwise specifically stated in the catalog and/or price book.

Compass Manufacturing International will replace, free of charge, during the applicable warranty period, any part or finish that proves defective in material and/or workmanship under normal installation, use and service. This warranty shall not apply to goods which have been subject to accidents, negligence or improper installation. Compass Manufacturing International will not be liable for other damages or losses, including, but not limited to: labor charges and/or damages incurred in installation, repair or replacement as well as any other kind of loss or damage. Proof of purchase from the original consumer purchaser must be made available for all warranty claims.

Compass Manufacturing International recommends using a professional plumber for all installation and repair. Compass Manufacturing International will, at its discretion, provide new or equivalent replacement parts for any product that proves to be defective under normal usage and service. Replacement parts may be obtained by emailing the address below, calling the number below or by writing to:

**Compass Manufacturing International**  
Freendo Product Service  
6702 Enterprise Drive  
Louisville, KY 40214  
800.626.3525  
[warranty@cmiproduct.com](mailto:warranty@cmiproduct.com)

Revised 4/3/17

[warranty@cmiproduct.com](mailto:warranty@cmiproduct.com)

© Compass Manufacturing International

800.626.3525



Model No. : 192-6416 Polished Chrome  
192-6417 Brushed Nickel Spotless PVD  
192-6418 Oil-Rubbed Bronze  
192-7159 Matte Black  
192-7158 Matte Gold



**Cardania Two Handle Bar Faucet**  
3 Hole Installation, 4" Center-Set



## Helpful Information

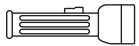
### Helpful Tools

#### Tools:

Gather the necessary tools as shown below to complete the installation of this faucet. Some may not be needed depending on the model of faucet you are installing.



Plumber's Putty  
and/or Silicone



Flashlight



Basin Wrench



Safety Glasses



Screwdriver



Pliers



Channel Locks



Adjustable Wrench

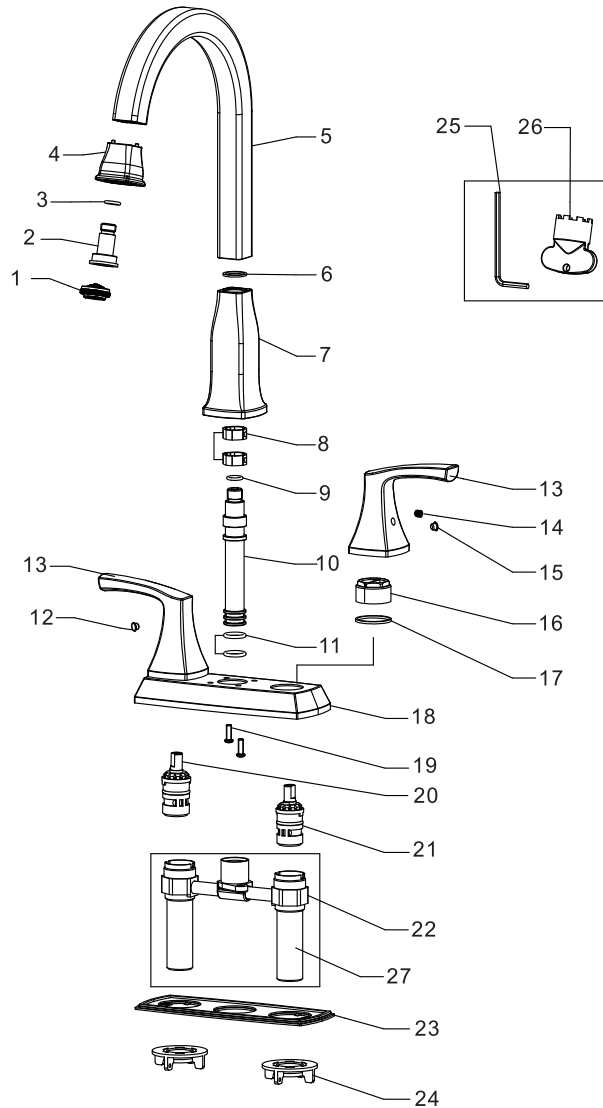
## 5

## Parts List

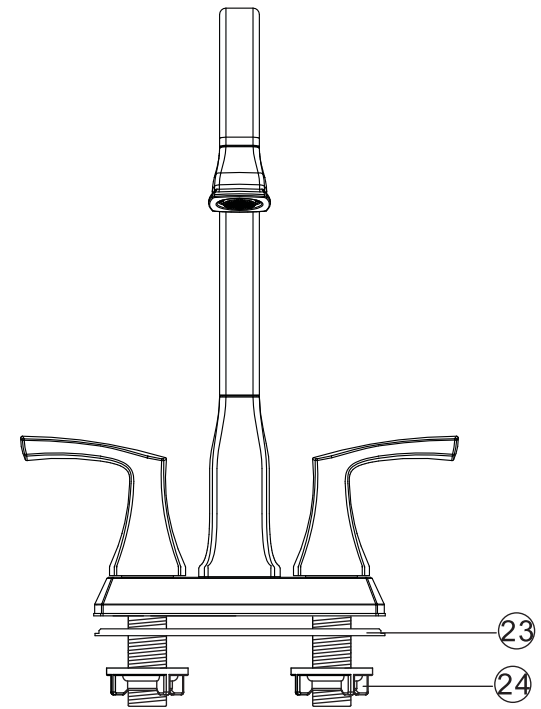
27	Faucet Tailpiece
26	Aerator Wrench
25	Allen key
24	Plastic Locknut
23	Putty Plate
22	Brazed Underbody
21	Cartridge(Cold Water)
20	Cartridge(Hot Water)
19	Screw
18	Deck Plate
17	Plastic Washer
16	Cartridge Locknut
15	Index (Cold)
14	Set Screw
13	Handle
12	Index (Hot)
11	O-ring
10	Inlet
9	O-ring
8	Retainer
7	Body
6	Wearing ring
5	Spout
4	Sleeve
3	O-ring
2	Connector
1	Aerator
<b>No.</b>	<b>Part Name</b>

**4**

## Parts Diagram

**1**

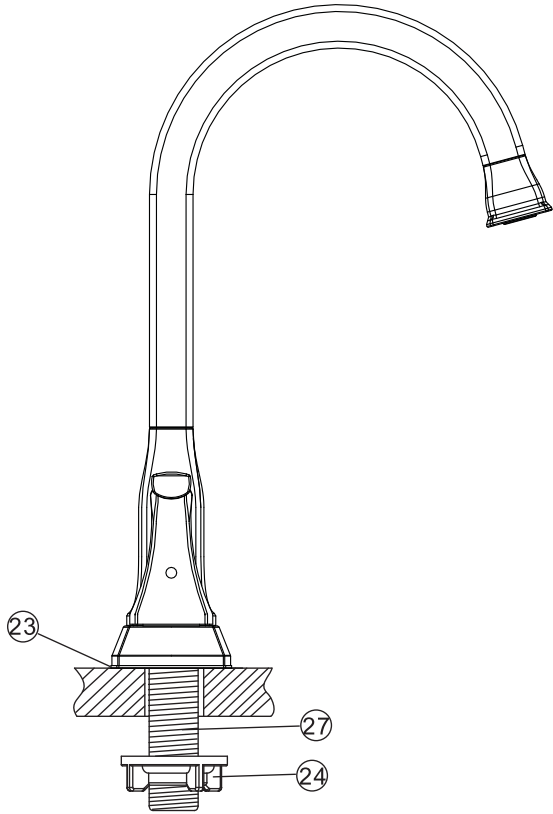
## Preparation / Mounting



1. Shut off water supply and drain lines. Clean sink surface thoroughly. Make sure mounting area is clean and dry.
2. Remove the plastic locknut (24) from faucet. Don't remove the putty plate (23) from faucet.

**2**

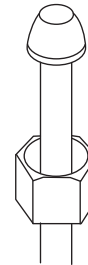
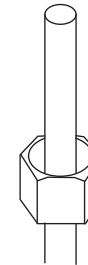
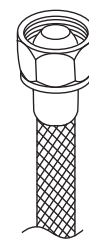
## Faucet Installation



3. Position the faucet on the countertop with putty plate (23).  
 Replace the plastic locknuts (24) on the faucet tailpiece (27)  
 and tighten the plastic locknuts (24) by hand.

**3**

## Configuration

**A.** Faucet tailpiece**B.** Faucet tailpiece**C.** Faucet tailpiece

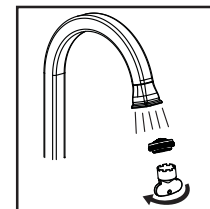
Connect to water supply lines with either:

- (A) 3/8" O.D. Copper tubing (ball nose risers with the coupling nuts or;  
 (B) 3/8" Copper tubing (no ball) with supplied tube head interior connector or;  
 (C) IPS faucet connectors (1/2" )



**Warning:**

The supply valve and supply lines are not included.



**Important:**

Let both hot and cold water run for one minute.  
 This will help clean any debris that might clog the system.

**Test system for leaks .**