



## LIMITED LIFETIME WARRANTY

Compass Manufacturing International warrants to the original consumer purchaser that the faucet be free from defects in material and workmanship for as long as the original consumer purchaser owns the home in which the faucet was first installed.

In the event that Freendo faucets are used in a Commercial Application, this warranty is limited for a period of 5 years, unless otherwise specifically stated in the catalog and/or price book.

Compass Manufacturing International will replace, free of charge, during the applicable warranty period, any part or finish that proves defective in material and/or workmanship under normal installation, use and service. This warranty shall not apply to goods which have been subject to accidents, negligence or improper installation. Compass Manufacturing International will not be liable for other damages or losses, including, but not limited to: labor charges and/or damages incurred in installation, repair or replacement as well as any other kind of loss or damage. Proof of purchase from the original consumer purchaser must be made available for all warranty claims.

Compass Manufacturing International recommends using a professional plumber for all installation and repair. Compass Manufacturing International will, at its discretion, provide new or equivalent replacement parts for any product that proves to be defective under normal usage and service. Replacement parts may be obtained by emailing the address below, calling the number below or by writing to:

### Compass Manufacturing International

Freendo Product Service

6702 Enterprise Drive

Louisville, KY 40214

800.626.3525

[warranty@cmiproduct.com](mailto:warranty@cmiproduct.com)

Revised 12/14/19

[warranty@cmiproduct.com](mailto:warranty@cmiproduct.com)

© Compass Manufacturing International

800.626.3525



Model No. : 192-6443 Polished Chrome  
192-6444 Brushed Nickel *Spotless PVD*<sup>™</sup>  
192-6445 Oil-Rubbed Bronze



## Aegean Single Handle Vessel Faucet With Dual Function Pop-up Drain

### Single Hole Installation



## Helpful Information

### Helpful Tools

#### Tools:

Gather the necessary tools as shown below to complete the installation of this faucet. Some may not be needed depending on the model of faucet you are installing.



Plumber's Putty  
and/or Silicone



Flashlight



Basin Wrench



Safety Glasses



Screwdriver



Pliers



Channel Locks



Adjustable Wrench

## Maintenance

Your new faucet is designed for years of trouble-free performance. Keep it looking new by cleaning it periodically with a soft, damp cloth. Avoid abrasive cleaners, steel wool and harsh chemicals as these will dull the finish and void your warranty.

## Safety Tips

- If you use solder for the installation of this faucet, please remove the seats, cartridges and washers before soldering. Otherwise the warranty will be voided on these parts.
- Protect your eyes with safety glasses when cutting or soldering water supply line.
- Cover your drain to avoid losing parts.

## Important Points

Prior to beginning installation, turn off the cold and hot water lines and turn on the old faucet to release built-up pressure. When installing your new faucet, turn the connector nuts finger tight, then use a wrench to anchor the fitting and a second wrench to tighten the nut one additional turn. Connections that are too tight can compromise the integrity of the system. Wrap all threaded connections with teflon tape. Always wrap in a clockwise direction.

## 5

## Troubleshooting

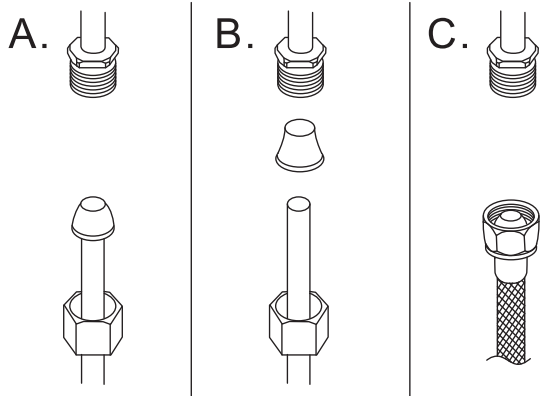
If the instructions were followed carefully and the faucet does not work properly, try these corrective steps.

| Problem                             | Cause                             | Action  |
|-------------------------------------|-----------------------------------|---|
| Leaks underneath handle (#1).       | The lock nut (#5) has come loose. | Turn off the water supplies. Remove the handle (#1), and trim cap (#4). Tighten the lock nut (5). Reinstall the trim cap (#4) and handle (#1).  |
| Water will not shut off completely. | Dirty or damaged cartridge (#6).  | Remove the handle (#1), trim cap (#4), lock nut (#5), and cartridge (#6). Check the ceramic disk for dirt and damage. Replace the cartridge (#6) if damaged. If the cartridge (#6) is dirty, soak it in warm white vinegar for 4 hours. Every 30 minutes, while the cartridge (#6) is completely submerged, turn the stem on and off 10 times. Reinstall the cartridge (#6), lock nut (#5), trim cap (#4), and handle (#1). |

Have a question? DON'T GO BACK TO THE STORE, WE CAN HELP, just call 1-800-626-3525 ,8 a.m. to 5 p.m. EST Monday-Friday, or send an email to [Help@cmiproduct.com](mailto:Help@cmiproduct.com).

# 4

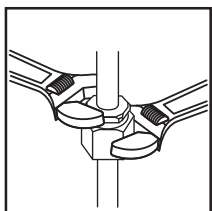
## Configuration



**Warning:**  
The supply valves and supply lines are not included.

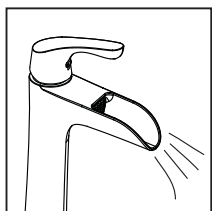
Connect to water supply lines with either:

- (A) 3/8" O.D. Copper tubing (ball nose risers with the coupling nuts or;
- (B) 3/8" Copper tubing (no ball) with supplied tube head interior connector or;
- (C) IPS faucet connectors (1/2")



**Important:**

Tighten connection with two wrenches to prevent damage to tube body. Be careful not to bend the stem as this will void the product warranty.



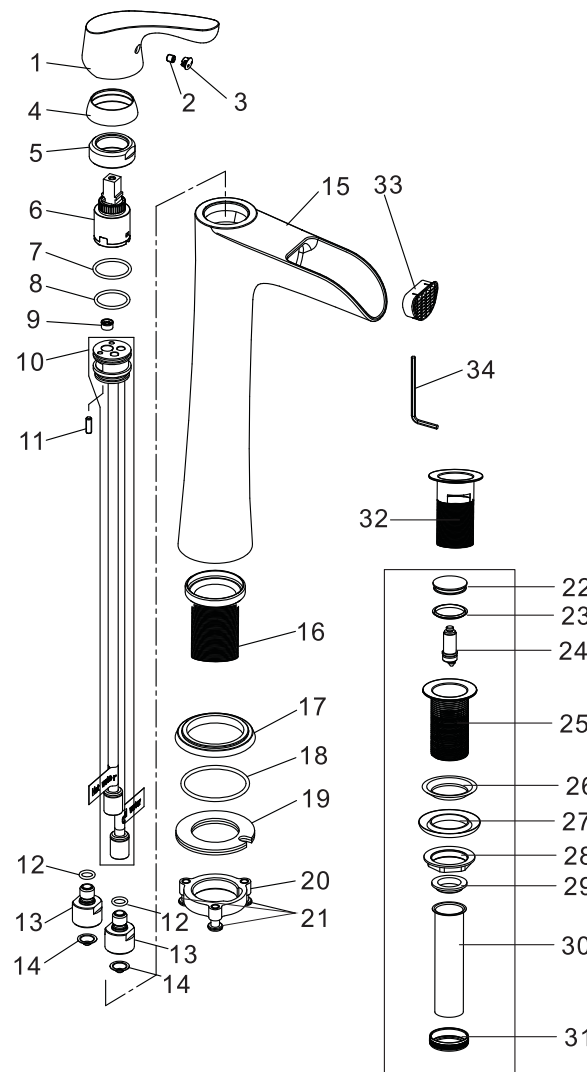
**Important:**

Let both hot and cold water run for one minute. This will help clean any debris that might clog the system.

**Test system for leaks.**

# 1

## Parts Diagram / List



| No. | Part Name                               |
|-----|---|
| 1   | Handle                                  |
| 2   | Set Screw                               |
| 3   | Index                                   |
| 4   | Trim Cap                                |
| 5   | Lock Nut                                |
| 6   | Cartridge                               |
| 7   | O-ring                                  |
| 8   | O-ring                                  |
| 9   | Screw                                   |
| 10  | Waterway                                |
| 11  | Screw                                   |
| 12  | O-ring                                  |
| 13  | Adapter                                 |
| 14  | Screen Filter                           |
| 15  | Body                                    |
| 16  | Shank                                   |
| 17  | Base                                    |
| 18  | O-ring                                  |
| 19  | Gasket Assembly                         |
| 20  | Lock Nut                                |
| 21  | Screw                                   |
| 22  | Cover                                   |
| 23  | Washer                                  |
| 24  | Stopper Core                            |
| 25  | Stopper Housing (Without Overflow Hole) |
| 26  | Washer                                  |
| 27  | Washer                                  |
| 28  | Locknut                                 |
| 29  | Washer                                  |
| 30  | Outlet Pipe                             |
| 31  | Nut                                     |
| 32  | Stopper Housing (With Overflow Hole)    |
| 33  | Aerator                                 |
| 34  | Allen Wrench                            |

## 2

### Faucet Installation

1. Shut off the water supplies before installation. Remove the current faucet. Clean and dry the surface the new faucet will be installed on.

**Note:** This faucet fits 3cm/1-3/16" countertops.

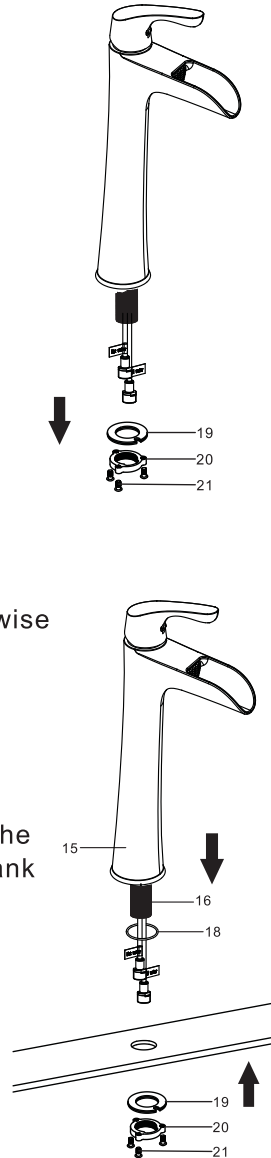
2. Remove the lock nut (#20) and gasket assembly (#19).

**Note:** Do not remove the customer service tag with the model number and phone number. This information will be needed when calling the customer service department.

3. Apply Teflon tape to the threads of the waterway (#10) (hot and cold water supply tubes) in a clockwise direction.

4. Verify the O-ring (#18) is in place. Place silicone sealant beneath the body (#15). Install the faucet through the single faucet hole. From underneath the sink, slide the gasket assembly (#19) onto the shank (#16), then screw on the lock nut (#20) hand tight. Use a Philips screwdriver to tighten the screws (#21) on the lock nut (#20).

**Hint:** Have someone hold the body (#15) in place while tightening.



## 3

### Pop-up Installation

Instruction for product with drain option only

5. Disassemble the new pop-up assembly: Remove the nut (#31), outlet pipe (#30), washer (#29), lock nut (#28), washer (#27), and washer (#26) from the drain assembly.

**Note:** Before installation, verify there is no damage to the push up pop-up drain. If there is damage, please call customer service for a replacement. Do NOT install damaged parts.

6. Remove the old drain assembly. Clean the surface to remove the old adhesive and dirt before installing the new drain. Dry the area thoroughly.

#### 7. Overflow Hole Instructions:

**Note:** Skip this step if installing the drain into a sink without an overflow hole.

Unscrew the cover (#22) counterclockwise by hand. Unscrew the stopper core (#24) counterclockwise using a pair of pliers if needed. Screw the stopper core (#24) into the stopper housing (with overflow hole) (#32). Screw the cover (#22) onto the stopper core.

8. Place a ring of silicone sealant around the washer (#26) on the stopper housing (#25 or #32) or the drain opening of the sink. Insert the stopper housing (#25 or #32) into the drain hole from the top.

9. From underneath the sink, slide the washer (#27) onto the stopper housing (#25 or #32), then screw on the lock nut (#28) hand tight. Do not over tighten. See the diagram for a visual.

10. Slide the nut (#31) over the outlet pipe (#30) and insert the washer (#29) onto the outlet pipe (#30). Screw the nut (#31) onto the stopper housing (#25 or #32) hand tight. Do not over tighten.

**Note:** The outlet pipe (#30) connects to the p-trap drain. Refer to the installation instructions for the p-trap for more information on how to connect the outlet pipe (#30) to the p-trap drain.

