



Model No. : 192-6634 Polished Chrome



**4" Gooseneck Lavatory Faucet With Wrist  
Blade Handles**



## Helpful Information

### Helpful Tools

#### Tools:

Gather the necessary tools as shown below to complete the installation of this faucet. Some may not be needed depending on the model of faucet you are installing.



Plumber's Putty  
and/or Silicone



Flashlight



Basin Wrench



Safety Glasses



Screwdriver



Pliers



Channel Locks



Adjustable Wrench



### LIMITED LIFETIME WARRANTY

Compass Manufacturing International warrants to the original consumer purchaser that the faucet be free from defects in material and workmanship for as long as the original consumer purchaser owns the home in which the faucet was first installed.

In the event that Freendo faucets are used in a Commercial Application, this warranty is limited for a period of 5 years, unless otherwise specifically stated in the catalog and/or price book.

Compass Manufacturing International will replace, free of charge, during the applicable warranty period, any part or finish that proves defective in material and/or workmanship under normal installation, use and service. This warranty shall not apply to goods which have been subject to accidents, negligence or improper installation. Compass Manufacturing International will not be liable for other damages or losses, including, but not limited to: labor charges and/or damages incurred in installation, repair or replacement as well as any other kind of loss or damage. Proof of purchase from the original consumer purchaser must be made available for all warranty claims.

Compass Manufacturing International recommends using a professional plumber for all installation and repair. Compass Manufacturing International will, at its discretion, provide new or equivalent replacement parts for any product that proves to be defective under normal usage and service. Replacement parts may be obtained by emailing the address below, calling the number below or by writing to:

#### Compass Manufacturing International

Freendo Product Service

6702 Enterprise Drive

Louisville, KY 40214

800.626.3525

[warranty@cmiproduct.com](mailto:warranty@cmiproduct.com)

Revised 3/22/18

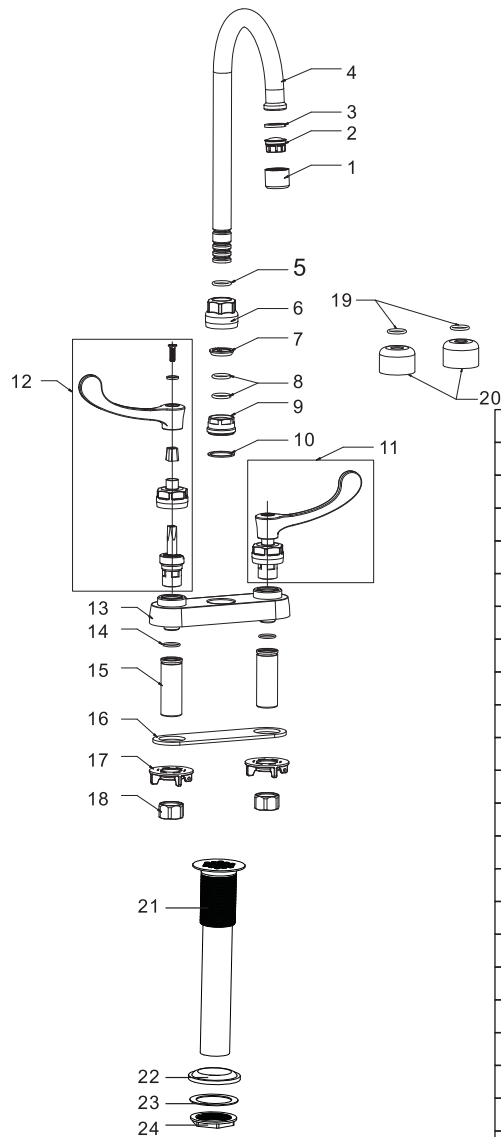
[warranty@cmiproduct.com](mailto:warranty@cmiproduct.com)

© Compass Manufacturing International

800.626.3525

# 4

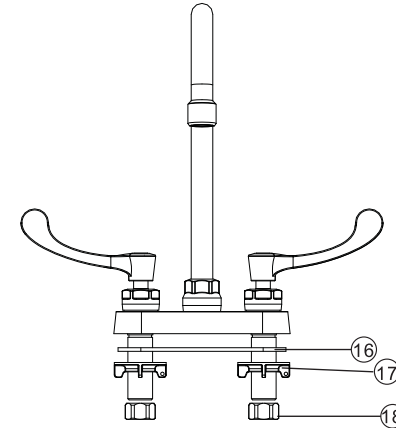
## Parts Diagram / List



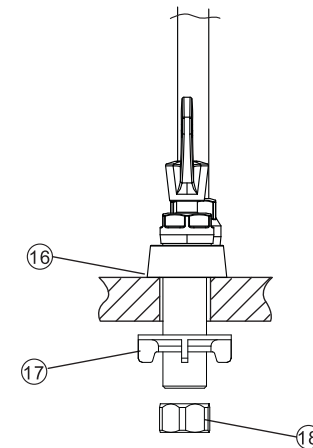
No.	Part Name
1	Aerator collar
2	Aerator core
3	O-ring
4	Spout
5	O-ring
6	Locknut
7	Rubber ring
8	O-ring
9	Nut
10	O-ring
11	Handle wheel (cold)
12	Handle wheel (hot)
13	Body
14	O-ring
15	Shank
16	Putty plate
17	Washer
18	Locknut
19	O-ring
20	Trim cap
21	Drain body
22	Top rubber washer
23	Bottom rubber washer
24	Locknut

# 1

## Preparation / Mounting



1. Shut off water supply and drain lines. Clean sink surface thoroughly. Make sure mounting area is clean and dry.
2. Remove the locknut ⑱ and washer ⑰ from faucet. Don't remove the putty plate ⑰ from faucet.

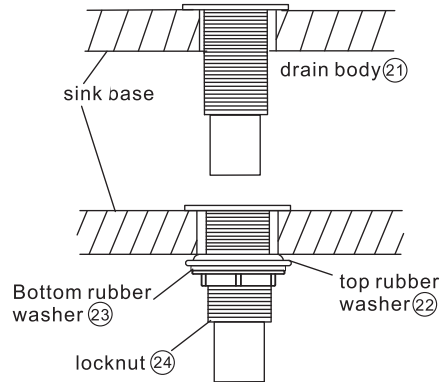


3. Position the faucet on the countertop with putty plate ⑰. Replace the washer ⑰ and locknut ⑱ on the faucet, tighten the locknut ⑱ by hand.

## 2

### Grid Drain Installation

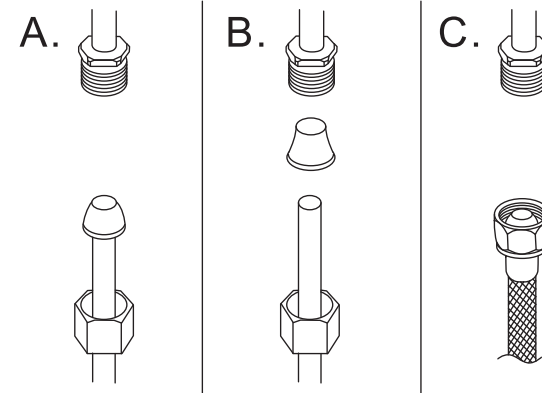
Instruction for product with drain option only



- A. Insert the drain body (21) from underneath the sink drain hole.
- B. Slide top rubber washer (22) and bottom rubber washer (23) on drain body up against bottom of sink. Tighten locknut (24) firmly against base for tight seal.

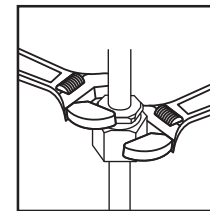
## 3

### Configuration



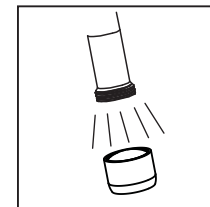
**Warning:**  
The supply valves and supply lines are not included.

- Connect to water supply lines with either:
- (A) 3/8" O.D. Copper tubing (ball nose risers with the coupling nuts or;
  - (B) 3/8" Copper tubing (no ball) with supplied tube head interior connector or;
  - (C) IPS faucet connectors(1/2")



#### Important:

Tighten connection with two wrenches to prevent damage to tube body. Be careful not to bend the stem as this will void the product warranty.



#### Important:

Remove the aerator and let both hot and cold water run for one minute. This will help clean any debris that might clog the system. Re-assemble aerator.

**Test system for leaks .**