



## LIMITED LIFETIME WARRANTY

Compass Manufacturing International warrants to the original consumer purchaser that the faucet be free from defects in material and workmanship for as long as the original consumer purchaser owns the home in which the faucet was first installed.

In the event that Freendo faucets are used in a Commercial Application, this warranty is limited for a period of 5 years, unless otherwise specifically stated in the catalog and/or price book.

Compass Manufacturing International will replace, free of charge, during the applicable warranty period, any part or finish that proves defective in material and/or workmanship under normal installation, use and service. This warranty shall not apply to goods which have been subject to accidents, negligence or improper installation. Compass Manufacturing International will not be liable for other damages or losses, including, but not limited to: labor charges and/or damages incurred in installation, repair or replacement as well as any other kind of loss or damage. Proof of purchase from the original consumer purchaser must be made available for all warranty claims.

Compass Manufacturing International recommends using a professional plumber for all installation and repair. Compass Manufacturing International will, at its discretion, provide new or equivalent replacement parts for any product that proves to be defective under normal usage and service. Replacement parts may be obtained by emailing the address below, calling the number below or by writing to:

### Compass Manufacturing International

Freendo Product Service

6702 Enterprise Drive

Louisville, KY 40214

800.626.3525

[warranty@cmiproduct.com](mailto:warranty@cmiproduct.com)

Revised 10/14/19

[warranty@cmiproduct.com](mailto:warranty@cmiproduct.com)

© Compass Manufacturing International

800.626.3525



Model No. :	192-6401	Polished Chrome
	192-6402	Brushed Nickel <i>Spotless PVD</i>
	192-6403	Oil-Rubbed Bronze
	192-7147	Matte Black
	192-7146	Matte Gold



## Cardania Two Handle Bathroom Faucet with Pop-Up



## Helpful Information

### Helpful Tools

#### Tools:

Gather the necessary tools as shown below to complete the installation of this faucet. Some may not be needed depending on the model of faucet you are installing.



Plumber's Putty  
and/or Silicone



Flashlight



Basin Wrench



Safety Glasses



Screwdriver



Pliers



Channel Locks



Adjustable Wrench

### Maintenance

Your new faucet is designed for years of trouble-free performance. Keep it looking new by cleaning it periodically with a soft, damp cloth. Avoid abrasive cleaners, steel wool and harsh chemicals as these will dull the finish and void your warranty.

### Safety Tips

- If you use soldering for the installation of the faucet, the seats, cartridges and washers will have to be removed before using flame. Otherwise, the warranty will be void on these parts.
- Protect your eyes with safety glasses when cutting or soldering water supply line.
- Cover your drain to avoid losing parts.

### Important Points

Prior to beginning installation, turn off the cold and hot water lines and turn on the old faucet to release built-up pressure. When installing your new faucet, turn the connector nuts finger tight, then use a wrench to anchor the fitting and a second wrench to tighten the nut one additional turn. Connections that are too tight can compromise the integrity of the system. Wrap all threaded connections with teflon tape. Always wrap in a clockwise direction.

## 5

## Troubleshooting

If the instructions were followed carefully and the faucet does not work properly, try these corrective steps.

Problem	Cause	Action
Leaks underneath the handle (#3).	Lock nut (#7) has come loose.	Turn off the water supplies. Remove the handle (#3) and tighten the lock nut (#7). Reinstall the handle (#3).
The water will not shut off completely.	Dirty or damaged cartridge (#10 or #11).	Turn off the water supplies. Remove the handle (#3), lock nut (#7) and cartridge (#10 or #11). Check the ceramic disk for dirt and damage. If the cartridge (#10 or #11) is dirty, soak it in warm white vinegar for 4 hours. Every 30 minutes, turn the stem on and off 10 times. If the cartridge (#10 or #11) is damaged, replace the cartridge (#10 or #11). Reinstall the cartridge (#10 or #11), lock nut (#7) and the handle (#3).
The aerator assembly (#36) leaks or has an inconsistent water flow pattern.	Aerator assembly (#36) is dirty or misaligned.	Remove the aerator assembly (#36) using the aerator wrench (#18) and check the rubber packing. If the rubber packing is misaligned, realign the rubber packing and reinstall. If the aerator assembly (#36) is dirty rinse with warm water. Reinstall or replace the aerator assembly (#36).

Have a question? DON'T GO BACK TO THE STORE, WE CAN HELP, just call 1-800-626-3525 ,8 a.m. to 5 p.m. EST Monday-Friday, or send an email to [Help@cmiproduct.com](mailto:Help@cmiproduct.com).

# 4

## Configuration

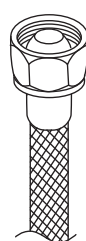
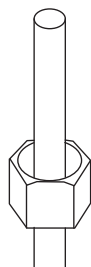
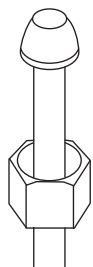
A. Faucet Shank



B. Faucet Shank



C. Faucet Shank

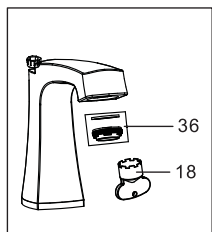


Connect to water supply lines with either:

- (A) 3/8" O.D. Copper tubing (ball nose risers with the coupling nuts or;
- (B) 3/8" Copper tubing (no ball) with supplied tube head interior connector or;
- (C) IPS faucet connectors (1/2")



**Warning:**  
The supply lines are not included.



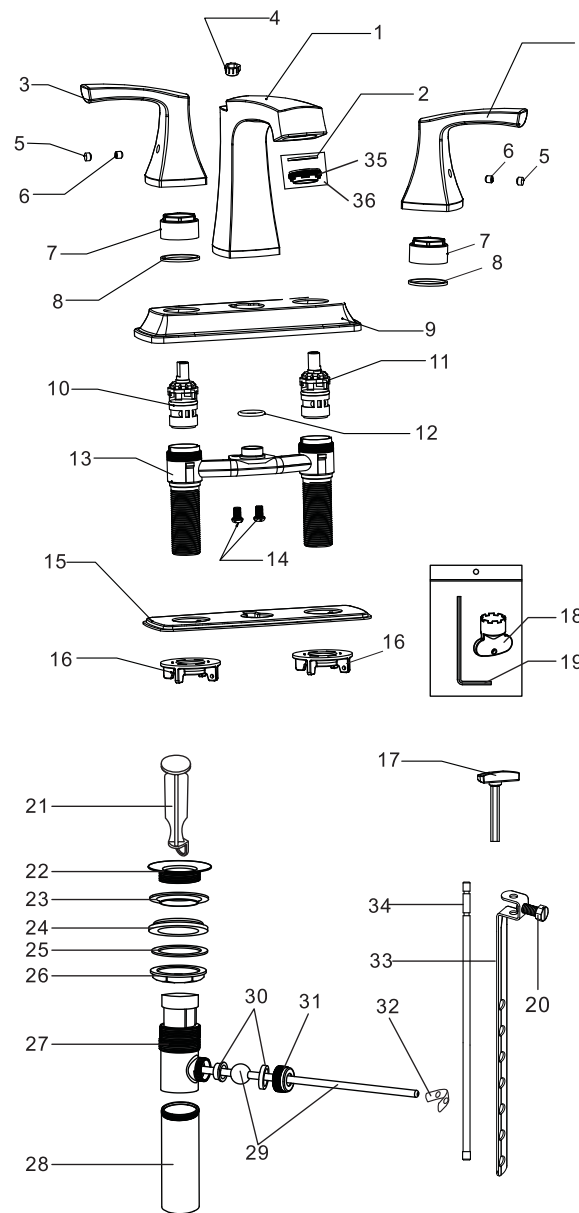
**Important:**

Remove the aerator assembly (#36), using the aerator wrench (#18) provided. Turn on the hot and cold water for one minute. This will flush any debris from the lines that might clog the system. Turn off the water and reinstall the aerator assembly (#36).

**Test system for leaks.**

# 1

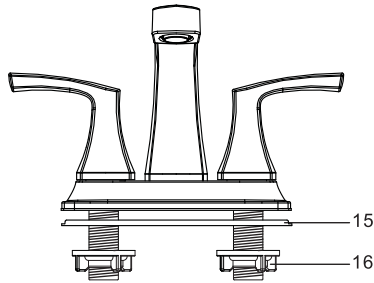
## Parts Diagram / List



No.	Part Name
1	Spout
2	Washer
3	Handle
4	Sleeve
5	Index
6	Screw
7	Lock Nut
8	Plastic Washer
9	Deck Plate
10	Cartridge (Hot)
11	Cartridge (Cold)
12	O-ring
13	Brazed Underbody
14	Screw
15	Gasket
16	Lock Nut
17	Lift Rod Knob
18	Aerator Wrench
19	Allen Wrench
20	Lift Rod Strap Screw
21	Drain Stopper
22	Flange
23	Top Rubber Washer
24	Bottom Rubber Washer
25	Washer
26	Lock Nut
27	Drain Body
28	Tailpiece
29	Ball Rod
30	Ball Rod Gasket
31	Ball Nut
32	Spring Clip
33	Lift Rod Strap
34	Lift Rod
35	Aerator
36	Aerator Assembly

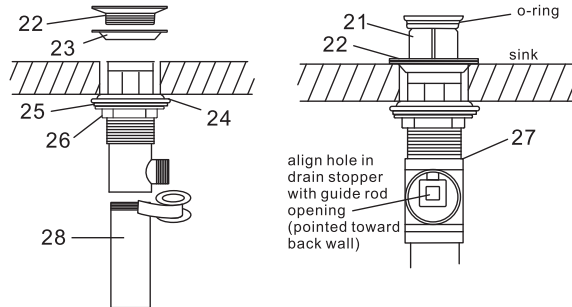
## 2

### Installation Instructions



1. Shut off the water supplies before installation. Remove the current faucet. Clean and dry the surface the new faucet will be installed on.
2. Unscrew the lock nuts (#16) from the brazed underbody (#13).
3. Place silicone sealant beneath the gasket (#15) and insert the underbody (#13) through the faucet holes.
4. Screw the lock nuts (#16) onto the underbody (#13) hand tight. Do NOT over tighten.

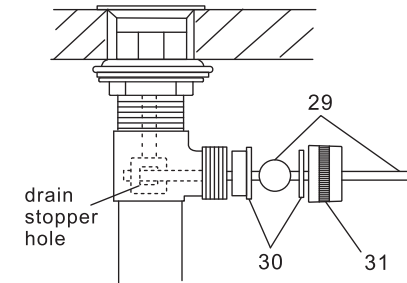
**Hint:** Have someone hold the deck plate (#9) in place while tightening.



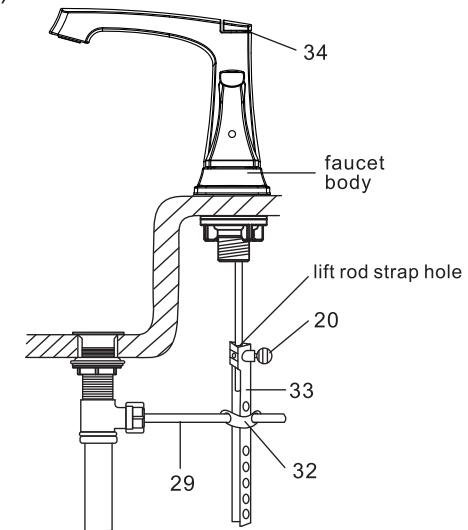
5. Disassemble the drain stopper (#21), flange (#22), and top rubber washer (#23).
6. Insert the drain body (#27) into the drain hole from under the sink. Reinstall the flange (#22) and top rubber washer (#23) to the drain body (#27) and hand tighten.
7. From under the sink, install the bottom rubber washer (#24), washer (#25) and tighten the lock nut (#26) until firmly against the sink base.
8. Disassemble the tailpiece (#28) from the drain body (#27) and apply teflon tape clockwise. Reinstall the tailpiece (#28) to the drain body (#27).
9. Reinstall the drain stopper (#21) into the drain body (#27). Ensure the O-ring is in place on the stopper and align the stopper hole with the guide rod opening as shown.

## 3

### Installation Instructions



10. Remove ball nut (#31) and ball rod gasket (#30) from the ball rod (#29). Insert ball rod (#29) into the drain body (#27) and the hole in the drain stopper (#21). Reinstall the ball rod gasket (#30) and ball nut (#31).



11. Insert lift rod (#34) through hole on faucet body. Connect ball rod (#29) to lift rod strap (#33) using spring clip (#32) to hold and adjust.
12. Attach lift rod strap (#33) to the lift rod (#34) by inserting the lift rod (#34) through the lift rod strap (#33) hole. Adjust the lift rod (#34) to the correct height and hand tighten the lift rod strap screw (#20).