



LIMITED LIFETIME WARRANTY

Compass Manufacturing International warrants to the original consumer purchaser that the faucet be free from defects in material and workmanship for as long as the original consumer purchaser owns the home in which the faucet was first installed.

In the event that Freendo faucets are used in a Commercial Application, this warranty is limited for a period of 5 years, unless otherwise specifically stated in the catalog and/or price book.

Compass Manufacturing International will replace, free of charge, during the applicable warranty period, any part or finish that proves defective in material and/or workmanship under normal installation, use and service. This warranty shall not apply to goods which have been subject to accidents, negligence or improper installation. Compass Manufacturing International will not be liable for other damages or losses, including, but not limited to: labor charges and/or damages incurred in installation, repair or replacement as well as any other kind of loss or damage. Proof of purchase from the original consumer purchaser must be made available for all warranty claims.

Compass Manufacturing International recommends using a professional plumber for all installation and repair. Compass Manufacturing International will, at its discretion, provide new or equivalent replacement parts for any product that proves to be defective under normal usage and service. Replacement parts may be obtained by emailing the address below, calling the number below or by writing to:

Compass Manufacturing International

Freendo Product Service

6702 Enterprise Drive

Louisville, KY 40214

800.626.3525

warranty@cmiproduct.com

Revised 5/2/17

warranty@cmiproduct.com

© Compass Manufacturing International

800.626.3525



Model No. : 192-6468 Polished Chrome
192-6469 Brushed Nickel *Spotless PVD*[™]
192-7161 Matte Black
192-7160 Matte Gold



Casmir Single Handle Pull Out Kitchen Faucet

3 Hole or Single Hole Installation



Helpful Information

Helpful Tools

Tools:

Gather the necessary tools as shown below to complete the installation of this faucet. Some may not be needed depending on the model of faucet you are installing.



Plumber's Putty
and/or Silicone



Flashlight



Basin Wrench



Safety Glasses



Screwdriver



Pliers



Channel Locks



Adjustable Wrench

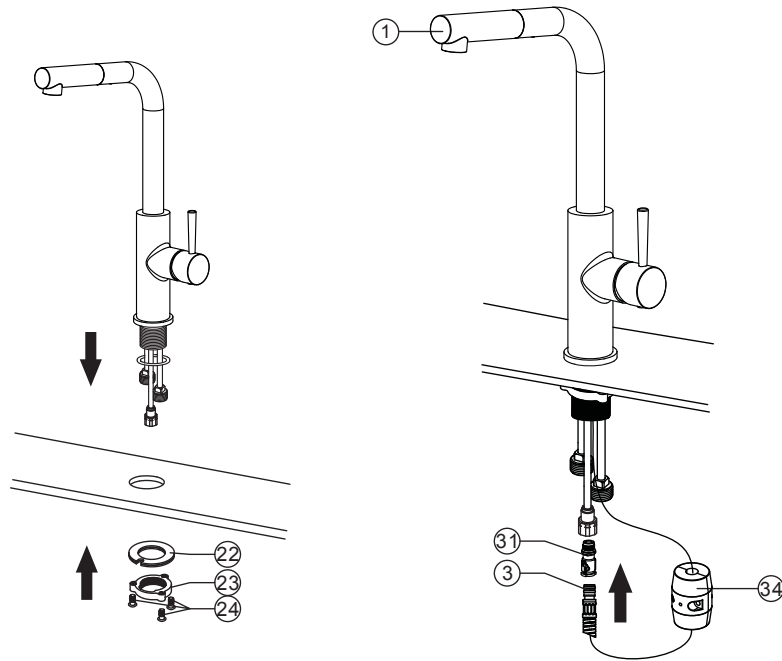
5

Parts List

18	Index	36	Ring
17	Set Screw	35	Allen Key
16	Handle	34	Weight
15	Trim Cap	33	Under-plate Seal
14	Cartridge Locknut	32	Deck Plate
13	Cartridge	31	Quick Connect Assembly
12	Screw	30	Stop Valve
11	Cartridge Base	29	Outlet Tube
10	Body	28	Copper Tube (Cold)
9	Retainer	27	Copper Tube (Hot)
8	Connector	26	O-ring
7	Ring	25	Protective Sleeve
6	O-ring	24	Screw
5	Spout	23	Locknut
4	Hose Guide	22	Clamp
3	Pull-out Hose	21	Shank
2	Check Valve	20	O-ring
1	Spray	19	Base
No.	Part Name	No.	Part Name

2

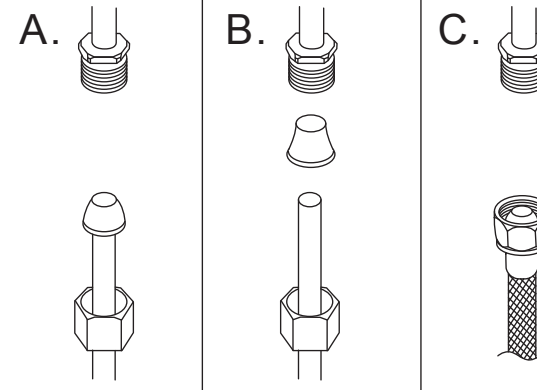
Install Without Deck Plate



1. Position faucet on countertop.
2. From underneath the countertop, assemble clamp ②② and locknut ②③ and screw ②④. Tighten the locknut by hand and secure the screws with the screwdriver.
3. Connect pull-out hose ③ to quick connect assembly ③①.
CAUTION: Make sure hose is properly engaged and secure in quick connect assembly.
4. Fix the weight ③④ to the pull-out hose ③.
5. Connect supply lines to water supply valve. (supply valves and supply lines are not included).
CAUTION: DON'T OVER TIGHTEN THE SUPPLY LINES. OTHERWISE IT MAY DAMAGE THE WASHERS AND NUTS OF THE SUPPLY LINES AND THIS COULD CAUSE THEM TO LEAK.
6. Remove spray ① from faucet and flush water through faucet to remove any debris.
7. Replace spray ⑤ and run water through the faucet to check for leaks at all of the connections.

3

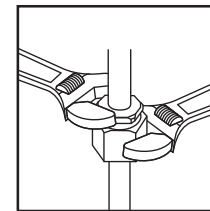
Configuration



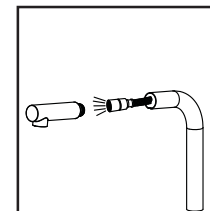
Warning:
The supply valves and supply lines are not included.

Connect to water supply lines with either:

- (A) 3/8" O.D. Copper tubing (ball nose risers with the coupling nuts or;
 (B) 3/8" Copper tubing (no ball) with supplied tube head interior connector or;
 (C) IPS faucet connectors (1/2")

**Important:**

Tighten connection with two wrenches to prevent damage to tube body. Be careful not to bend the stem as this will void the product warranty.

**Important:**

Let both hot and cold water run for one minute. This will help clean any debris that might clog the system.

Test system for leaks .