



LIMITED LIFETIME WARRANTY

Compass Manufacturing International warrants to the original consumer purchaser that the faucet be free from defects in material and workmanship for as long as the original consumer purchaser owns the home in which the faucet was first installed.

In the event that Freendo faucets are used in a Commercial Application, this warranty is limited for a period of 5 years, unless otherwise specifically stated in the catalog and/or price book.

Compass Manufacturing International will replace, free of charge, during the applicable warranty period, any part or finish that proves defective in material and/or workmanship under normal installation, use and service. This warranty shall not apply to goods which have been subject to accidents, negligence or improper installation. Compass Manufacturing International will not be liable for other damages or losses, including, but not limited to: labor charges and/or damages incurred in installation, repair or replacement as well as any other kind of loss or damage. Proof of purchase from the original consumer purchaser must be made available for all warranty claims.

Compass Manufacturing International recommends using a professional plumber for all installation and repair. Compass Manufacturing International will, at its discretion, provide new or equivalent replacement parts for any product that proves to be defective under normal usage and service. Replacement parts may be obtained by emailing the address below, calling the number below or by writing to:

Compass Manufacturing International

Freendo Product Service

6702 Enterprise Drive

Louisville, KY 40214

800.626.3525

warranty@cmiproduct.com

Revised 09/23/24

warranty@cmiproduct.com

© Compass Manufacturing International

800.626.3525



Model No. : 192-6483 Polished Chrome
192-6484 Brushed Nickel *Spotless PVD*[™]
192-7169 Matte Black
192-7168 Matte Gold



Casmir Single Handle High Arc Pull-Down Kitchen Faucet

3 Hole or Single Hole Installation



Helpful Information

Helpful Tools

Tools:

Gather the necessary tools as shown below to complete the installation of this faucet. Some may not be needed depending on the model of faucet you are installing.



Plumber's Putty
and/or Silicone



Flashlight



Basin Wrench



Safety Glasses



Screwdriver



Pliers



Channel Locks



Adjustable Wrench

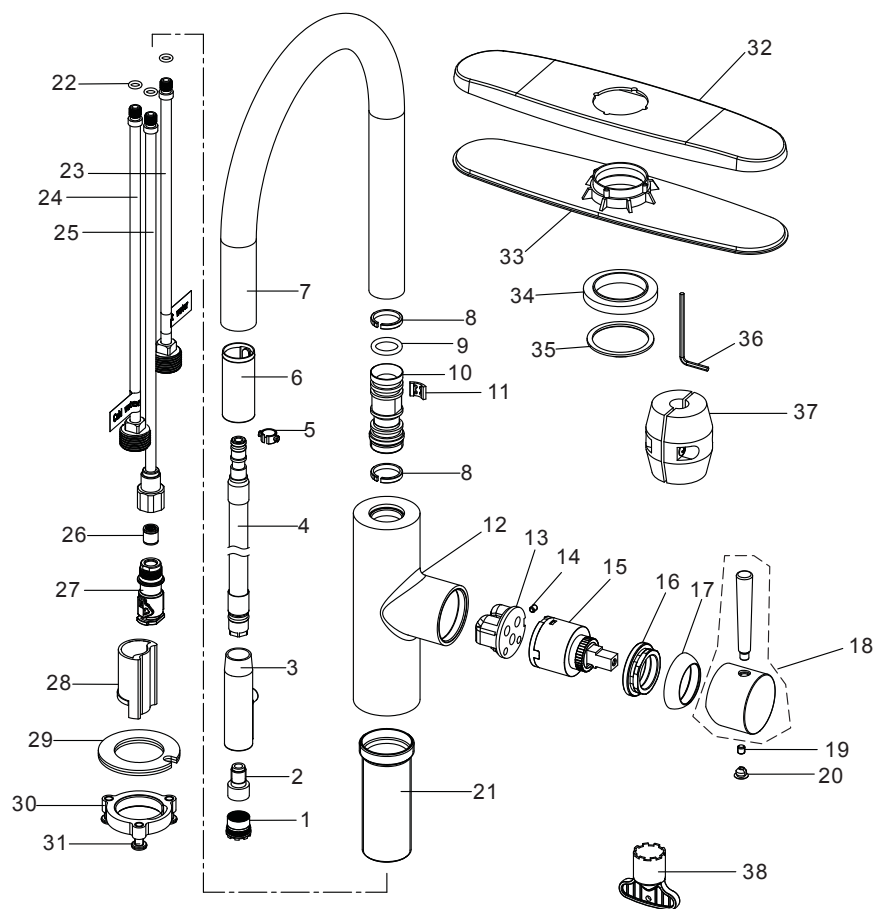
5

Parts List

19	Set Screw	38	Aerator Wrench
18	Handle	37	Weight
17	Trim Cap	36	Allen Key
16	Cartridge Locknut	35	O-ring
15	Cartridge	34	Base
14	Screw	33	Under-plate Seal
13	Cartridge Base	32	Deck Plate
12	Body	31	Screw
11	Retainer	30	Locknut
10	Connector	29	Clamp
9	O-ring	28	Protective Sleeve
8	Ring	27	Quick Connect Assembly
7	Spout	26	Stop Valve
6	Sleeve	25	Outlet Tube
5	Ring	24	Copper Tube (Cold)
4	Pull-out Hose	23	Copper Tube (Hot)
3	Spout	22	O-ring
2	Connector	21	Shank
1	Aerator	20	Index
No.	Part Name	No.	Part Name

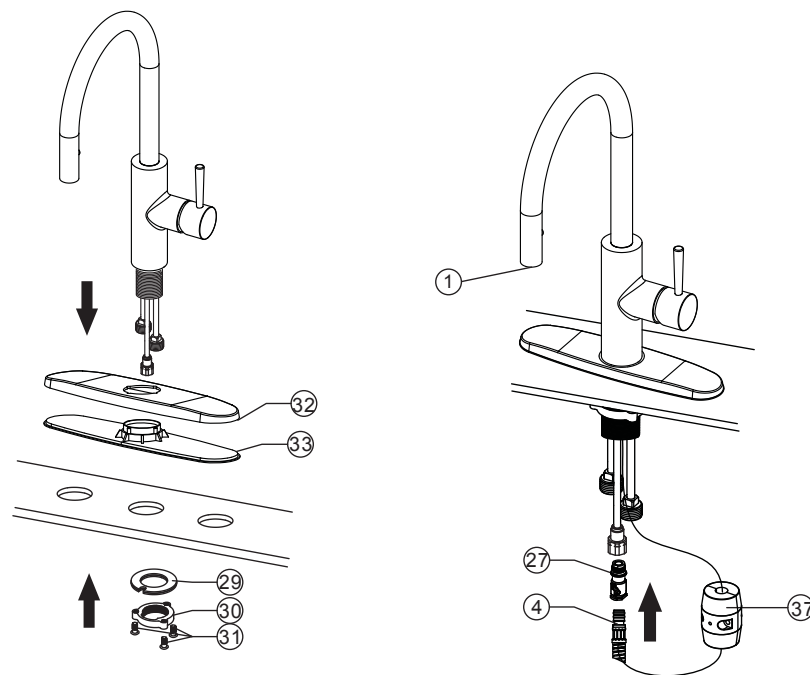
4

Parts Diagram



1

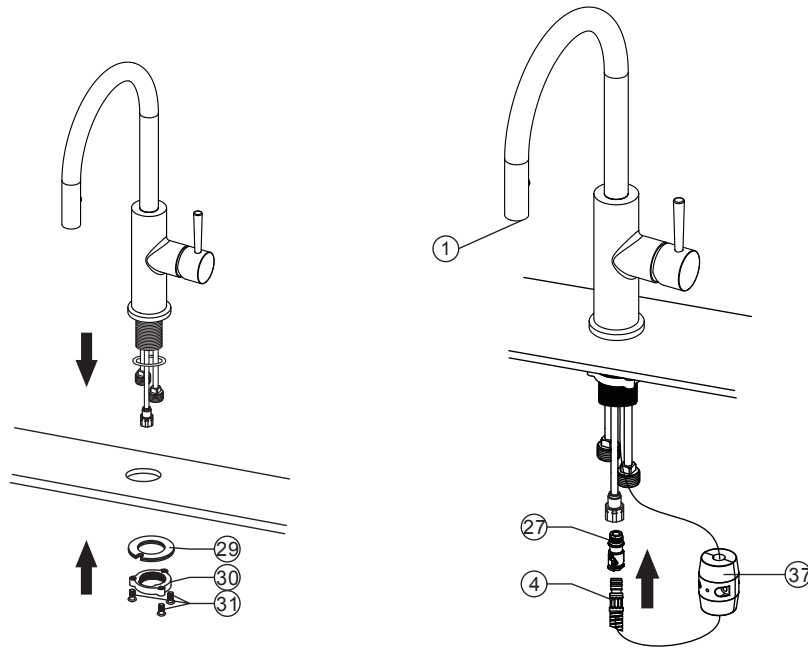
Install With Deck Plate



1. Assemble deck plate ③② and under-plate seal ③③ to faucet.
2. Position faucet on countertop.
3. From underneath the countertop, assemble clamp ②⑨ and locknut ③⑩ and screw ③⑪. Tighten the locknut by hand and secure the screws with the screwdriver.
4. Connect pull-out hose ④ to quick connect assembly ②⑦.
CAUTION: Make sure hose is properly engaged and secure in quick connect assembly.
5. Fix the weight ③⑦ to the pull-out hose ④.
6. Connect supply lines to water supply valve. (supply valves and supply lines are not included).
CAUTION: DON'T OVER TIGHTEN THE SUPPLY LINES. OTHERWISE IT MAY DAMAGE THE WASHERS AND NUTS OF THE SUPPLY LINES AND THIS COULD CAUSE THEM TO LEAK.
7. Remove aerator ① with the aerator wrench from faucet and flush water through faucet to remove any debris.
8. Replace aerator ① with the aerator wrench and run water, (see below) through the faucet, checking for leaks at all of the connections.

2

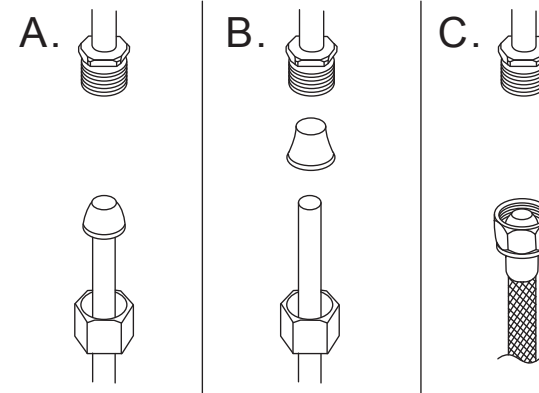
Install Without Deck Plate



1. Position faucet on countertop.
2. From underneath the countertop, assemble clamp ②⑨ and locknut ③① and screw ③①. Tighten the locknut by hand and secure the screws with the screwdriver.
3. Connect pull-out hose ④ to quick connect assembly ②⑦.
CAUTION: Make sure hose is properly engaged and secure in quick connect assembly.
4. Fix the weight ③⑦ to the pull-out hose ④.
5. Connect supply lines to water supply valve. (supply valves and supply lines are not included).
CAUTION: DON'T OVER TIGHTEN THE SUPPLY LINES. OTHERWISE IT MAY DAMAGE THE WASHERS AND NUTS OF THE SUPPLY LINES AND THIS COULD CAUSE THEM TO LEAK.
6. Remove aerator ① with the aerator wrench from faucet and flush water through faucet to remove any debris.
7. Replace aerator ① with the aerator wrench and run water, (see below) through the faucet, checking for leaks at all of the connections.

3

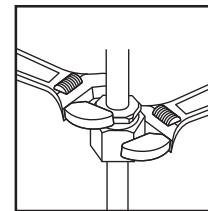
Configuration



Warning:
The supply valves and supply lines are not included.

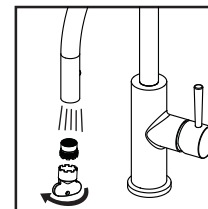
Connect to water supply lines with either:

- (A) 3/8" O.D. Copper tubing (ball nose risers with the coupling nuts or;
(B) 3/8" Copper tubing (no ball) with supplied tube head interior connector or;
(C) IPS faucet connectors (1/2")



Important:

Tighten connection with two wrenches to prevent damage to tube body. Be careful not to bend the stem as this will void the product warranty.



Important:

Let both hot and cold water run for one minute. This will help clean any debris that might clog the system.

Test system for leaks .