



## LIMITED LIFETIME WARRANTY

Compass Manufacturing International warrants to the original consumer purchaser that the faucet be free from defects in material and workmanship for as long as the original consumer purchaser owns the home in which the faucet was first installed.

In the event that Freendo faucets are used in a Commercial Application, this warranty is limited for a period of 5 years, unless otherwise specifically stated in the catalog and/or price book.

Compass Manufacturing International will replace, free of charge, during the applicable warranty period, any part or finish that proves defective in material and/or workmanship under normal installation, use and service. This warranty shall not apply to goods which have been subject to accidents, negligence or improper installation. Compass Manufacturing International will not be liable for other damages or losses, including, but not limited to: labor charges and/or damages incurred in installation, repair or replacement as well as any other kind of loss or damage. Proof of purchase from the original consumer purchaser must be made available for all warranty claims.

Compass Manufacturing International recommends using a professional plumber for all installation and repair. Compass Manufacturing International will, at its discretion, provide new or equivalent replacement parts for any product that proves to be defective under normal usage and service. Replacement parts may be obtained by emailing the address below, calling the number below or by writing to:

**Compass Manufacturing International**  
Freendo Product Service  
6702 Enterprise Drive  
Louisville, KY 40214  
800.626.3525  
[warranty@cmiproduct.com](mailto:warranty@cmiproduct.com)

Revised 09/23/24

[warranty@cmiproduct.com](mailto:warranty@cmiproduct.com)

© Compass Manufacturing International

800.626.3525



Model No. : 192-6504 Polished Chrome  
192-6505 Brushed Nickel Spotless PVD  
192-7171 Matte Black  
192-7170 Matte Gold



**Casmir Single Handle Bar Faucet**  
Single Hole Installation



## Helpful Information

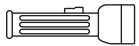
### Helpful Tools

#### Tools:

Gather the necessary tools as shown below to complete the installation of this faucet. Some may not be needed depending on the model of faucet you are installing.



Plumber's Putty  
and/or Silicone



Flashlight



Basin Wrench



Safety Glasses



Screwdriver



Pliers



Channel Locks



Adjustable Wrench

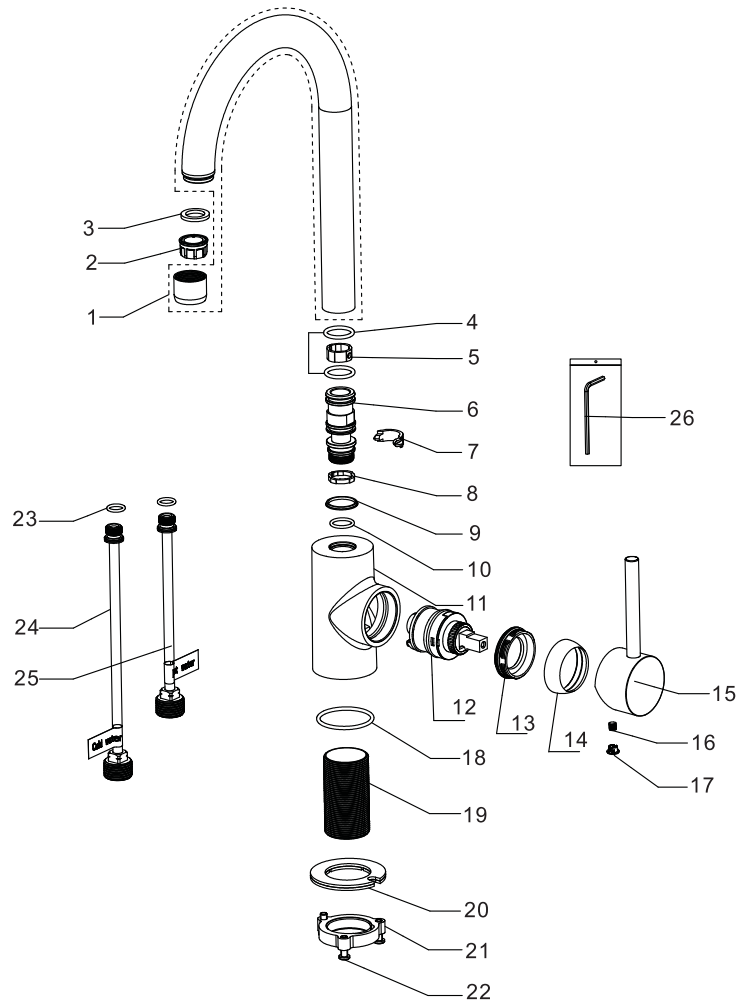
# 5

## Parts List

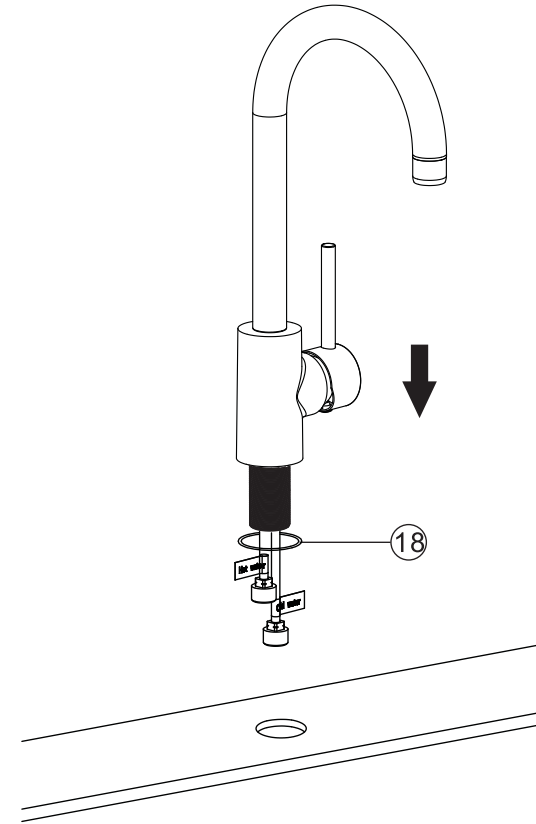
26	Allen key
25	Copper Tube (Cold)
24	Copper Tube (Hot)
23	O-ring
22	Screw
21	Locknut
20	Clamp
19	Shank
18	O-ring
17	Index
16	Set Screw
15	Handle
14	Trim Cap
13	Cartridge Locknut
12	Cartridge
11	Body
10	O-ring
9	Wearing ring
8	Retainer
7	Retainer
6	Connector
5	Retainer
4	O-ring
3	O-ring
2	Aerator Core
1	Spout
<b>No.</b>	<b>Part Name</b>

**4**

## Parts Diagram

**1**

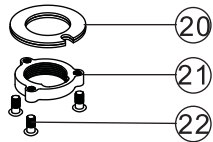
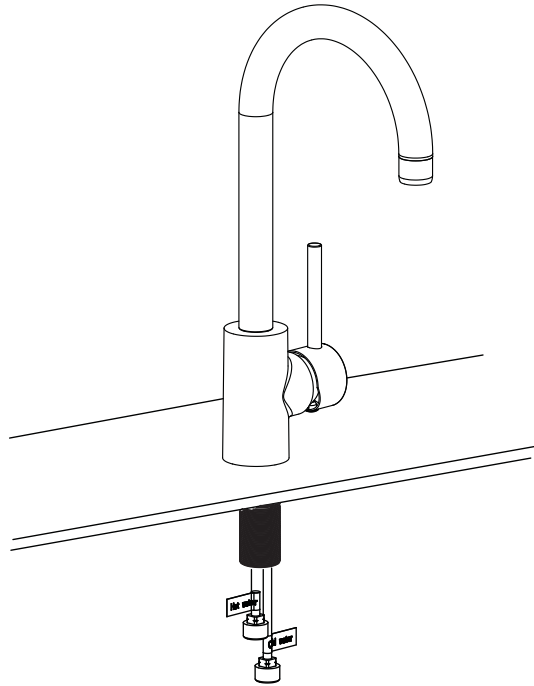
## Faucet Installation



1. Position the faucet in order on the countertop as shown. Don't forget the O-ring ⑱.

**2**

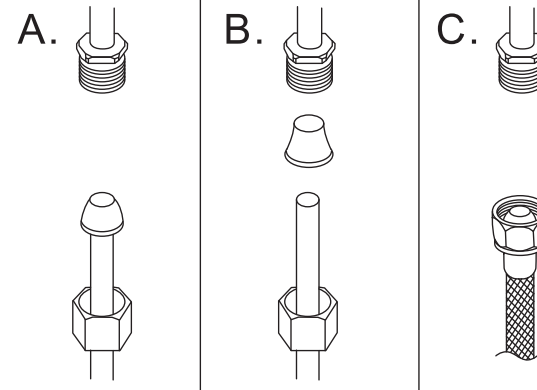
## Faucet Installation



2. Assemble clamp (20) and locknut (21) to faucet shank by hand and tighten the screws (22) with the screwdriver.

**3**

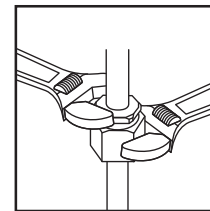
## Configuration



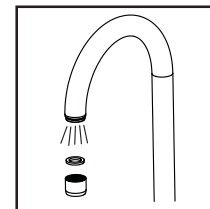
**Warning:**  
The supply valves and supply lines are not included.

Connect to water supply lines with either:

- (A) 3/8" O.D. Copper tubing (ball nose risers with the coupling nuts or;
- (B) 3/8" Copper tubing (no ball) with supplied tube head interior connector or;
- (C) IPS faucet connectors (1/2")

**Important:**

Tighten connection with two wrenches to prevent damage to tube body. Be careful not to bend the stem as this will void the product warranty.

**Important:**

Let both hot and cold water run for one minute. This will help clean any debris that might clog the system.

**Test system for leaks .**