



LIMITED LIFETIME WARRANTY

Compass Manufacturing International warrants to the original consumer purchaser that the faucet be free from defects in material and workmanship for as long as the original consumer purchaser owns the home in which the faucet was first installed.

In the event that Freendo faucets are used in a Commercial Application, this warranty is limited for a period of 5 years, unless otherwise specifically stated in the catalog and/or price book.

Compass Manufacturing International will replace, free of charge, during the applicable warranty period, any part or finish that proves defective in material and/or workmanship under normal installation, use and service. This warranty shall not apply to goods which have been subject to accidents, negligence or improper installation. Compass Manufacturing International will not be liable for other damages or losses, including, but not limited to: labor charges and/or damages incurred in installation, repair or replacement as well as any other kind of loss or damage. Proof of purchase from the original consumer purchaser must be made available for all warranty claims.

Compass Manufacturing International recommends using a professional plumber for all installation and repair. Compass Manufacturing International will, at its discretion, provide replacement parts for installation by consumer for any parts that prove defective under normal usage and service with new or equivalent parts. Replacement parts may be obtained by emailing the address below, calling the number below or by writing to:

Compass Manufacturing International

Freendo Product Service

6702 Enterprise Drive

Louisville, KY 40214

800.626.3525

warranty@cmiproduct.com

Revised 09/24/24

warranty@cmiproduct.com

© Compass Manufacturing International

800.626.3525



Model No. : 191-6600 Polished Chrome
191-6601 Brushed Nickel *Spotless PVD*
191-6639 Oil-Rubbed Bronze
192-8061 Matte Black



Single Handle Pull-Down Kitchen Faucet

3 Hole or Single Hole Installation



Helpful Information

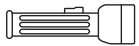
Helpful Tools

Tools:

Gather the necessary tools as shown below to complete the installation of this faucet. Some may not be needed depending on the model of faucet you are installing. Check with your local hardware store on the requirements of your installation situation.



Plumber's Putty



Flashlight



Basin Wrench



Safety Glasses



Screwdriver



Pliers



Channel Locks



Adjustable Wrench

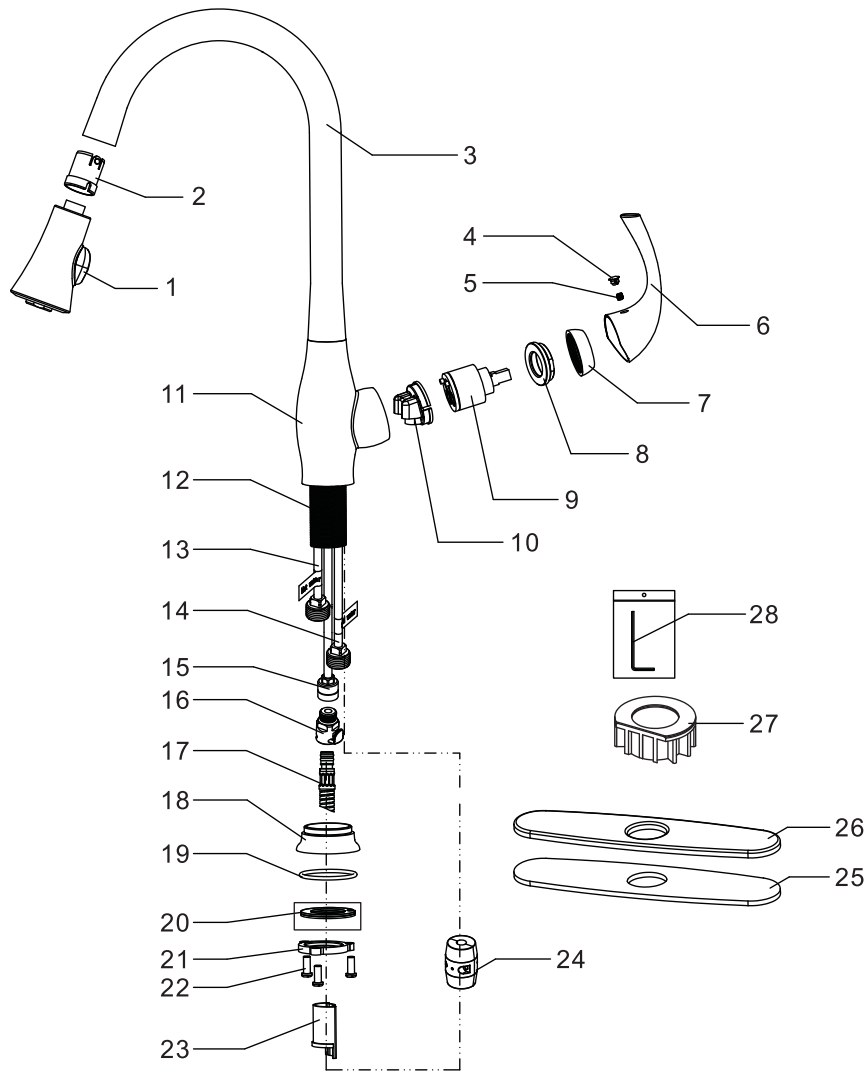
5

Parts List

28	Allen Key
27	Plastic Base
26	Deck Plate
25	Putty Plate
24	Weight
23	Protective Sleeve
22	Screw
21	Locknut
20	Clamp
19	O-ring
18	Hub Base
17	Pull-Out Hose
16	Quick Connect Assembly
15	Copper Tube
14	Copper Tube
13	Copper Tube
12	Shank
11	Body
10	Cartridge Seat
9	Cartridge
8	Cartridge Locknut
7	Trim Cap
6	Handle
5	Set Screw
4	Index
3	Spout
2	Spout Hub Bushing
1	Spray
No.	Part Name

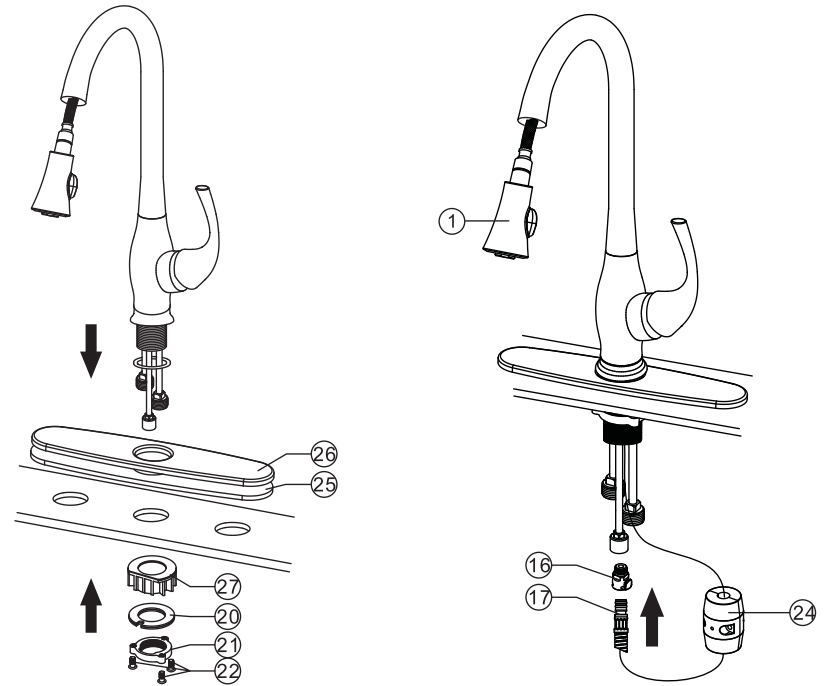
4

Parts Diagram



1

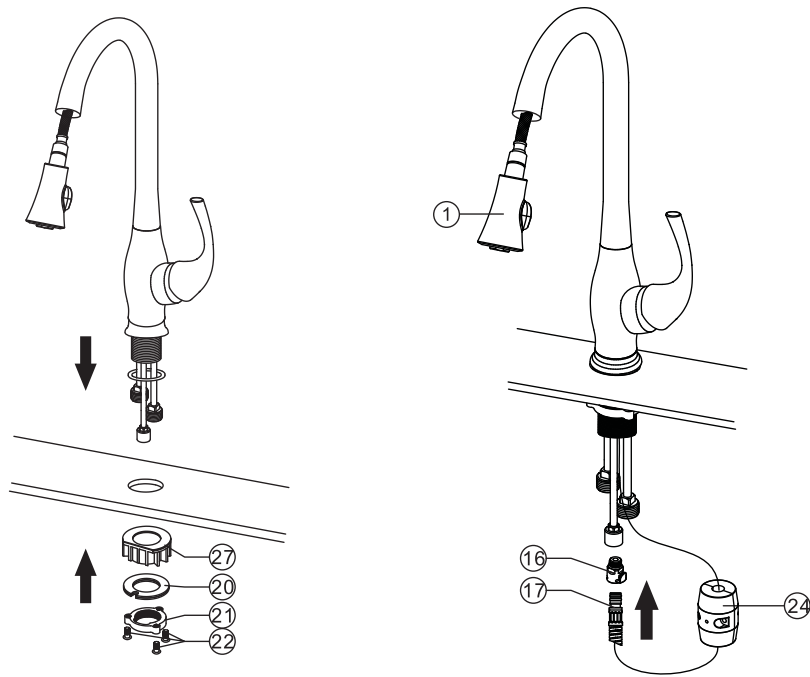
Install With Deck Plate



1. Assemble deck plate ②⑥ and putty plate ②⑤ to faucet.
2. Position faucet on countertop.
3. From underneath the countertop, assemble plastic base ②⑦ (NOTE: applicable when the faucet is installed in sink), clamp ②⑩ and locknut ②⑪ and screw ②⑫. Tighten the locknut by hand and secure the screws with screwdriver.
4. Connect pull-out hose ①⑦ to quick connect assembly ①⑥.
CAUTION: Make sure hose is properly engaged and secure in quick connect assembly.
5. Fix the weight ②④ to the pull-out hose ①⑦.
6. Connect supply lines to water supply valve. (supply valves and supply lines are not included, please purchase them in local plumbing shops).
CAUTION: DON'T OVER TIGHTEN THE SUPPLY LINES. OTHERWISE IT MIGHT DAMAGE THE WASHERS AND NUTS OF SUPPLY LINES AND CAUSE LEAK.
7. Remove spray ① and flush water through faucet to remove any line trash.
8. Replace spray ① and run water through faucet for checking leaks at all connections.

2

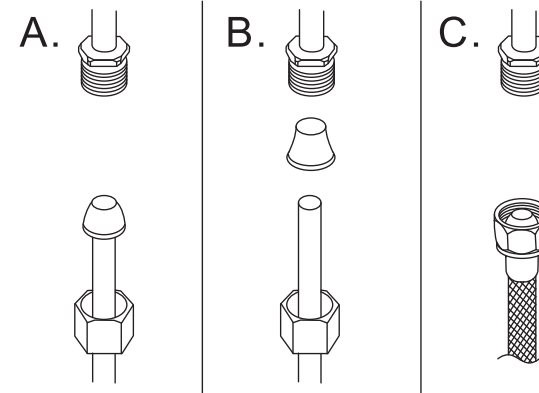
Install Without Deck Plate



1. Position faucet on countertop.
2. From underneath the countertop, assemble plastic base (27) (NOTE: applicable when the faucet is installed in sink), clamp (20) and locknut (21) and screw (22). Tighten the locknut by hand and secure the screws with screwdriver.
3. Connect pull-out hose (17) to quick connect assembly (16).
CAUTION: Make sure hose is properly engaged and secure in quick connect assembly.
4. Fix the weight (24) to the pull-out hose (17).
5. Connect supply lines to water supply valve. (supply valves and supply lines are not included, please purchase them in local plumbing shops).
CAUTION: DON'T OVER TIGHTEN THE SUPPLY LINES. OTHERWISE IT MIGHT DAMAGE THE WASHERS AND NUTS OF SUPPLY LINES AND CAUSE LEAK.
6. Remove spray (1) from faucet and flush water through faucet to remove any line trash.
7. Replace spray (1) and run water through faucet for checking leaks at all connections.

3

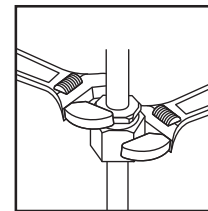
Configuration



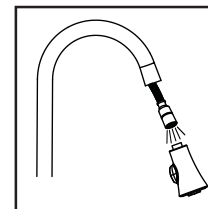
Warning:
The supply valves and supply lines are not included.

Connect to water supply lines with either:

- (A) 3/8" O.D. Copper tubing (ball nose risers with the coupling nuts or;
(B) 3/8" Copper tubing (no ball) with supplied tube head interior connector or;
(C) IPS faucet connectors (1/2")

**Important:**

Tighten connection with two wrench to prevent damage to tube body. Be careful not to bend the stem as this will void the product warranty.

**Important:**

Remove the Sprayer and let both hot and cold water run for one minute. To clear any line trash. This will help clean any debris that might clog the system. Re-assemble Sprayer.

Test system for leaks .