



LIMITED LIFETIME WARRANTY

Compass Manufacturing International warrants to the original consumer purchaser that the faucet be free from defects in material and workmanship for as long as the original consumer purchaser owns the home in which the faucet was first installed.

In the event that Freendo faucets are used in a Commercial Application, this warranty is limited for a period of 5 years, unless otherwise specifically stated in the catalog and/or price book.

Compass Manufacturing International will replace, free of charge, during the applicable warranty period, any part or finish that proves defective in material and/or workmanship under normal installation, use and service. This warranty shall not apply to goods which have been subject to accidents, negligence or improper installation. Compass Manufacturing International will not be liable for other damages or losses, including, but not limited to: labor charges and/or damages incurred in installation, repair or replacement as well as any other kind of loss or damage. Proof of purchase from the original consumer purchaser must be made available for all warranty claims.

Compass Manufacturing International recommends using a professional plumber for all installation and repair. Compass Manufacturing International will, at its discretion, provide new or equivalent replacement parts for any product that proves to be defective under normal usage and service. Replacement parts may be obtained by emailing the address below, calling the number below or by writing to:

Compass Manufacturing International

Freendo Product Service

6702 Enterprise Drive

Louisville, KY 40214

800.626.3525

warranty@cmiproduct.com

Revised 09/24/24

warranty@cmiproduct.com

© Compass Manufacturing International

800.626.3525



Model No. : 192-6465 Polished Chrome
192-6466 Brushed Nickel *Spotless PVD*[™]
192-6467 Oil-Rubbed Bronze
192-8064 Matte Black



Majestic Handle High Arc Pull-Down Kitchen Faucet

3 Hole or Single Hole Installation



Helpful Information

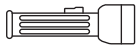
Helpful Tools

Tools:

Gather the necessary tools as shown below to complete the installation of this faucet. Some may not be needed depending on the model of faucet you are installing.



Plumber's Putty
and/or Silicone



Flashlight



Basin Wrench



Safety Glasses



Screwdriver



Pliers



Channel Locks



Adjustable Wrench

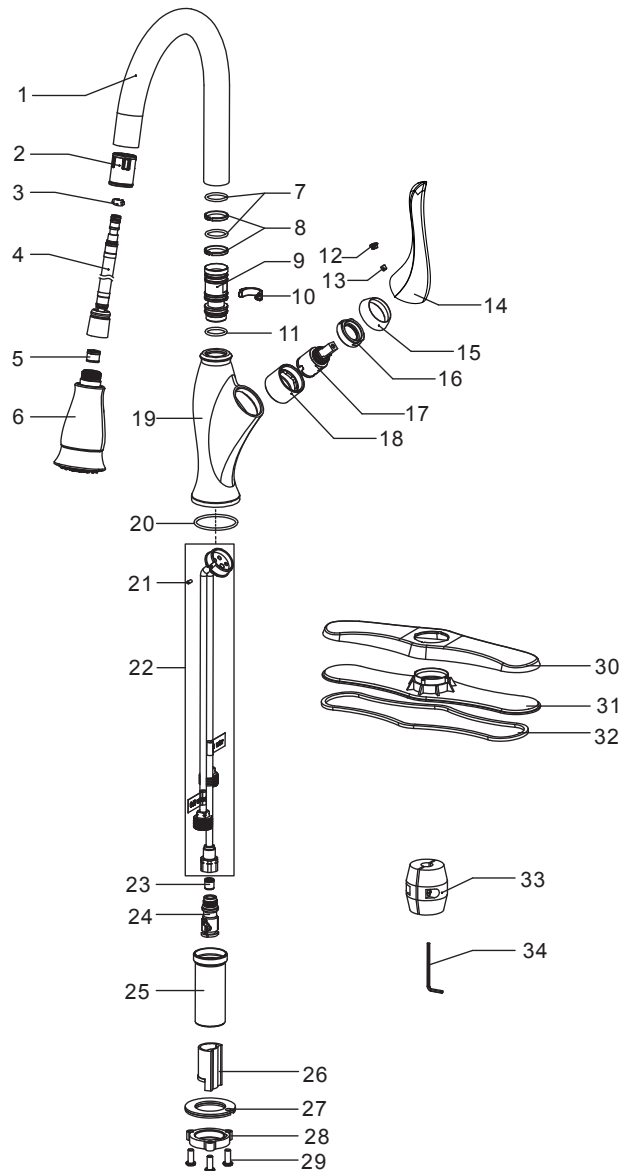
5

Parts List

| | |
|------------|------------------------|
| 34 | Allen Key |
| 33 | Weight |
| 32 | Under-plate Seal |
| 31 | Under-plate |
| 30 | Deck Plate |
| 29 | Screw |
| 28 | Locknut |
| 27 | Clamp |
| 26 | Protective Sleeve |
| 25 | Shank |
| 24 | Quick Connect Assembly |
| 23 | Stop Valve |
| 22 | Assembly |
| 21 | Screw |
| 20 | O-ring |
| 19 | Body |
| 18 | Cartridge Base |
| 17 | Cartridge |
| 16 | Cartridge Locknut |
| 15 | Trim Cap |
| 14 | Handle |
| 13 | Set Screw |
| 12 | Index |
| 11 | O-ring |
| 10 | Retainer |
| 9 | Connector |
| 8 | Ring |
| 7 | O-ring |
| 6 | Spray |
| 5 | Stop Valve |
| 4 | Pull-out Hose |
| 3 | Ring |
| 2 | Hose Guide |
| 1 | Spout |
| No. | Part Name |

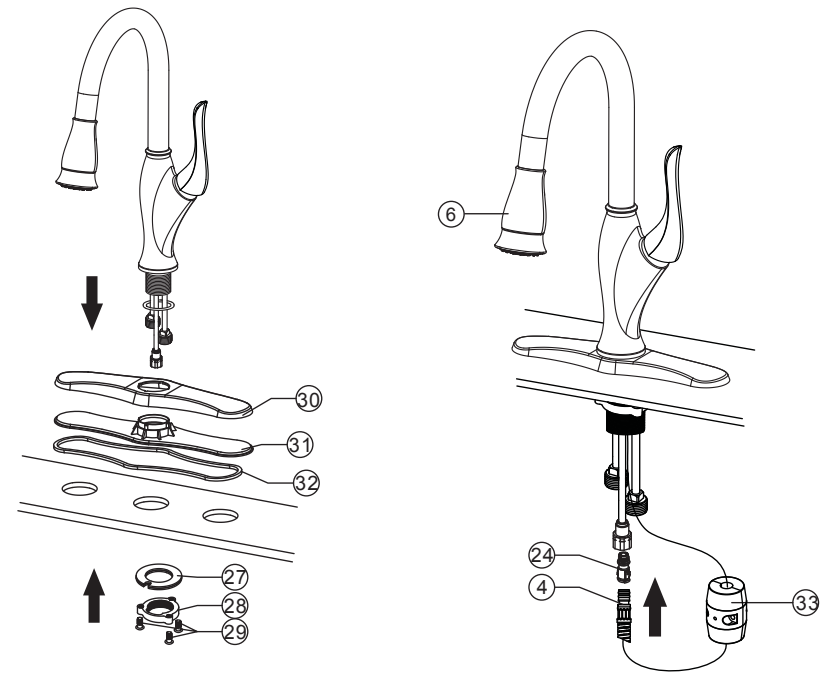
4

Parts Diagram



1

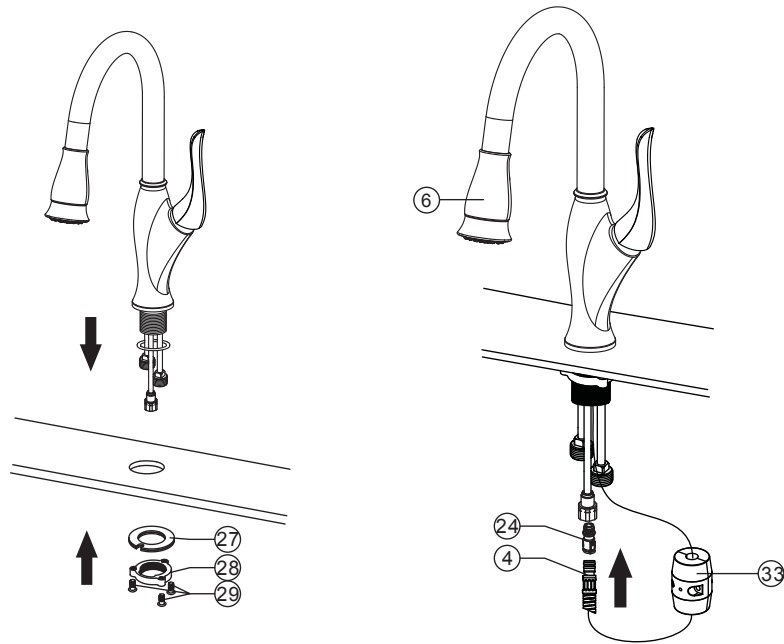
Install With Deck Plate



1. Assemble deck plate ③①, under-plate ③② and under-plate seal ③③ to faucet.
2. Position faucet on countertop.
3. From underneath the countertop, assemble clamp ②⑦ and locknut ②⑧ and screw ②⑨. Tighten the locknut by hand and secure the screws with the screwdriver.
4. Connect pull-out hose ④ to quick connect assembly ②④.
CAUTION: Make sure hose is properly engaged and secure in quick connect assembly.
5. Fix the weight ③③ to the pull-out hose ④.
6. Connect supply lines to water supply valve. (supply valves and supply lines are not included).
CAUTION: DON'T OVER TIGHTEN THE SUPPLY LINES. OTHERWISE IT MAY DAMAGE THE WASHERS AND NUTS OF THE SUPPLY LINES AND THIS COULD CAUSE THEM TO LEAK.
7. Remove spray ⑥ from faucet and flush water through faucet to remove any debris.
8. Replace spray ⑥ and run water through the faucet to check for leaks at all of the connections.

2

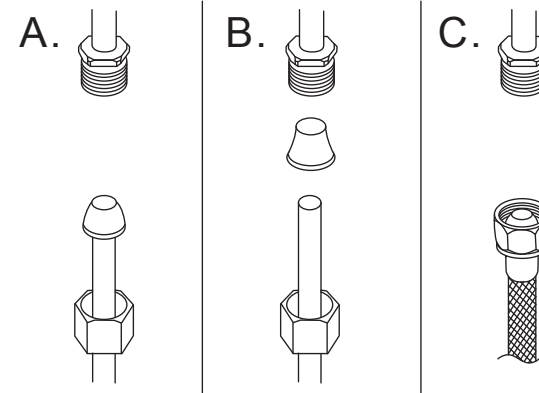
Install Without Deck Plate



1. Position faucet on countertop.
2. From underneath the countertop, assemble clamp ⑳ and locknut ㉘ and screw ㉙. Tighten the locknut by hand and secure the screws with the screwdriver.
3. Connect pull-out hose ④ to quick connect assembly ㉔.
CAUTION: Make sure hose is properly engaged and secure in quick connect assembly.
4. Fix the weight ㉓ to the pull-out hose ④.
5. Connect supply lines to water supply valve. (supply valves and supply lines are not included).
CAUTION: DON'T OVER TIGHTEN THE SUPPLY LINES. OTHERWISE IT MAY DAMAGE THE WASHERS AND NUTS OF THE SUPPLY LINES AND THIS COULD CAUSE THEM TO LEAK.
6. Remove spray ⑥ from faucet and flush water through faucet to remove any debris.
7. Replace spray ⑥ and run water through the faucet to check for leaks at all of the connections.

3

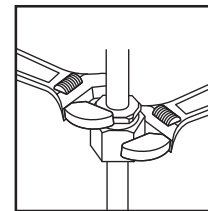
Configuration



Warning:
The supply valves and supply lines are not included.

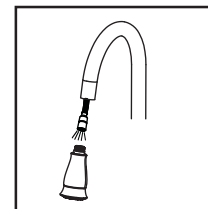
Connect to water supply lines with either:

- (A) 3/8" O.D. Copper tubing (ball nose risers with the coupling nuts or;
(B) 3/8" Copper tubing (no ball) with supplied tube head interior connector or;
(C) IPS faucet connectors (1/2")



Important:

Tighten connection with two wrenches to prevent damage to tube body. Be careful not to bend the stem as this will void the product warranty.



Important:

Let both hot and cold water run for one minute. This will help clean any debris that might clog the system.

Test system for leaks .