



## LIMITED LIFETIME WARRANTY

Compass Manufacturing International warrants to the original consumer purchaser that the faucet be free from defects in material and workmanship for as long as the original consumer purchaser owns the home in which the faucet was first installed.

In the event that Freendo faucets are used in a Commercial Application, this warranty is limited for a period of 5 years, unless otherwise specifically stated in the catalog and/or price book.

Compass Manufacturing International will replace, free of charge, during the applicable warranty period, any part or finish that proves defective in material and/or workmanship under normal installation, use and service. This warranty shall not apply to goods which have been subject to accidents, negligence or improper installation. Compass Manufacturing International will not be liable for other damages or losses, including, but not limited to: labor charges and/or damages incurred in installation, repair or replacement as well as any other kind of loss or damage. Proof of purchase from the original consumer purchaser must be made available for all warranty claims.

Compass Manufacturing International recommends using a professional plumber for all installation and repair. Compass Manufacturing International will, at its discretion, provide replacement parts for installation by consumer for any parts that prove defective under normal usage and service with new or equivalent parts. Replacement parts may be obtained by emailing the address below, calling the number below or by writing to:

### Compass Manufacturing International

Freendo Product Service

6702 Enterprise Drive

Louisville, KY 40214

800.626.3525

[warranty@cmiproduct.com](mailto:warranty@cmiproduct.com)

Revised 4/28/16

[warranty@cmiproduct.com](mailto:warranty@cmiproduct.com)

© Compass Manufacturing International

800.626.3525



Model No. : 201-6592 Polished Chrome  
201-6593 Brushed Nickel *Spotless PVD*  
201-6594 Oil-Rubbed Bronze



**Two Handle Lavatory Faucet With Pop-up**  
Fits 3 Hole Sink, 4" Center-set



## Helpful Information

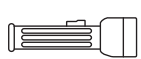
### Helpful Tools

#### Tools:

Gather the necessary tools as shown below to complete the installation of this faucet. Some may not be needed depending on the model of faucet you are installing. Check with your local hardware store on the requirements of your installation situation.



Plumbers Putty



Flashlight



Basin Wrench



Safety Glasses



Screwdriver



Pliers



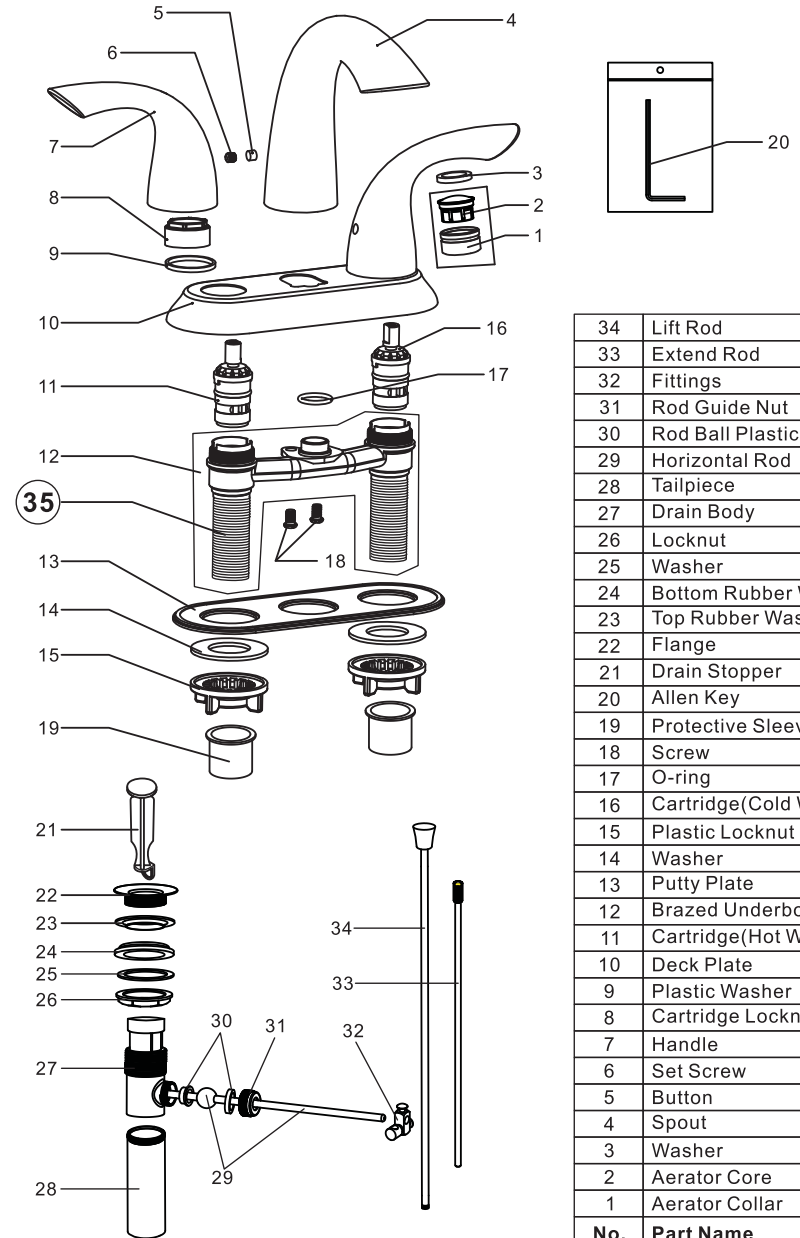
Channel Locks



Adjustable Wrench

## 5

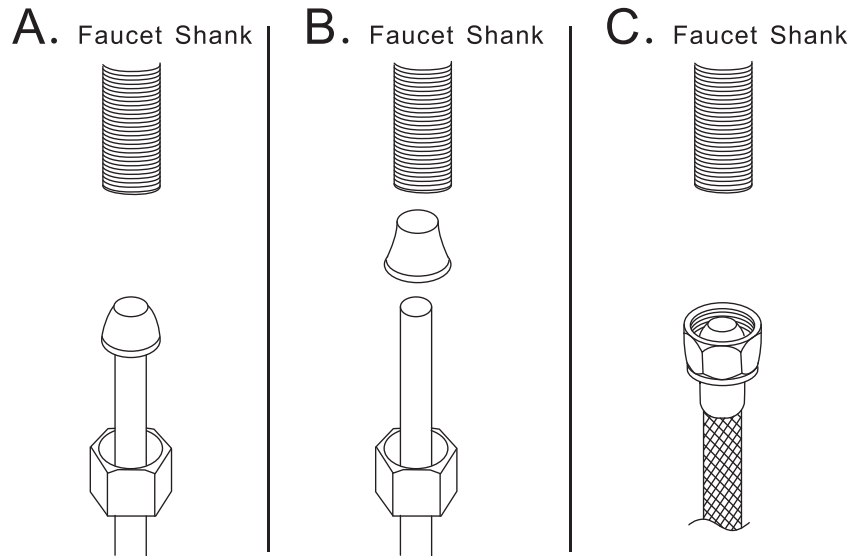
## Parts Diagram / List



34	Lift Rod
33	Extend Rod
32	Fittings
31	Rod Guide Nut
30	Rod Ball Plastic Gasket
29	Horizontal Rod
28	Tailpiece
27	Drain Body
26	Locknut
25	Washer
24	Bottom Rubber Washer
23	Top Rubber Washer
22	Flange
21	Drain Stopper
20	Allen Key
19	Protective Sleeve
18	Screw
17	O-ring
16	Cartridge(Cold Water)
15	Plastic Locknut
14	Washer
13	Putty Plate
12	Brazed Underbody
11	Cartridge(Hot Water)
10	Deck Plate
9	Plastic Washer
8	Cartridge Locknut
7	Handle
6	Set Screw
5	Button
4	Spout
3	Washer
2	Aerator Core
1	Aerator Collar
<b>No.</b>	<b>Part Name</b>

# 4

## Configuration



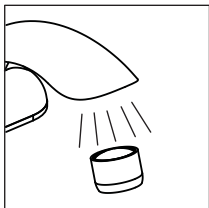
Connect to water supply lines with either:

- (A) 3/8" O.D. Copper tubing (ball nose risers with the coupling nuts or;
- (B) 3/8" Copper tubing (no ball) with supplied tube head interior connector or;
- (C) IPS faucet connectors (1/2" )



**Warning:**

The supply valve and supply lines are not included.



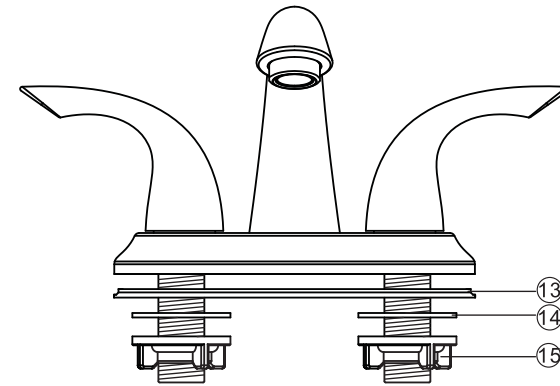
### Important:

Remove the aerator and let both hot and cold water run for one minute. To clear any line trash. This will help clean any debris that might clog the system. Re-assemble aerator.

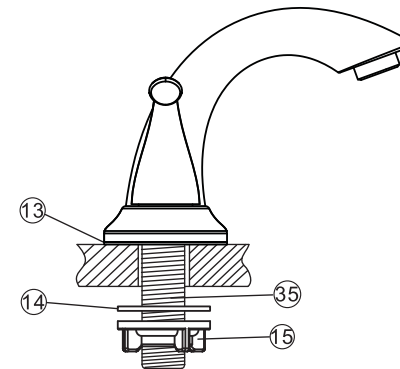
**Test system for leaks .**

# 1

## Preparation / Mounting



1. Shut off water supply and drain lines. Clean sink surface thoroughly. Make sure mounting area is clean and dry.
2. Remove the plastic locknut 15 and washer 14 from faucet. Don't remove the putty plate 13 from faucet.

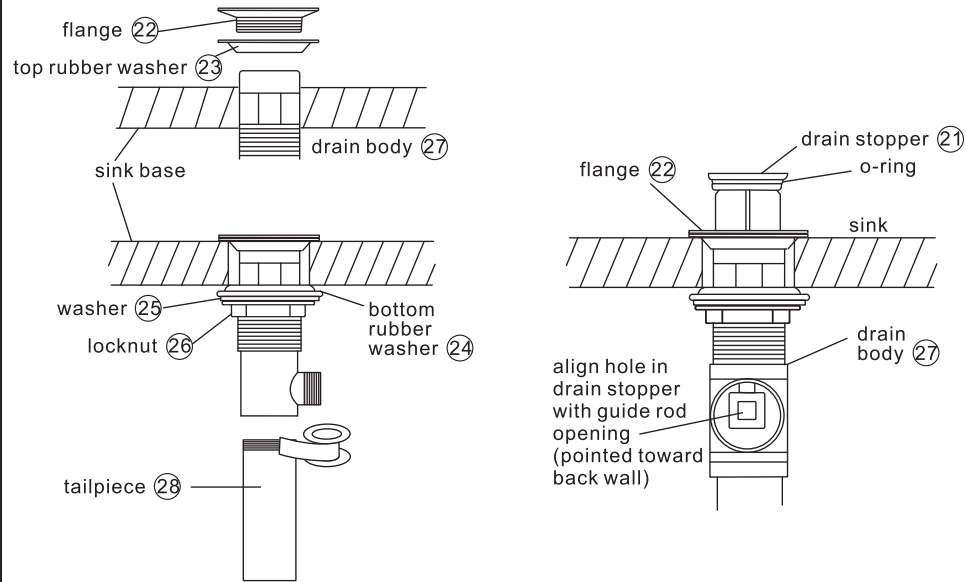


3. Position the faucet on the countertop with putty plate 13 .Replace the washer 14 and plastic locknuts 15 on the faucet tailpiece 35 and tighten the plastic locknuts 15 by hand.

**2**

## Pop-up Installation

Instruction for product with drain option only



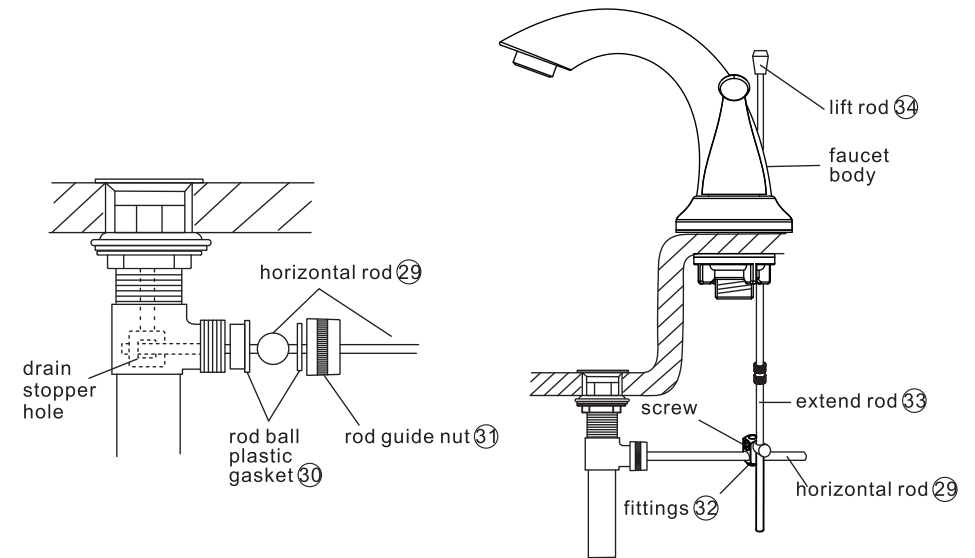
- Remove pop-up drain stopper (21) and flange (22) with top rubber washer (23) for pop-up assembly.
- Insert drain body from underneath of sink drain hole. Replace flange (22) and top rubber washer (23) back to drain body (27). Tighten flange as far as possible.
- Slide bottom rubber washer (24) on drain body up against bottom of sink. Tighten washer (25) and locknut (26) firmly against base for tight seal.
- Remove tailpiece (28) from drain body (27), add Teflon tape, replace tailpiece (28).

- Replace pop-up drain stopper (21) to drain body (27) with o-ring in place, and align stopper hole with guide rod opening (pointed toward back wall).

**3**

## Pop-up Installation

Instruction for product with drain option only



- Remove rod guide nut (31) and rod ball plastic gasket (30).
- Insert horizontal rod (29) into drain body (27) and through hole in drain stopper (21).
- Replace rod guide nut (31) with rod ball plastic gasket (30) and tighten it.

- Insert lift rod (34) through hole on faucet body.
- Connect extend rod (33) to lift rod (34). Attach horizontal rod (29) to extend rod (33) using fittings (32), tighten screw.