



LIMITED LIFETIME WARRANTY

Compass Manufacturing International warrants to the original consumer purchaser that the faucet be free from defects in material and workmanship for as long as the original consumer purchaser owns the home in which the faucet was first installed.

In the event that Freendo Faucets are used in a Commercial Application, this warranty is limited for a period of 5 years, unless otherwise specifically stated in the catalog and/or price book.

Compass Manufacturing International will replace, free of charge, during the applicable warranty period, any part or finish that proves defective in material and/or workmanship under normal installation, use and service. This warranty shall not apply to goods which have been subject to accidents, negligence or improper installation. Compass Manufacturing International will not be liable for other damages or losses, including, but not limited to: labor charges and/or damages incurred in installation, repair or replacement as well as any other kind of loss or damage. Proof of purchase from the original consumer purchaser must be made available for all warranty claims.

Compass Manufacturing International recommends using a professional plumber for all installation and repair. Compass Manufacturing International will, at its discretion, provide new or equivalent replacement parts for any product that proves to be defective under normal usage and service. Replacement parts may be obtained by emailing the address below, calling the number below or by writing to:

Compass Manufacturing International

Freendo Product Service

6702 Enterprise Drive

Louisville, KY 40214

800.626.3525

warranty@cmiproduct.com

Revised 12/15/19

warranty@cmiproduct.com

© Compass Manufacturing International

800.626.3525



Model No. : 211-6623 Polished Chrome
211-6624 Brushed Nickel *Spotless PVD*[™]
211-6625 Oil-Rubbed Bronze



Majestic Single Handle Pressure Balanced Tub & Shower Set



Helpful Information

Helpful Tools

Tools:

Gather the necessary tools as shown below to complete the installation of this faucet. Some may not be needed depending on the model of faucet you are installing.



Plumber's Putty
and/or Silicone



Flashlight



Basin Wrench



Safety Glasses



Screwdriver



Pliers



Channel Locks



Adjustable Wrench

Maintenance

Your new faucet is designed for years of trouble-free performance. Keep it looking new by cleaning it periodically with a soft, damp cloth. Avoid abrasive cleaners, steel wool and harsh chemicals as these will dull the finish and void your warranty.

Safety Tips

- If you use soldering for the installation of the faucet, the seats, cartridges and washers will have to be removed before using flame. Otherwise, the warranty will be void on these parts.
- Protect your eyes with safety glasses when cutting or soldering water supply line.
- Cover your drain to avoid losing parts.

Important Points

Prior to beginning installation, turn off the cold and hot water lines and turn on the old faucet to release built-up pressure. When installing your new faucet, turn the connector nuts finger tight, then use a wrench to anchor the fitting and a second wrench to tighten the nut one additional turn. Connections that are too tight can compromise the integrity of the system. Wrap all threaded connections with teflon tape. Always wrap in a clockwise direction.

8

Troubleshooting

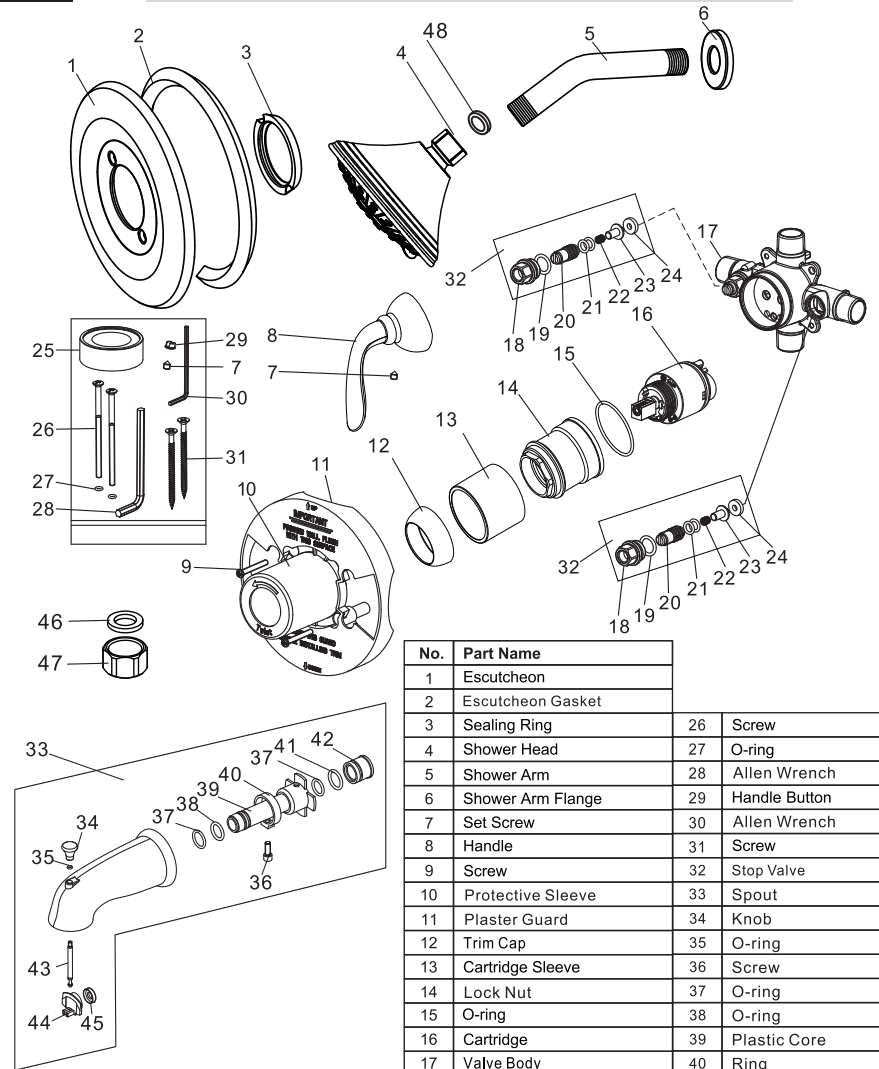
If the instructions were followed carefully and the faucet does not work properly, try these corrective steps.

Problem	Cause	Action
Leaks underneath the handle (#8).	The lock nut (#14) has come loose or the O-ring on the cartridge (#16) is dirty or misaligned.	Turn off the water supplies. Remove the handle (#8), trim cap (#12) and the cartridge sleeve (#13). If the lock nut (#14) is loose tighten it. If the lock nut (#14) is tight, remove the lock nut (#14) and cartridge (#16). Verify the O-ring is clean and in proper alignment on the cartridge (#16). If the O-ring is dirty rinse with warm water. Reinstall the O-ring onto the cartridge (#16). Reinstall the cartridge (#16), lock nut (#14), cartridge sleeve (#13), trim cap (#12) and handle (#8).
The water will not shut off completely.	The rubber valve seat at the base of the pressure balance cartridge (#16) is dirty or broken.	Turn off the water supplies. Remove the handle (#8), trim cap (#12), cartridge sleeve (#13), lock nut (#14) and cartridge (#16). Verify the rubber valve seat is clean and in proper alignment on the cartridge (#16). If the rubber valve seat is dirty soak in warm white vinegar for 30 minutes. Reinstall the rubber valve seat onto the cartridge (#16). Reinstall the cartridge (#16), lock nut (#14), cartridge sleeve (#13), trim cap (#12) and handle (#8). If the rubber valve seat is damaged replace the cartridge (#16).
The water temperature cannot be adjusted or there is no hot or cold water.	The cartridge (#16) is dirty or pressure locked.	Turn off the water supplies. Remove the handle (#8), trim cap (#12), cartridge sleeve (#13), lock nut (#14) and cartridge (#16). Shake the cartridge (#16) and verify the pressure balance spool (located at the bottom of the cartridge (#16)) is moving freely. If the spool is not moving, tap it on your hand until it begins to click. If the cartridge (#16) is dirty, soak it in warm white vinegar for 4 hours. Every 30 minutes, while the cartridge (#16) is submerged in the vinegar, rotate the stem on and off 10 times. Reinstall the cartridge (#16). If the cartridge (#16) is damaged, replace the cartridge (#16).

Have a question? DON'T GO BACK TO THE STORE, WE CAN HELP, just call 1-800-626-3525 , 8 a.m. to 5 p.m. EST Monday-Friday, or send an email to Help@cmiproduct.com.

1

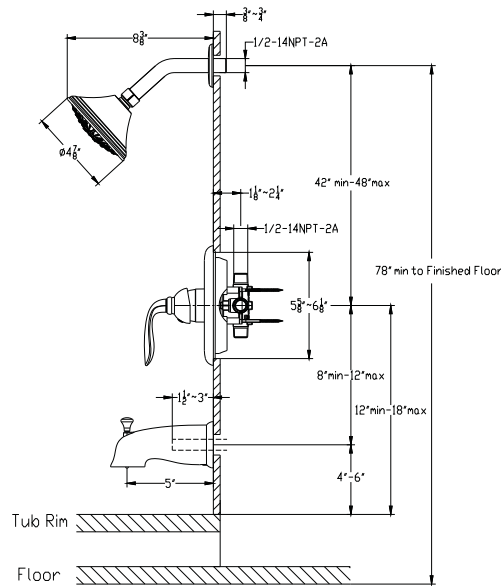
Parts Diagram



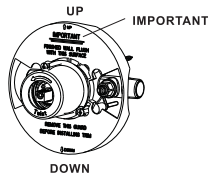
No.	Part Name	No.	Part Name
1	Escutcheon	26	Screw
2	Escutcheon Gasket	27	O-ring
3	Sealing Ring	28	Allen Wrench
4	Shower Head	29	Handle Button
5	Shower Arm	30	Allen Wrench
6	Shower Arm Flange	31	Screw
7	Set Screw	32	Stop Valve
8	Handle	33	Spout
9	Screw	34	Knob
10	Protective Sleeve	35	O-ring
11	Plaster Guard	36	Screw
12	Trim Cap	37	O-ring
13	Cartridge Sleeve	38	O-ring
14	Lock Nut	39	Plastic Core
15	O-ring	40	Ring
16	Cartridge	41	O-ring
17	Valve Body	42	Core Cover
18	Integral Stop Locknut	43	Pulling Core
19	O-ring	44	Sealing Plate
20	Adjuster	45	Washer
21	O-ring	46	Washer
22	Spring	47	End Cap
23	Stopper	48	Washer
24	Sealing Washer		
25	Teflon Tape		

2

Faucet Installation



- Note the minimum/maximum installation dimensions between the shower arm (#5), handle (#8), and spout (#33). Diagram accounts for a standard 17" tub. For proper function of the shower faucet the shower head (#4) must be placed at least 78" from the finished floor and at least 42" from the valve body (#17). Also note, if this is a NOT thin wall mounting, the hole for the valve body (#17) must be 5-1/2".

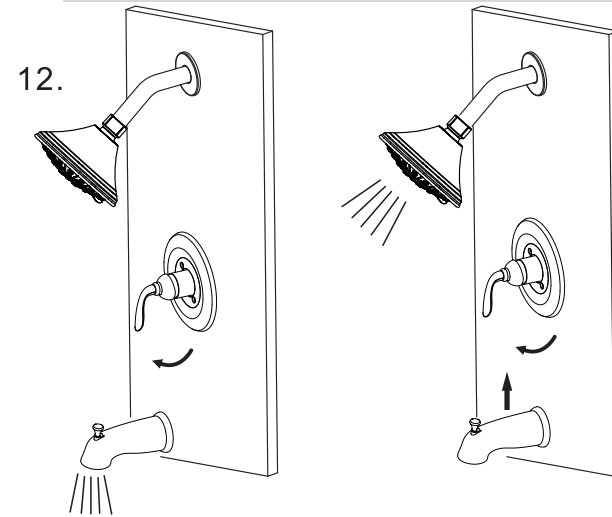


- Verify the valve body (#17) is properly oriented. The word "UP" on the valve body (#17) should be toward the shower riser; "Down" should be pointed toward the tub spout outlet; the flat surface of the plaster guard (#11) marked "IMPORTANT" should be FLUSH with the finished wall.

Note: Secure the valve body (#17) to the support cross board for stability.

7

Configuration



- Turn on both the hot and cold water shut offs and check for leaks. If leaks occur, refer to steps 7, 9, or 10.

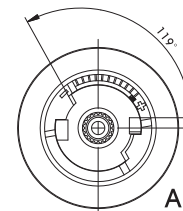
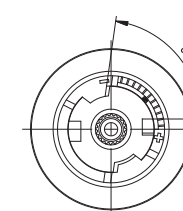
Note: Turn on both the hot and cold water shut offs before turning the faucet on. Not turning on both will cause your cartridge (#16) to become pressure locked. If this occurs, see the troubleshooting guide.

Temperature Limiting Device

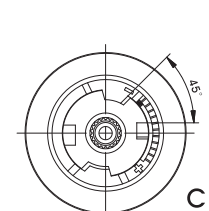
Hot Water Adjustment

Position In The Middle Is Recommended

Cold Water Adjustment

High Temperature setting
(Factory setting)

Average Temperature setting

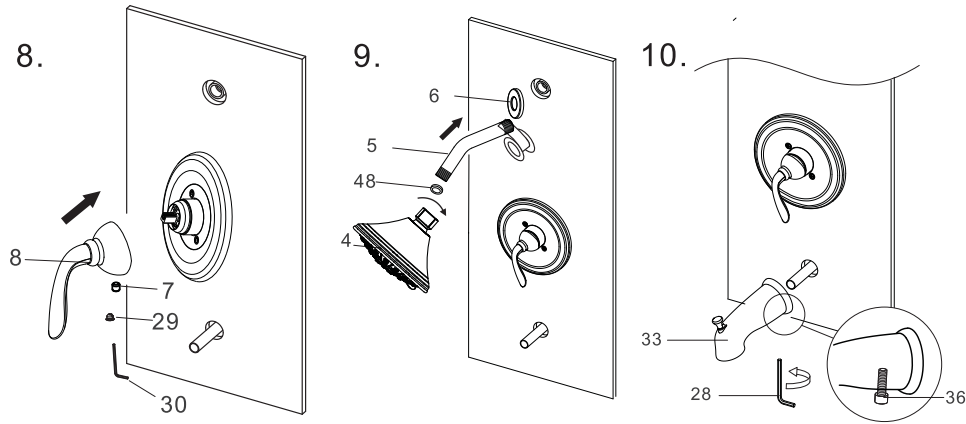


Low Temperature setting

By default, the temperature limiting device is set to the highest temperature setting (A). In order to reduce the temperature, remove the temperature limiting device (the red cap) and turn the device clockwise to the desired temperature (position B or C).

6

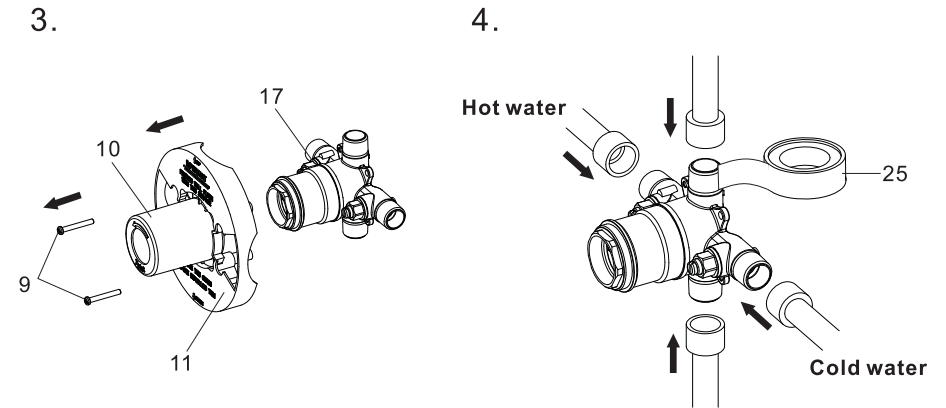
Faucet Installation



8. Slide the handle (#8) onto the cartridge (#16), then secure with the screw (#7) using the Allen wrench (#30) to tighten. Insert the handle button (#29). See the diagram for a visual.
9. Slide the shower arm flange (#6) onto the longer end of the shower arm (#5). Apply Teflon tape (#25) to both ends of the shower arm (#5). Install the longer end to the shower drop. Ensure the washer (#48) is in place, and install the shower head (#4) onto the shower arm (#5).
10. Slide the spout (#33) over the nipple. Attach the spout (#33) to the nipple with screw (#36), using Allen wrench (#28). See the diagram for a visual.
Note: The tub spout (#33) can be screwed directly onto a threaded nipple. If this option is being used, unscrew the plastic core (#39). The plastic core (#39), ring (#40) and screw (#36) will not be needed. Measure the spout (#33) from the threads to the back of the spout (#33) to determine the length of nipple needed. Screw the spout (#33) directly onto the nipple.

3

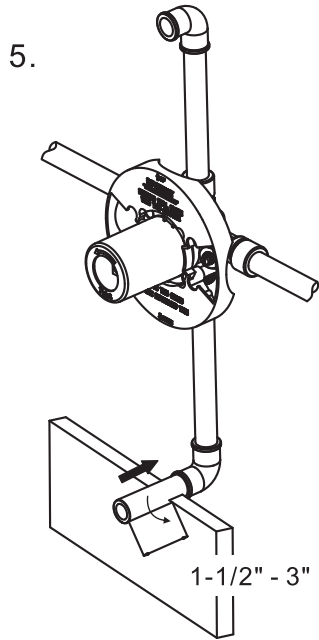
Faucet Installation



3. Remove the screws (#9), protective sleeve (#10), and plaster guard (#11) as shown. Connect the valve body (#17) to the water supplies per the Uniform Plumbing Code.
Note: If this is not a thin wall mounting, the plaster guard (#11) will not be used.
Important: If sweating in, remove the stop valves (#32) and cartridge (#16) to and cartridge (#16) prevent damage. Replace stop valves (#32) after the valve body (#17) has cooled.
4. Apply Teflon tape (#25) to all pipe threads. Install an elbow at one end of the pipe. Install the other end to the shower diverter (top port of the valve body (#17)). Secure the shower elbow to a 2x4 bracing.
Tub Spout Only Installation: Use the washer (#46) and end cap (#47) to plug the shower port ("UP") on the valve body (#17). Skip steps 4 and 10.
Shower Only Installation: Use the washer (#46) and end cap (#47) to plug the tub spout port ("DOWN") on the valve body (#17). Skip steps 5 and 11.

4

Faucet Installation

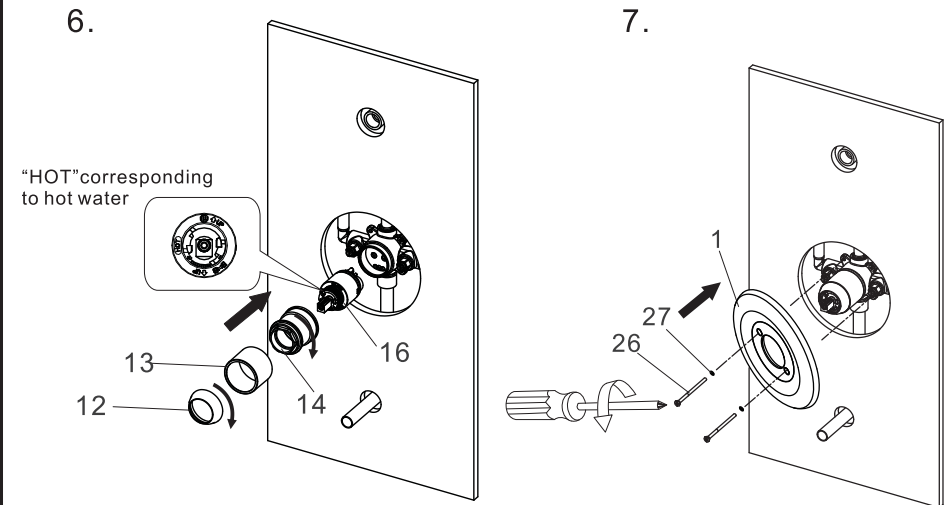


5. Install an elbow at one end of the pipe. Install the other end to the tub spout diverter (bottom port of the valve body (#17)). Install a nipple that will extend 1-1/2" - 3" from the finished wall.

Note: Piping from the tub spout diverter (bottom port of the valve body (#17)) to the tub spout outlet must be either 1/2" nominal copper pipe or 1/2" iron pipe. Do NOT use PEX or PVC for the tub spout drop. Using incorrect piping may cause leakage behind the wall or improper function of the faucet.

5

Faucet Installation



6. Insert the cartridge (#16). Verify the arrow and word "UP" is pointing up. Slide the cartridge sleeve (#13) onto the cartridge (#16) and secure it with the lock nut (#14). Turn on both the hot and cold water shut offs and check for leaks. If leaks occur, refer to steps 3, 4, or 5.

Note: If the desired temperature setting needs to be adjusted see page 7 before completing this step. By default the temperature limiting device is set to the highest temperature.

7. If this is a thin wall mounting, reinstall the plaster guard (#11), using screws (#9) to secure. Verify the escutcheon gasket (#2) is attached to the escutcheon (#1). Slide the escutcheon (#1) onto the cartridge sleeve (#13) and secure it with screws (#26). Screw the trim cap (#12) onto the lock nut (#14).