

# Noble - Single Handle Pull-out Kitchen Faucet



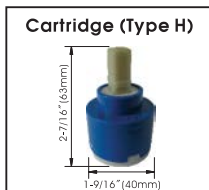
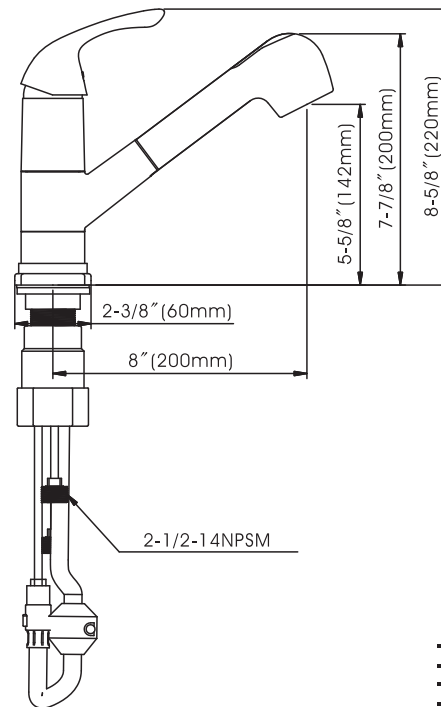
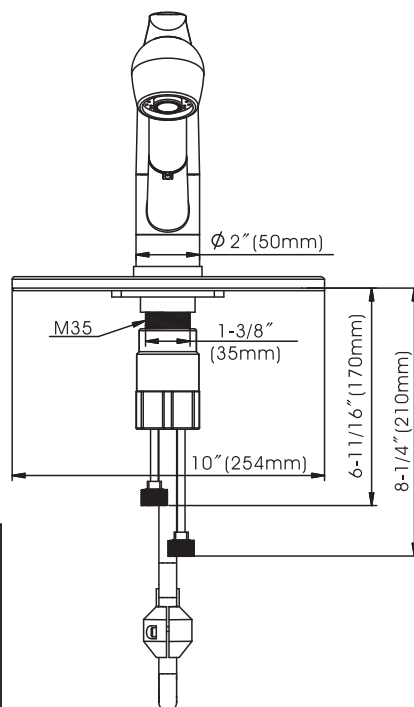
- \* Includes Removable Stainless Steel Deck Plate for Single or 3 Hole Installation
- \* 135° Swing Zinc Spout, Zinc Handle
- \* Matching Two Function Plastic Pull-out Sprayer
- \* Copper Waterway Construction with 1/2" -14 NPSM Connection
- \* Premium Grade Ceramic Cartridge (Type H)
- \* "Quick Connect" Type 60" Flexible Nylon Hose
- \* Floating Weight
- \* Flow Rate: 1.8GPM
- \* 100% Pressure System Tested

Project / Job Name	
Architect / Engineer	
Contractor	
Model	
Quantity	

## Model No. :

191-6576 (CH)  
 (Shown Model)

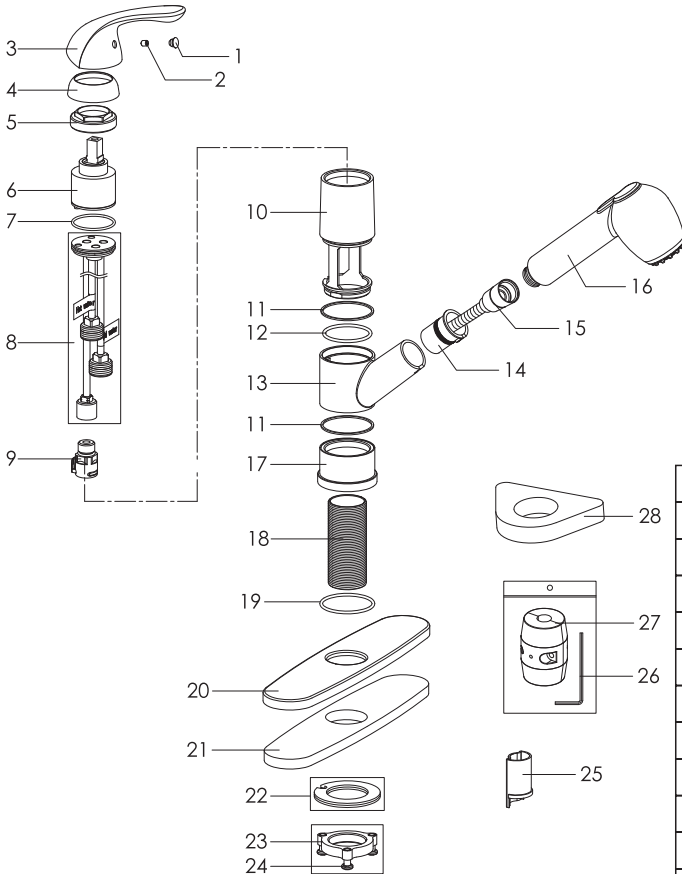
191-6577 (BN *Spotless* PVD)



**Product Compliance:**

- ASME A112.18.1 / CSA B125.1
- NSF 61 - Section 9
- NSF 372 (Low Lead Content)
- ANSI A117.1 (ADA)

# Noble - Single Handle Pull-out Kitchen Faucet



**Model No. :**

191-6576 (Polished Chrome)

191-6577 (Brushed Nickel **Spotless** PVD)

No.	Part Name	Material
1	Index	Plastic
2	Set Screw	Stainless Steel
3	Handle	Zinc
4	Trim Cap	Plastic
5	Cartridge Lock Nut	Stainless Steel
6	Cartridge	Ceramic
7	O-Ring	Rubber
8	Waterway	Brass
9	Quick Connect Assembly	Plastic
10	Cartridge Sleeve	Zinc
11	Wearing Ring	Plastic
12	O-Ring	Rubber
13	Spout	Zinc
14	Hose Guide	Plastic
15	Pull-out Hose	Nylon
16	Spray	Plastic
17	Hub Base	Zinc
18	Shank	Stainless Steel
19	O-Ring	Rubber
20	Deck Plate	Stainless Steel
21	Putty Plate	Sponge
22	Clamp	Rubber + Stainless Steel
23	Lock Nut	Zinc
24	Screw	Stainless Steel
25	Protective Sleeve	Plastic
26	Allen Key	Stainless Steel
27	Weight	Steel+Plastic
28	Plastic Base	Plastic

**Cartridge (Type H)**



Technical Support: [warranty@cmiproduct.com](mailto:warranty@cmiproduct.com)  
 Hour of Operation: Mon - Fri 8:30 a.m - 5:00 p.m. EST