

# Grand - Single Handle Pull-down Kitchen Faucet



- \* Includes Stainless Steel Deck Plate for 1 or 3 Holes Installation
- \* 6" - 8" Center-set, 360° Swing Stainless Steel Tube Spout, Zinc Handle
- \* Matching Two Function Plastic Pull-down Sprayer
- \* Copper Waterway Construction with 1/2" -14 NPSM Connection
- \* Premium Grade Ceramic Cartridge (Type G)
- \* 60" Quick Connect Flexible Nylon Hose
- \* Screw On Weight
- \* Flow Rate: 1.8GPM
- \* 100% Pressure System Tested

Project / Job Name	
Architect / Engineer	
Contractor	
Model	
Quantity	

## Model No. :



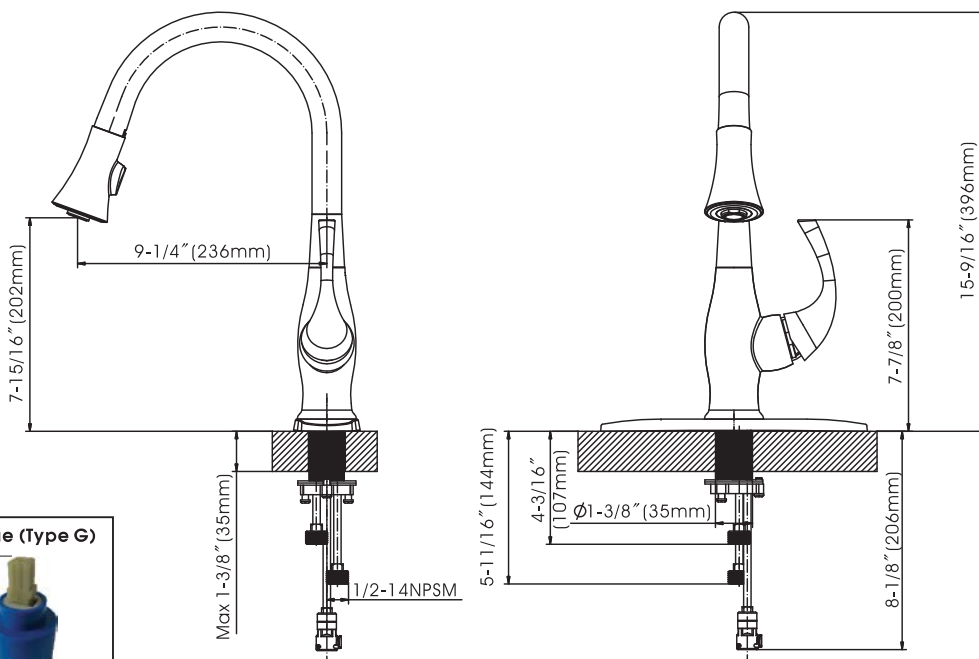
191-6600 (CH)  
 (Shown Model)



191-6601 (BN *Spotless PVD*)



191-6639 (ORB)



### Cartridge (Type G)



### Product Compliance:

- ASME A112.18.1 / CSA B125.1
- NSF 61 - Section 9
- NSF 372 (Low Lead Content)
- ANSI A117.1 (ADA)

Compass Manufacturing International LLC

www.cmiproduct.com

6702 Enterprise Drive, Louisville, Kentucky 40214

Toll Free Number: 800-626-3525

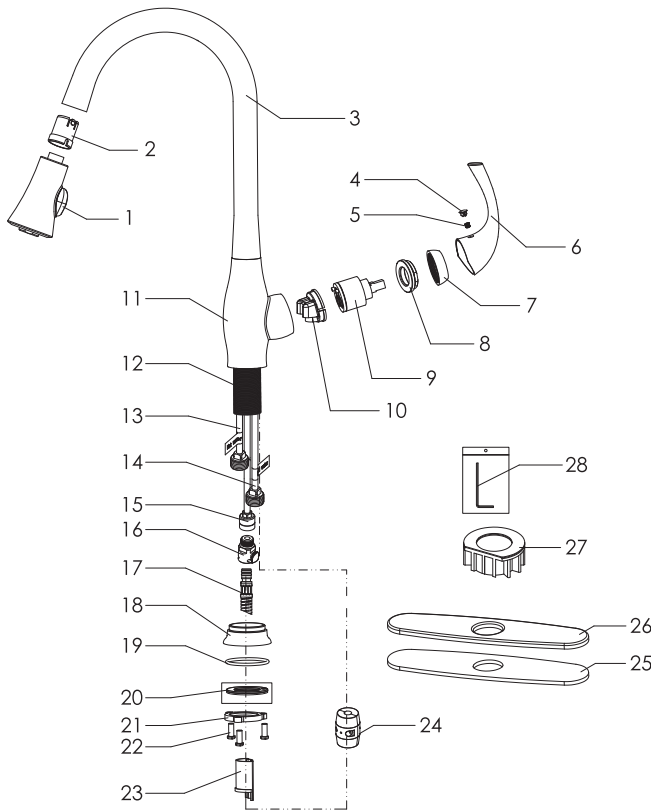
# Grand - Single Handle Pull-down Kitchen Faucet

## Model No. :

191-6600 (Polished Chrome)

191-6601 (Brushed Nickel *Spotless* PVD)

191-6639 (Oil-Rubbed Bronze)



No.	Part Name	Material
1	Spray	Plastic
2	Hose Guide	Plastic
3	Spout	Stainless Steel
4	Index	Plastic
5	Set Screw	Stainless Steel
6	Handle	Zinc
7	Trim Cap	Plastic
8	Cartridge Lock Nut	Brass
9	Cartridge	Ceramic
10	Cartridge Seat	Brass
11	Body	Zinc
12	Shank	Stainless Steel
13	Copper Tube	Brass
14	Copper Tube	Brass
15	Copper Tube	Brass
16	Quick Connect Assembly	Plastic
17	Pull-Down Hose	Nylon
18	Hub Base	Zinc
19	O-Ring	Rubber
20	Clamp	Rubber+Stainless Steel
21	Lock Nut	Zinc
22	Screw	Stainless Steel
23	Protective Sleeve	Plastic
24	Weight	Plastic+Steel
25	Putty Plate	Sponge
26	Deck Plate	Stainless Steel
27	Plastic Base	Plastic
28	Allen Key	Steel

Cartridge (Type G)



Technical Support: [warranty@cmiproduct.com](mailto:warranty@cmiproduct.com)  
 Hour of Operation: Mon - Fri 8:30 a.m - 5:00 p.m. EST