

## Grand - Two Handle Bar Faucet



- \* 4" Centerset, 2 Hole Installation
- \* 7-11/16" High and 4-9/16" Long Stainless Steel Tube Spout, Zinc Handle, Stainless Steel Deck Plate
- \* Brass Waterway Construction with 1/2" -14 NPSM Connection
- \* 1/4 Turn Premium Grade Ceramic Cartridges (Type I)
- \* Sleek and Functional Two-Handle Design
- \* 1/2" IPS Connections
- \* Flow Rate: 1.8GPM
- \* 100% Pressure System Tested

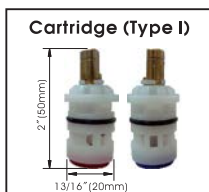
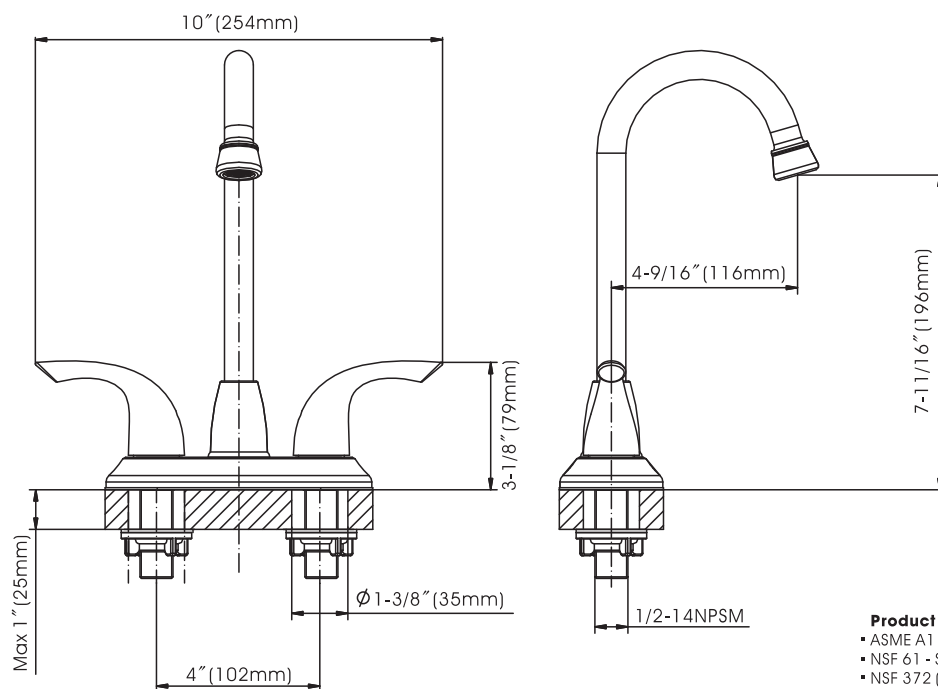
Project / Job Name	
Architect / Engineer	
Contractor	
Model	
Quantity	

### Model No. :

192-5886 (CH)

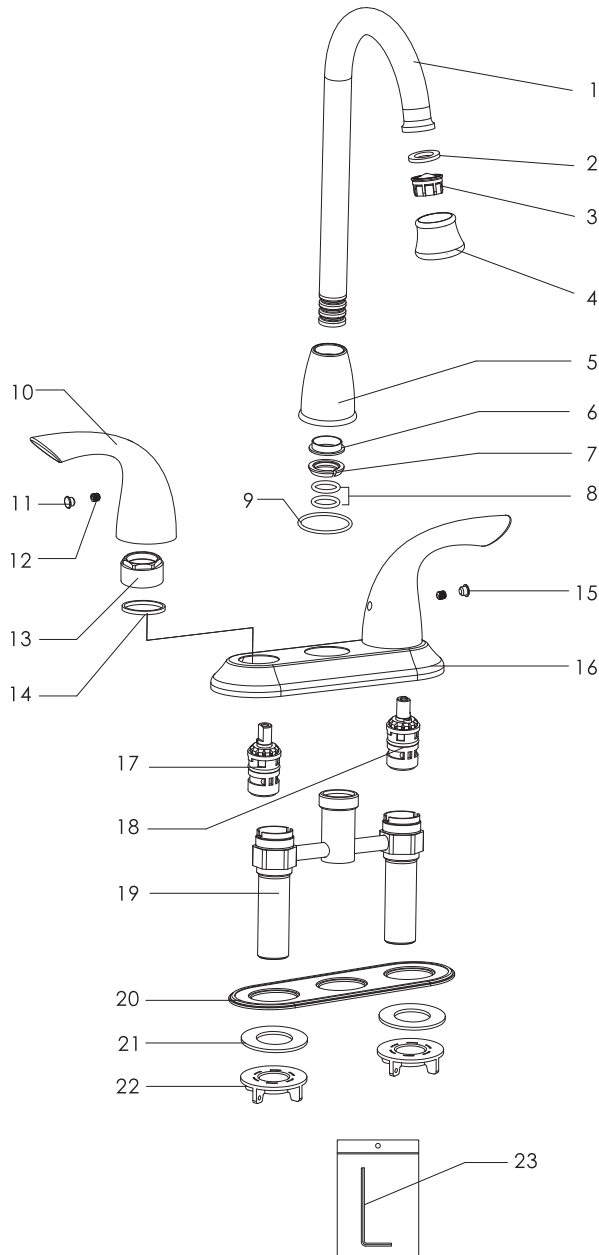
192-5887 (BN *Spotless PVD*)

192-5888 (ORB)  
 (Shown Model)



- Product Compliance:**
- ASME A112.18.1 / CSA B125.1
  - NSF 61 - Section 9
  - NSF 372 (Low Lead Content)
  - ANSI A117.1 (ADA)

# Grand - Two Handle Bar Faucet



## Model No. :

192-5886 (Polished Chrome)

192-5887 (Brushed Nickel **Spotless** PVD)

192-5888 (Oil-Rubbed Bronze)

No.	Part Name	Material
1	Spout	Stainless Steel
2	Aerator Washer	Rubber
3	Aerator Core	Plastic
4	Aerator Collar	Brass
5	Spout Nut	Zinc
6	Protective Sleeve	Plastic
7	Wearing Ring	Plastic
8	O-Ring	Rubber
9	O-Ring	Rubber
10	Handle	Zinc
11	Index(Hot)	Rubber
12	Set Screw	Stainless Steel
13	Cartridge Lock Nut	Zinc
14	Washer	Plastic
15	Index(Cold)	Rubber
16	Deck Plate	Stainless Steel
17	Cartridge(Hot Water)	Ceramic
18	Cartridge(Cold Water)	Ceramic
19	Brazed Underbody	Brass
20	Putty Plate	Plastic
21	Washer	Rubber
22	Plastic Lock Nut	Plastic
23	Allen Key	Steel

Cartridge (Type I)



Technical Support: [warranty@cmiproduct.com](mailto:warranty@cmiproduct.com)  
 Hour of Operation: Mon - Fri 8:30 a.m - 5:00 p.m. EST