

Prestige Series Contractor Six Function Shower Only Trim Pack



• Model No. : 192-6202

- * One Piece Pressure Balanced Ceramic Cartridge with Balancing Spool
- * Back-to-Back Installation Capability
- * 6-1/2" Six Function Shower Head
- * Metal Shower Arm with Flange
- * Metal Escutcheon with Screws
- * Zinc Handle
- * Matching Finish Trim Sleeve
- * 1.5 GPM@80 PSI Shower Head

Project / Job Name	
Architect / Engineer	
Contractor	
Model	
Quantity	

Model No. :



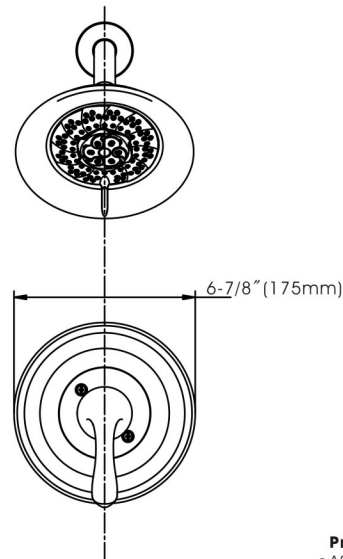
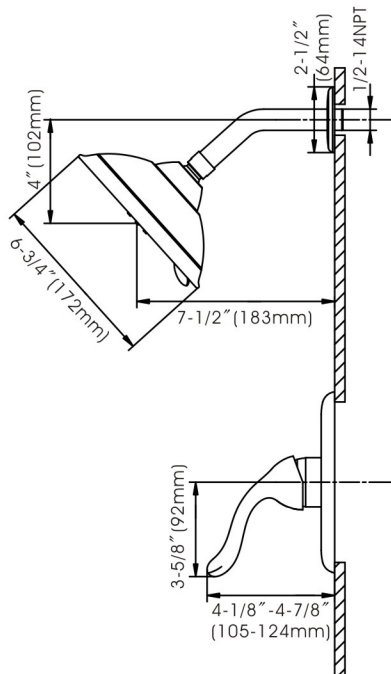
192-6202 (CH)
 (Shown Model)



192-6204 (BN *Spotless* PVD)



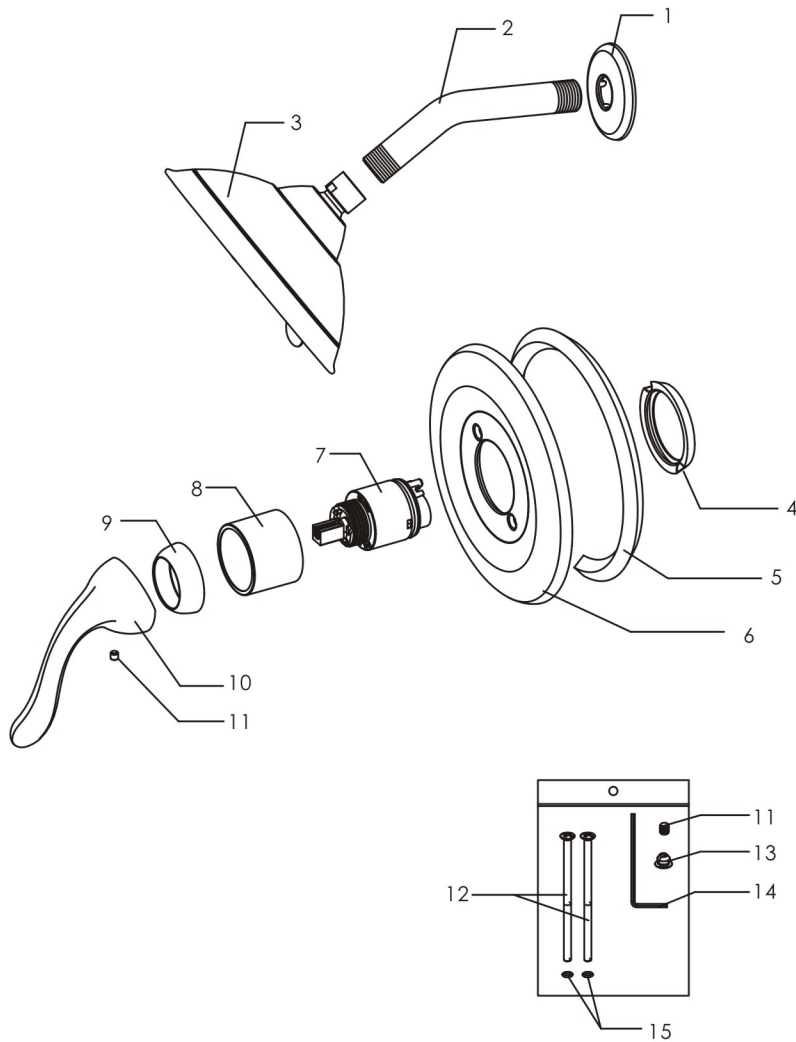
192-6206 (ORB)



Product Compliance:

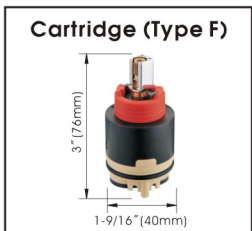
- ASME A112.18.1 / CSA B125.1
- ANSI A117.1 (ADA)
- ASSE 1016

Prestige Series Contractor Six Function Shower Only Trim Pack



Model No. :

- 191-6202 (Polished Chrome)
- 191-6204 (Brushed Nickel *Spotless PVD*)
- 191-6206 (Oil-Rubbed Bronze)



No.	Part Name	Material
1	Shower Arm Flange	Stainless Steel
2	Shower Arm	Stainless Steel
3	Shower Head	Plastic
4	Sealing Ring	Rubber
5	Sealing Ring	Sponge
6	Escutcheon	Stainless Steel
7	Cartridge	Ceramic
8	Cartridge Sleeve	Brass
9	Cartridge Locknut	Zinc
10	Handle	Zinc
11	Set Screw	Stainless Steel
12	Escutcheon Screw	Stainless Steel
13	Hot/Cold Button	Plastic
14	Allen Key	Steel
15	Escutcheon Screw O-rings	Rubber