

Majestic Series Contractor Three Function Shower Only Trim Pack



Model No. : 192-6213

- * One Piece Pressure Balanced Ceramic Cartridge with Balancing Spool
- * 4-7/8" Three Function Shower Head
- * Stainless Steel Shower Arm with Flange
- * Stainless Steel Escutcheon with Screws
- * Zinc Handle
- * Matching Finish Trim Sleeve
- * Flow Rate: 1.5GPM (5.7L/MIN) MAX @ 80PSI
- * 100% Pressure System Tested
- * Lifetime Limited Warranty; 5 year Warranty from Date of Purchase for Commercial Use

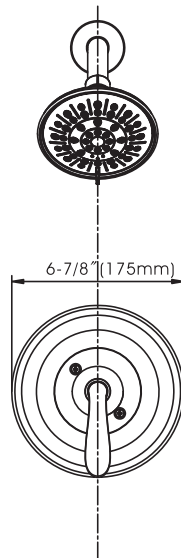
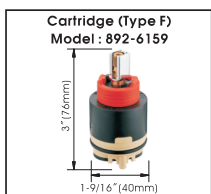
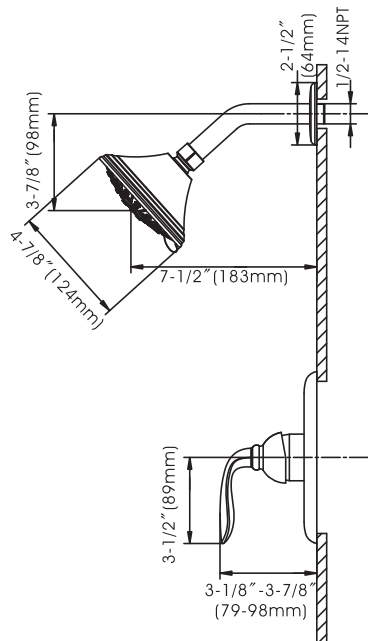
Project / Job Name	
Architect / Engineer	
Contractor	
Model	
Quantity	

Model No. :

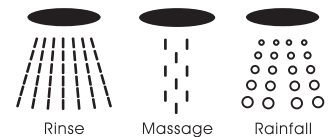
192-6213 (CH)
 (Shown Model)

192-6215 (BN *Spotless PVD*)

192-6217 (ORB)



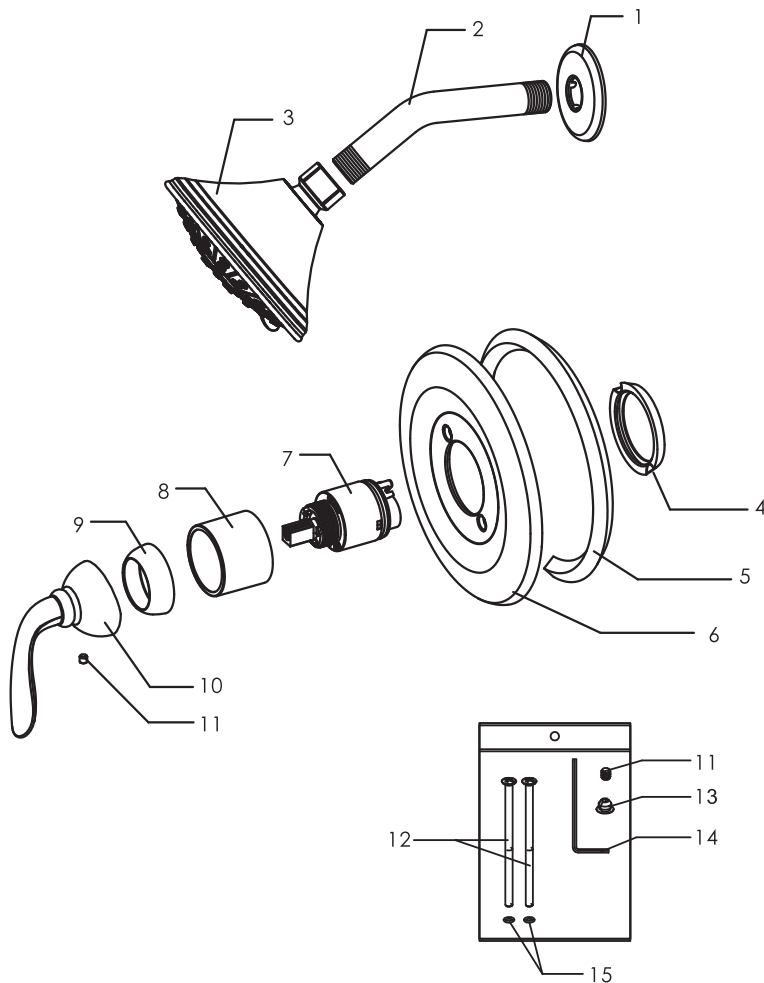
Shower Head Functions :



Product Compliance:

- ASME A112.18.1 / CSA B125.1
- ANSI A117.1 (ADA)
- ASSE 1016

Majestic Series Contractor Three Function Shower Only Trim Pack



Model No. :

191-6213 (Polished Chrome)

191-6215 (Brushed Nickel **Spotless PVD**)

191-6217 (Oil-Rubbed Bronze)

No.	Part Name	Material
1	Shower Arm Flange	Stainless Steel
2	Shower Arm	Stainless Steel
3	Shower Head	Plastic
4	Sealing Ring	Rubber
5	Gasket	Sponge
6	Escutcheon	Stainless Steel
7	Cartridge	Ceramic
8	Cartridge Sleeve	Brass
9	Trim Cap	Zinc
10	Handle	Zinc
11	Set Screw	Stainless Steel
12	Screws	Stainless Steel
13	Index	Plastic
14	Allen Wrench	Steel
15	O-rings	Rubber

Cartridge (Type F)
Model : 892-6159



Technical Support: warranty@cmiproduct.com
 Hour of Operation: Mon - Fri 8:00 a.m - 5:00 p.m. EST