

Cardania - Single Handle Vessel Faucet



- * Single Hole Installation
- * Includes a Unique Push Down Pop-up Drain that Works for Both Overflow and No Overflow Lavatory Sinks
- * 8-7/8" High and 6-5/16" Long One Piece Solid Cast Brass Spout, Zinc Handle, Zinc Body
- * Copper Waterway Construction with 1/2" -14 NPSM Connection
- * Premium Grade Ceramic Cartridge (Type Q)
- * Flow Rate: 1.2GPM @ 60PSI
- * 100% Pressure System Tested
- * Lifetime Limited Warranty; 5 year warranty from date of purchase for Commercial users.

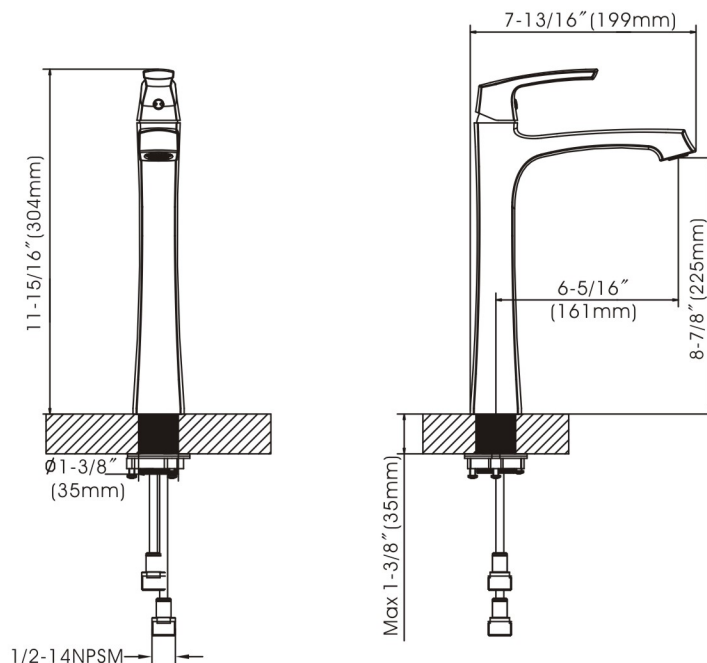
Project / Job Name	
Architect / Engineer	
Contractor	
Model	
Quantity	

Model No. :

192-6410 (CH)

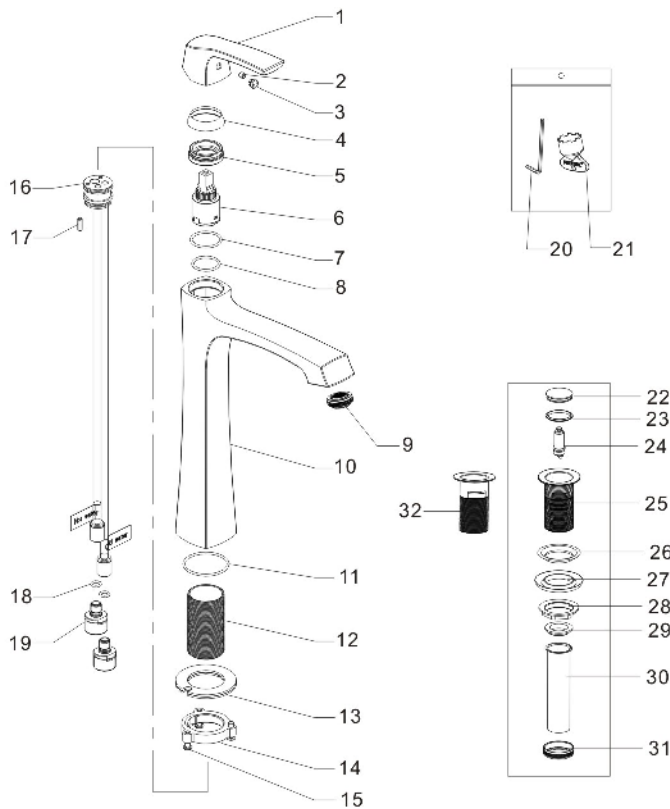
192-6411 (BN *Spotless PVD*)

192-6412 (ORB)
(Shown Model)



- Product Compliance:**
- ASME A112.18.1 / CSA B125.1
 - NSF 61 - Section 9
 - NSF 372 (Low Lead Content)
 - ANSI A117.1 (ADA)
 - EPA - Water Sense

Cardania - Single Handle Vessel Faucet



Model No. :

192-6410 (Polished Chrome)

192-6411 (Brushed Nickel *Spotless PVD*)

192-6412 (Oil-Rubbed Bronze)

No.	Part Name	Material
1	Handle	Zinc
2	Set Screw	Stainless Steel
3	Index	Plastic
4	Trim Cap	Brass
5	Cartridge Locknut	Brass
6	Cartridge	Ceramic
7	O-ring	Rubber
8	O-ring	Rubber
9	Aerator	Plastic
10	Body	Zinc
11	O-ring	Rubber
12	Shank	Stainless Steel
13	Clamp	Rubber
14	Locknut	Zinc
15	Screw	Stainless Steel
16	Waterway	Brass
17	Set Screw	Stainless Steel
18	O-ring	Rubber
19	Adapter	Brass
20	Allen Key	Steel
21	Aerator Wrench	Plastic
22	Cover	Brass
23	Washer	Rubber
24	Stopper Core	Brass
25	Stopper Housing(Without Overflow Hole)	Brass
26	Washer	Rubber
27	Washer	Rubber
28	Locknut	Zinc
29	Washer	Rubber
30	Outlet Pipe	Brass
31	Nut	Brass
32	Stopper Housing(With Overflow Hole)	Brass

Cartridge (Type Q)



Technical Support: warranty@cmlproduct.com
 Hour of Operation: Mon - Fri 8:30 a.m - 5:00 p.m. EST