

Cardania - Single Handle High Arc Pull-Down Kitchen Faucet

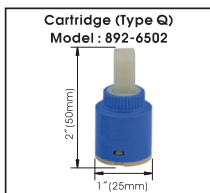
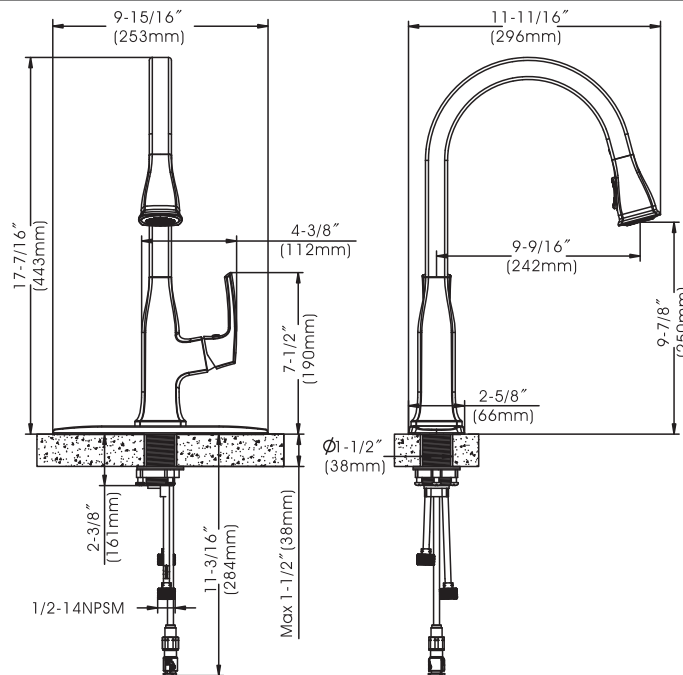


- * Includes Zinc Deck Plate for 1 or 3 Hole Installation
- * 9-7/8" High and 9-9/16" Long 360° Swing Brass Spout
- * 7-1/2" Zinc Handle, Zinc Body
- * Two Function (Spray and Stream) Pull-Down Spray Head
- * Brass & Copper Waterway Construction with 1/2" -14 NPSM Connection
- * Premium Grade Ceramic Cartridge (Type Q)
- * 60" Quick Connect Flexible Nylon Hose
- * Flow Rate: 1.8GPM (6.8L/MIN) MAX @ 60PSI
- * 100% Pressure System Tested
- * Lifetime Limited Warranty; 5 year warranty from date of purchase for Commercial use

Project / Job Name	
Architect / Engineer	
Contractor	
Model	
Quantity	

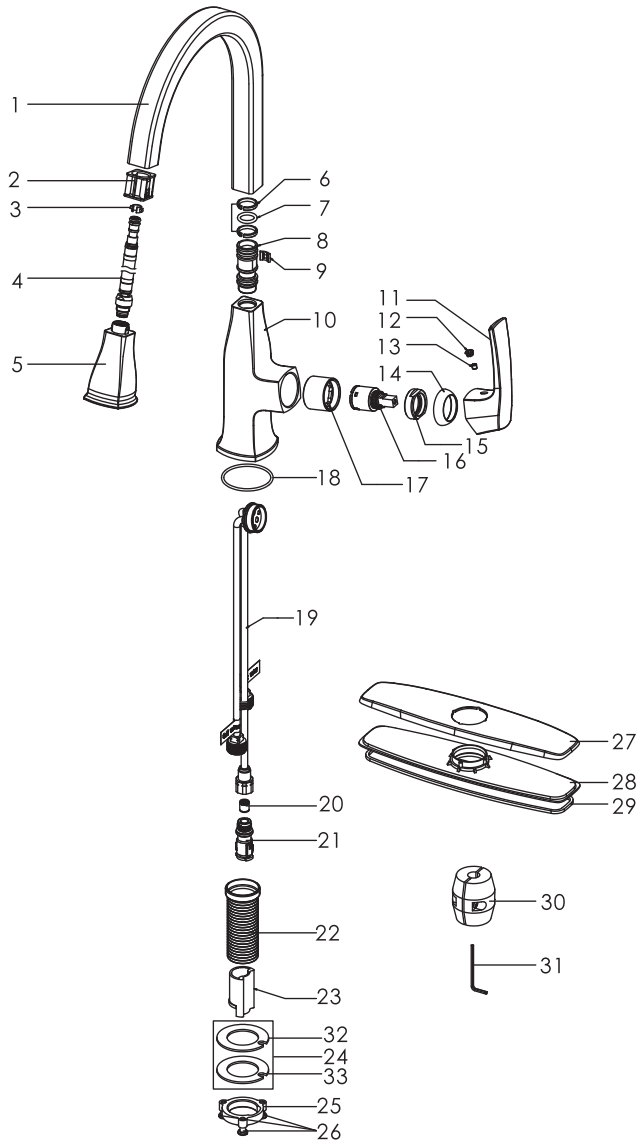
Model No. :

192-6413 (CH)
 192-6414 (BN Spotless PVD)
 192-6415 (ORB)
 192-7156 (MG)
 192-7157 (MB)
 (Shown Model)



- Product Compliance:**
- ASME A112.18.1 / CSA B125.1
 - NSF 61 - Section 9
 - NSF 372 (Low Lead Content)
 - ANSI A117.1 (ADA)

Cardania - Single Handle High Arc Pull-Down Kitchen Faucet



Model No. :

- 192-6413 (Polished Chrome)
- 192-6414 (Brushed Nickel **Spotless PVD**)
- 192-6415 (Oil-Rubbed Bronze)
- 192-7156 (Matte Gold)
- 192-7157 (Matte Black)

No.	Part Name	Material
1	Spout	Brass
2	Hose Guide	Plastic
3	Ring	Plastic
4	Pull-out Hose	Nylon
5	Spray Head	Plastic
6	Rings	Plastic
7	O-ring	Rubber
8	Connector	Brass
9	Retainer	Plastic
10	Body	Zinc
11	Handle	Zinc
12	Index	Plastic
13	Set Screw	Stainless Steel
14	Trim Cap	Brass
15	Cartridge Locknut	Brass
16	Cartridge	Ceramic
17	Cartridge Base	Brass
18	O-ring	Rubber
19	Waterway	Brass & Copper
20	Check Valve	Plastic
21	Quick Connect Assembly	Plastic
22	Threaded Shank	Stainless Steel
23	Protective Sleeve	Plastic
24	Gasket Assembly	Rubber+Stainless Steel
25	Lock Nut	Zinc
26	Screws	Stainless Steel
27	Deck Plate	Zinc
28	Gasket	Plastic
29	Seal	Sponge
30	Weight	Plastic+Steel
31	Allen Wrench	Steel
32	Rubber Washer	Rubber
33	Metal Washer	Stainless Steel

Cartridge (Type Q)
Model : 892-6502



Technical Support: warranty@cmiproduct.com
 Hour of Operation: Mon - Fri 8:30 a.m - 5:00 p.m. EST