

Cardania - Two Handle Bar Faucet



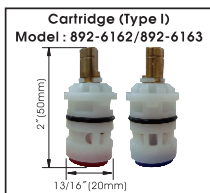
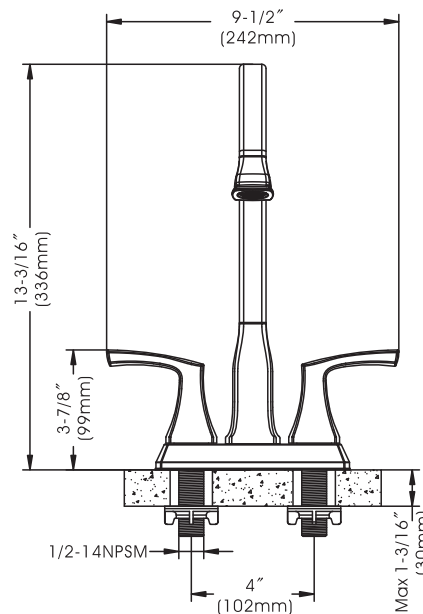
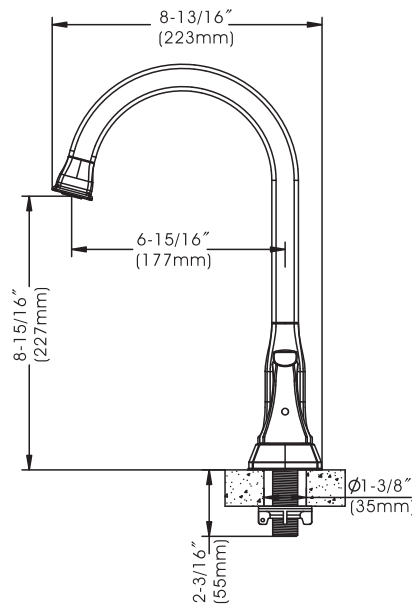
- * 4" Center-set, 2 Hole Installation
- * 8-15/16" High and 6-15/16" Long 360° Swing Brass Spout
- * 3-7/8" High Zinc Handle
- * Brass Waterway Construction with 1/2" -14 NPSM Connection
- * Sleek and Functional Two Handle Design
- * 1/4 Turn Ceramic Cartridges (Type I)
- * Flow Rate: 1.8GPM (6.8L/MIN) MAX @ 60PSI
- * 100% Pressure System Tested
- * Lifetime Limited Warranty; 5 year warranty from date of purchase for Commercial use

Project / Job Name	
Architect / Engineer	
Contractor	
Model	
Quantity	

Model No. :

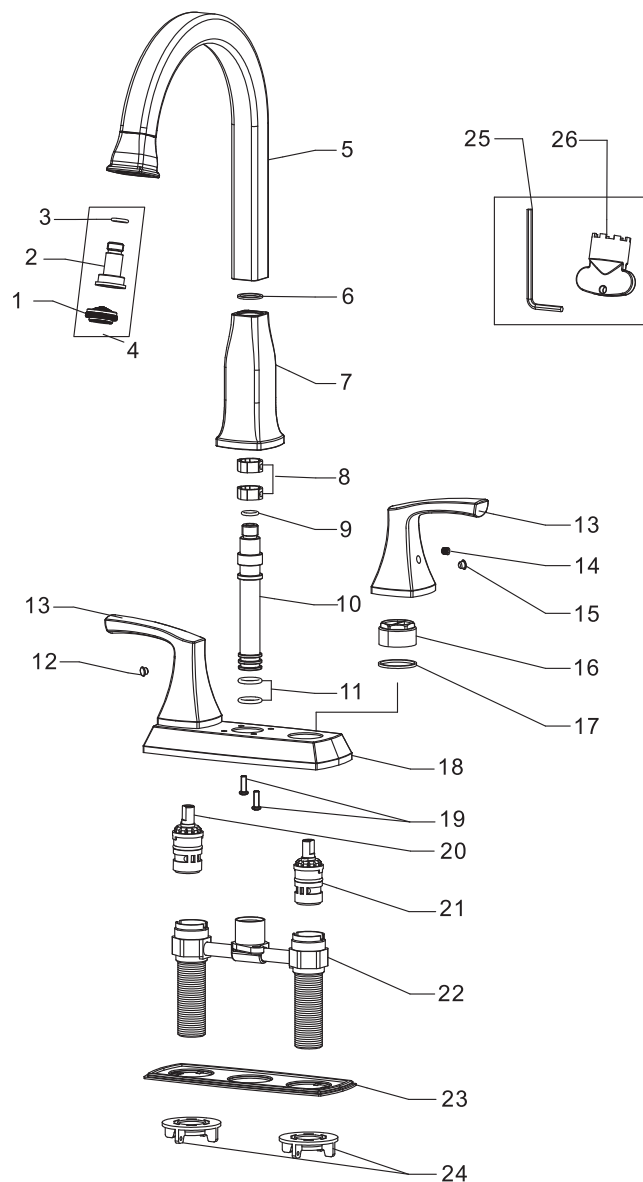
192-6416 (CH)
 192-6417 (BN *Spotless PVD*)
 192-6418 (ORB)
 192-7158 (MG)
 192-7159 (MB)

 (Shown Model)



- Product Compliance:**
- ASME A112.18.1 / CSA B125.1
 - NSF 61 - Section 9
 - NSF 372 (Low Lead Content)
 - ANSI A117.1 (ADA)

Cardania - Two Handle Bar Faucet



Model No. :

- 192-6416 (Polished Chrome)
- 192-6417 (Brushed Nickel **Spotless PVD**)
- 192-6418 (Oil-Rubbed Bronze)
- 192-7158 (Matte Gold)
- 192-7159 (Matte Black)

No.	Part Name	Material
1	Aerator	Plastic
2	Connector	Brass
3	O-ring	Rubber
4	Aerator Assembly	Plastic+Brass+Rubber+Zinc
5	Spout	Brass
6	Wearing Ring	Plastic
7	Body	Zinc
8	Retainers	Plastic
9	O-ring	Rubber
10	Inlet	Brass
11	O-rings	Rubber
12	Index (Hot)	Rubber
13	Handle	Zinc
14	Set Screw	Stainless Steel
15	Index (Cold)	Rubber
16	Cartridge Lock Nut	Zinc
17	Plastic Washer	Plastic
18	Deck Plate	Zinc
19	Screws	Stainless Steel
20	Cartridge (Hot)	Ceramic
21	Cartridge (Cold)	Ceramic
22	Brazed Underbody	Brass
23	Gasket	Plastic
24	Lock Nuts	Plastic
25	Allen Wrench	Steel
26	Aerator Wrench	Plastic

Cartridge (Type I)
Model : 892-6162/892-6163



Technical Support: warranty@cmiproduct.com
Hour of Operation: Mon - Fri 8:30 a.m - 5:00 p.m. EST