

Aegean - Single Handle Bathroom Faucet

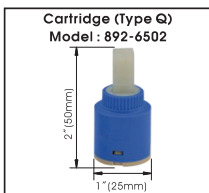
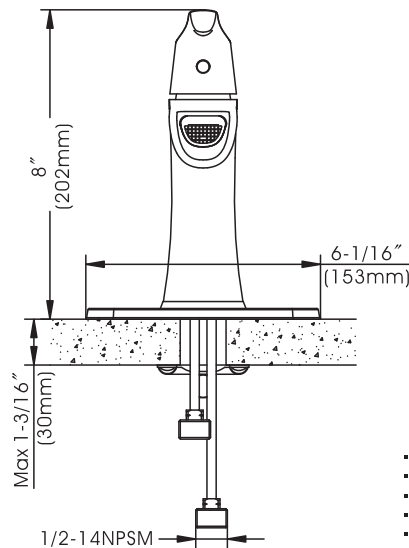
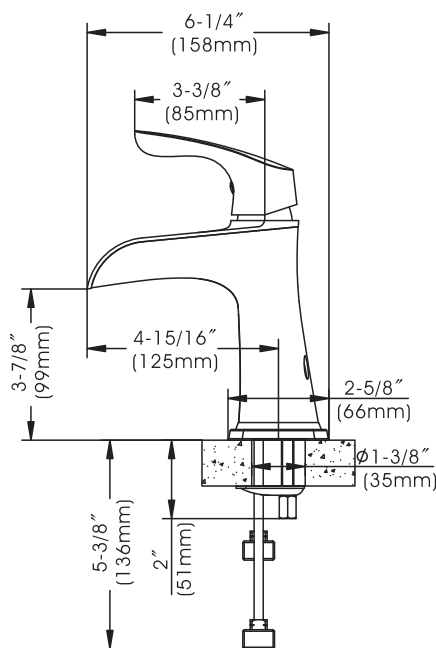


- * Includes Zinc Deck Plate for 1 or 3 Hole Installation
- * Brass Pop-Up Drain Assembly with Lift Rod Included
- * 3-7/8" High and 4-15/16" Long Brass Spout, Zinc Body, Zinc Handle
- * Brass & Copper Waterway Construction with 1/2" -14 NPSM Connection
- * Premium Grade Ceramic Cartridge (Type Q)
- * Flow Rate: 1.2 GPM (4.5L/MIN) MAX @ 60PSI
- * 100% Pressure System Tested
- * Lifetime Limited Warranty; 5 year Warranty from Date of Purchase for Commercial Use

Project / Job Name	
Architect / Engineer	
Contractor	
Model	
Quantity	

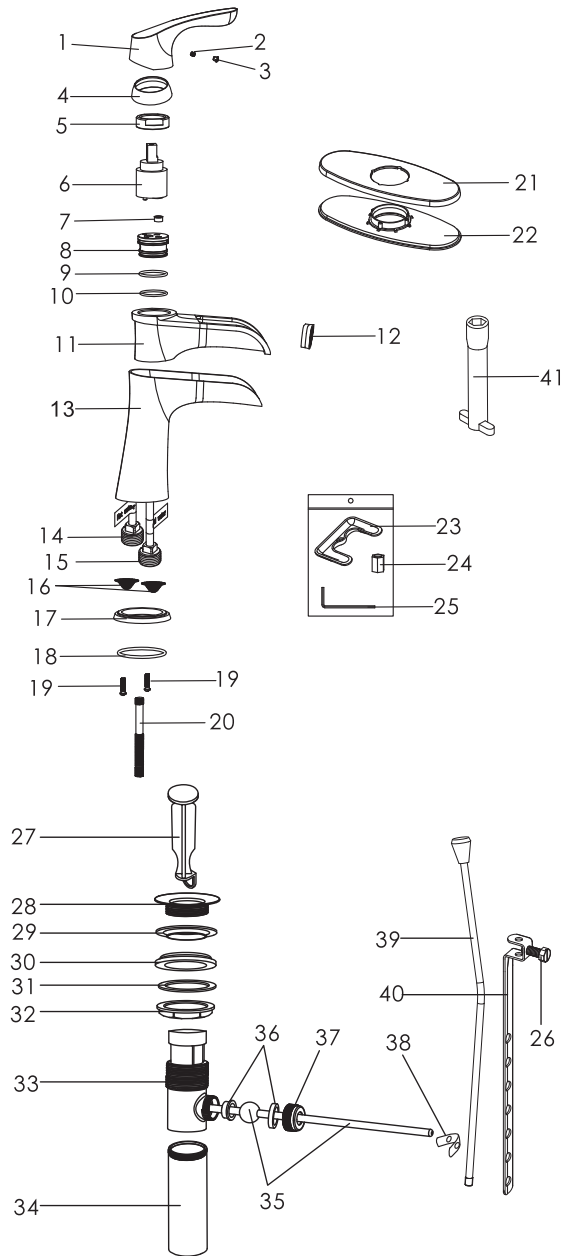
Model No. :

192-6431 (CH)
 192-6432 (BN *Spotless PVD*)
 192-6433 (ORB) **(Shown Model)**
 192-7504 (MB)



- Product Compliance:**
- ASME A112.18.1 / CSA B125.1
 - NSF 61 - Section 9
 - NSF 372 (Low Lead Content)
 - ANSI A117.1 (ADA)
 - EPA - Water Sense

Aegean - Single Handle Bathroom Faucet



Model No. :

192-6431 (Polished Chrome)

192-6432 (Brushed Nickel **Spotless PVD**)

192-6433 (Oil-Rubbed Bronze)

192-7504 (Matte Black)

No.	Part Name	Material
1	Handle	Zinc
2	Set Screw	Stainless Steel
3	Index	Plastic
4	Trim Cap	Brass
5	Lock Nut	Brass
6	Cartridge	Ceramic
7	Flow Restrictor	Plastic
8	Cartridge Seat	Brass
9	O-ring	Rubber
10	O-ring	Rubber
11	Spout	Brass
12	Aerator	Plastic
13	Body	Zinc
14	Copper Tube (Hot)	Brass + Copper
15	Copper Tube (Cold)	Brass + Copper
16	Screen Filter	Stainless Steel
17	Base	Zinc
18	O-ring	Rubber
19	Screw	Stainless Steel
20	Mounting Bolt	Stainless Steel
21	Deck Plate	Zinc
22	Gasket	Plastic
23	Clamp	Stainless Steel
24	Lock Nut	Brass
25	Allen Wrench	Steel
26	Lift Rod Strap Screw	Steel
27	Drain Stopper	Steel
28	Flange	Steel
29	Top Rubber Washer	Rubber
30	Bottom Rubber Washer	Rubber
31	Washer	Plastic
32	Lock Nut	Zinc
33	Drain Body	Brass
34	Tailpiece	Brass
35	Ball Rod	Stainless Steel+Plastic
36	Ball Rod Gasket	Plastic
37	Ball Nut	Brass
38	Spring Clip	Stainless Steel
39	Lift Rod	Stainless Steel
40	Lift Rod Strap	Steel
41	Socket Wrench	Plastic

Cartridge (Type Q)
Model : 892-6502



Technical Support: warranty@cmiproduct.com
 Hour of Operation: Mon - Fri 8:00 a.m - 5:00 p.m. EST