

Aegean - Wide Spread Bathroom Faucet



- * Wide Spread 6" - 10" Center-set, 3 Hole Installation
- * Brass Pop-up Drain Assembly Included
- * 3-7/8" High and 5-3/8" Long Brass Spout, Zinc Handle, Zinc Body
- * "Quick Connect" Type Connection Hose
- * 1/4 Turn Premium Grade Ceramic Cartridges (Type J)
- * Brass Waterway Construction with 1/2" -14 NPSM Connection
- * Flow Rate: 1.2 GPM @ 60PSI
- * 100% Pressure System Tested
- * Lifetime Limited Warranty; 5 year warranty from date of purchase for Commercial users.

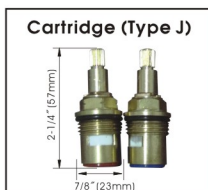
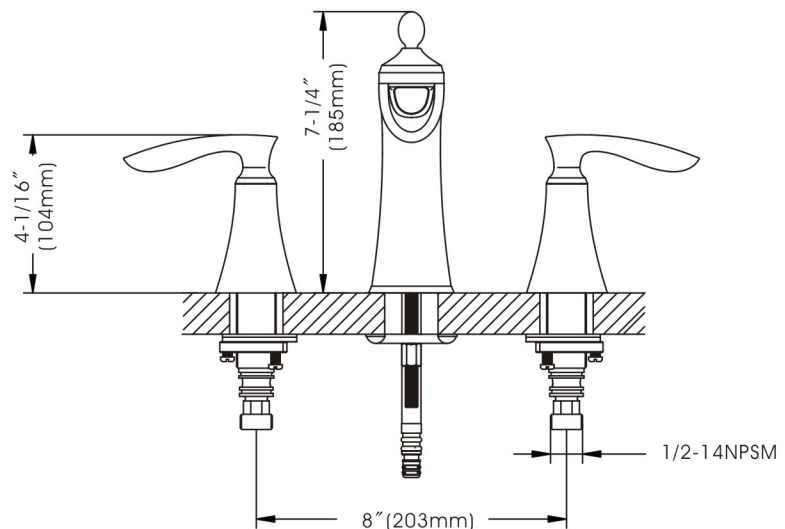
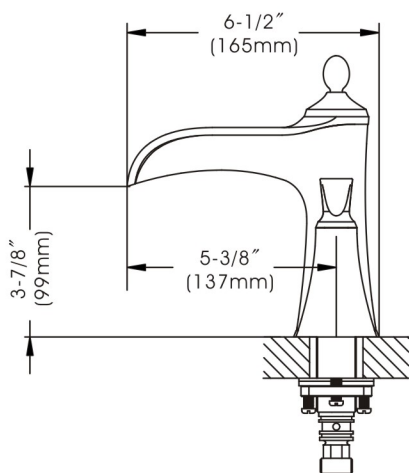
Project / Job Name	
Architect / Engineer	
Contractor	
Model	
Quantity	

Model No. :

192-6437 (CH)

192-6438 (BN *Spotless PVD*)
 (Shown Model)

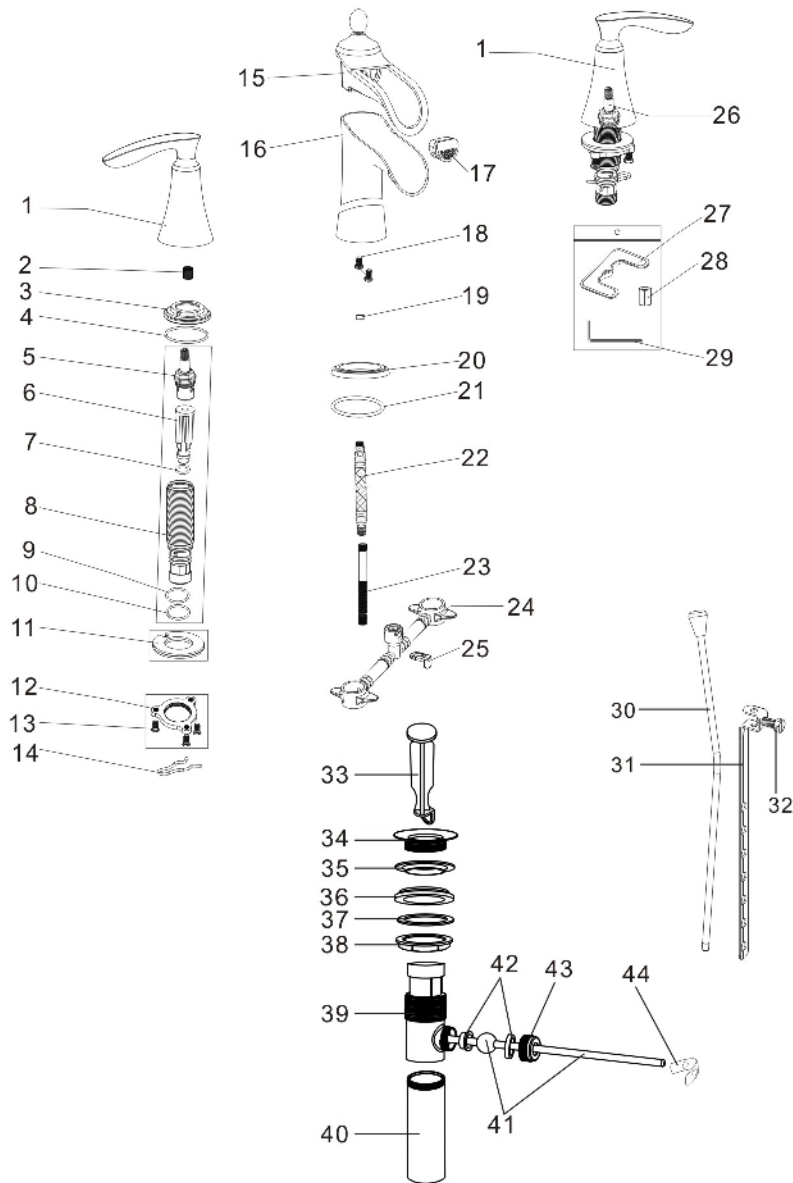
192-6439 (ORB)



Product Compliance:

- ASME A112.18.1 / CSA B125.1
- NSF 61 - Section 9
- NSF 372 (Low Lead Content)
- ANSI A117.1 (ADA)
- EPA - Water Sense

Aegean - Wide Spread Bathroom Faucet



Model No. :

192-6437 (Polished Chrome)

192-6438 (Brushed Nickel *Spotless PVD*)

192-6439 (Oil-Rubbed Bronze)

No.	Part Name	Material
1	Handle	Zinc
2	Handle Adapter	Plastic
3	Cartridge Locknut	Zinc
4	O-ring	Rubber
5	Cartridge(Hot Water)	Brass
6	Cartridge Seat	Plastic
7	O-ring	Rubber
8	Brass Valve Body	Brass
9	O-ring	Rubber
10	O-ring	Rubber
11	Clamp	Rubber-Stainless Steel
12	Locknut	Zinc
13	Screw	Stainless Steel
14	Clip	Stainless Steel
15	Spout	Brass
16	Body	Zinc
17	Aerator	Plastic
18	Screw	Stainless Steel
19	Flow Restrictor	Plastic
20	Base	Zinc
21	O-ring	Rubber
22	Connect Hose	Nylon
23	Screw	Stainless Steel
24	Quick Connect Hose	Plastic
25	Plastic Lock Ring	Plastic
26	Cartridge(Cold Water)	Brass
27	Clamp	Stainless Steel
28	Locknut	Brass
29	Allen Key	Steel
30	Lift Rod	Stainless Steel
31	Extend Rod	Steel
32	Extend Rod Screw	Steel
33	Drain Stopper	Brass
34	Flange	Brass
35	Top Rubber Washer	Rubber
36	Bottom Rubber Washer	Rubber
37	Washer	Plastic
38	Locknut	Zinc
39	Drain Body	Brass
40	Tailpiece	Brass
41	Horizontal Rod	Plastic-Stainless Steel
42	Rod Ball Plastic Gasket	Plastic
43	Rod Guide Nut	Brass
44	Spring Clip	Stainless Steel

Cartridge (Type J)



Technical Support: warranty@cmiproduct.com
 Hour of Operation: Mon - Fri 8:00 a.m - 5:00 p.m. EST