

Aegean - Roman Tub Faucet

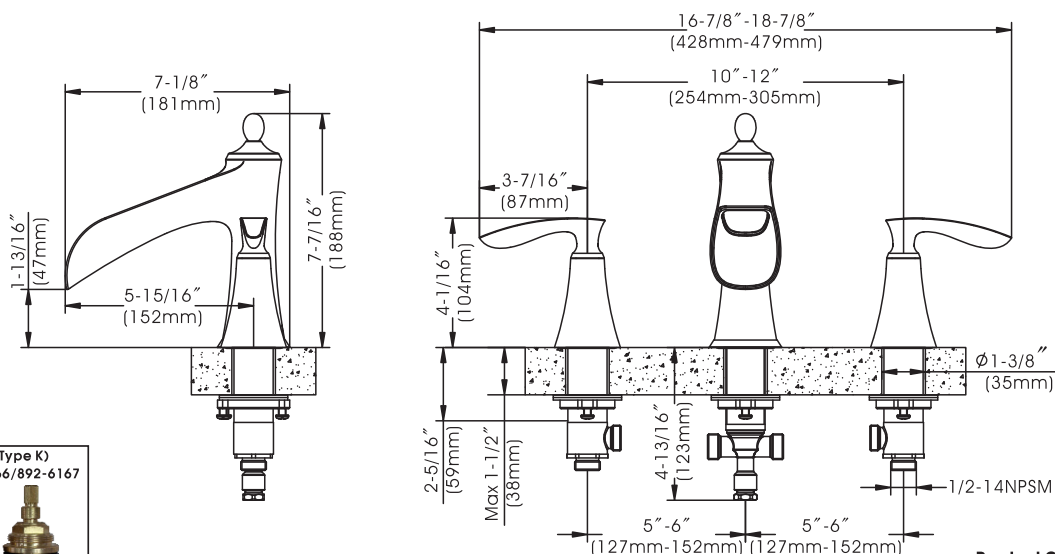


- * 1-13/16" High and 5-15/16" Long Brass Spout, Zinc Handles
- * Solid Brass Waterway Construction with 1/2" -14 NPSM Connection
- * 1/4 Turn Premium Grade High Flow Rate Ceramic Cartridges (Type K)
- * Flow Rate: 18.0GPM (68.1L/MIN) MAX @ 80PSI
- * 100% Pressure System Tested
- * Lifetime Limited Warranty; 5 year Warranty from Date of Purchase for Commercial Use

Project / Job Name	
Architect / Engineer	
Contractor	
Model	
Quantity	

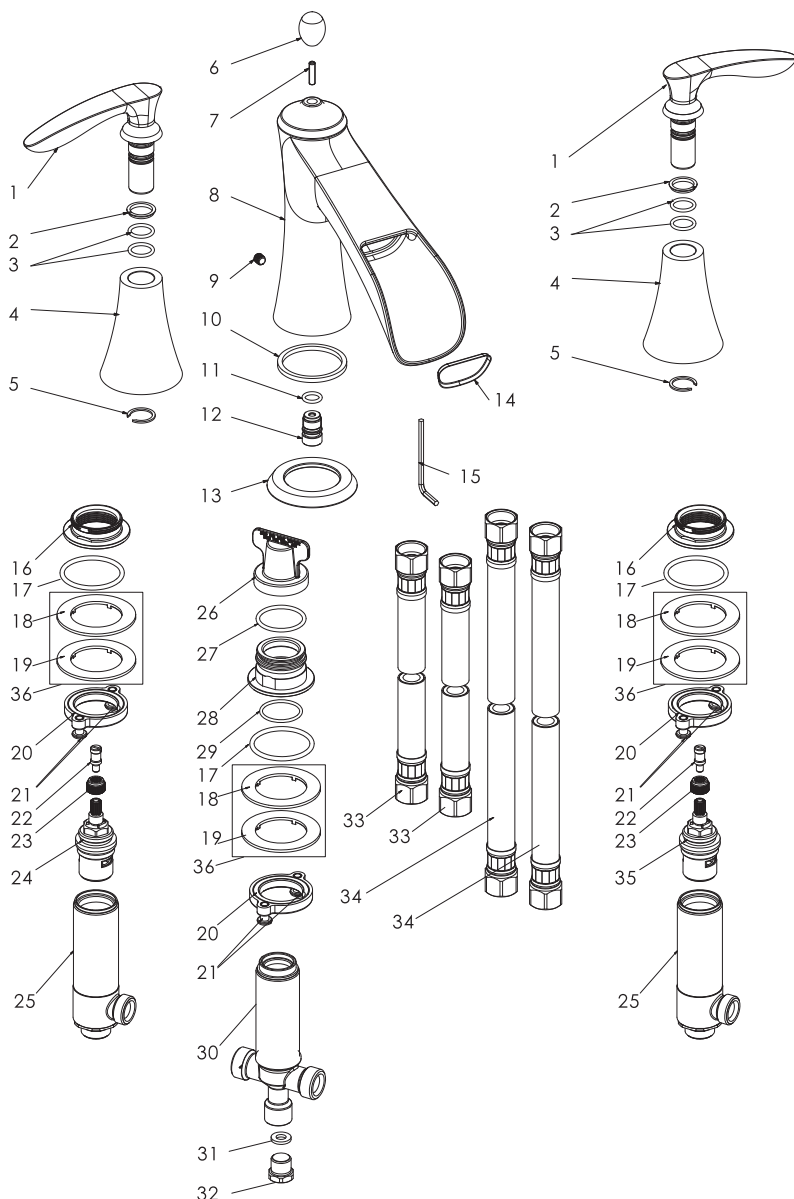
Model No. :

- 192-6440 (CH)
 192-6441 (BN *Spotless PVD*) **(Shown Model)**
 192-6442 (ORB)
 192-7508 (MB)



- Product Compliance:**
- ASME A112.18.1 / CSA B125.1
 - ANSI A117.1 (ADA)

Aegean - Roman Tub Faucet



Model No. :

192-6440 (Polished Chrome)

192-6441 (Brushed Nickel **Spotless PVD**)

192-6442 (Oil-Rubbed Bronze)

192-7508 (Matte Black)

No.	Part Name	Material
1	Handle	Zinc
2	O-ring	Plastic
3	O-rings	Rubber
4	Handle Body	Zinc
5	Handle Connector	Stainless Steel
6	Knob	Zinc
7	Knob Connector	Stainless Steel
8	Spout	Brass
9	Set Screw	Stainless Steel
10	Washer	Rubber
11	O-ring	Rubber
12	Stopper	Brass
13	Spout Base	Brass
14	Aerator	Plastic
15	Allen Wrench	Stainless Steel
16	Cartridge Lock Nut	Brass
17	O-ring	Rubber
18	Rubber Washer	Rubber
19	Metal Washer	Stainless Steel
20	Lock Nut	Brass
21	Screws	Stainless Steel
22	Set Screw	Stainless Steel
23	Handle Adapter	Plastic
24	Cartridge (Hot)	Ceramic
25	Brass Valve Body	Brass
26	Cap	Plastic
27	O-ring	Rubber
28	Spout Lock Nut	Brass
29	O-ring	Rubber
30	Brass Waterway	Brass
31	Washer	Rubber
32	Stopper	Brass
33	Connect Hoses	Stainless Steel
34	Connect Hoses	Stainless Steel
35	Cartridge (Cold)	Ceramic
36	Gasket Assembly	Rubber + Stainless Steel

Cartridge (Type K)
Model : 892-6166/892-6167

