

Casmir - Single Handle Pull-Out Kitchen Faucet



- * Includes Zinc Deck Plate for 1 or 3 Hole Installation
- * 14" High and 7-11/16" Long 360° Swing Spout
- * 6-7/8" High Zinc Handle, Zinc Body
- * Matching Two Function (Spray & Rinse) Pull-Out Spray Head
- * Copper Waterway Construction with 1/2" -14 NPSM Connection
- * 60" Quick Connect Flexible Nylon Hose
- * Premium Grade Ceramic Cartridge (Type G)
- * Flow Rate: 1.8GPM (6.8L/MIN) MAX @ 60PSI
- * 100% Pressure System Tested
- * Lifetime Limited Warranty; 5 year warranty from date of purchase for Commercial use.

Project / Job Name	
Architect / Engineer	
Contractor	
Model	
Quantity	

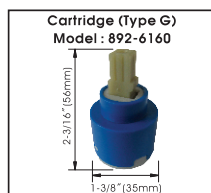
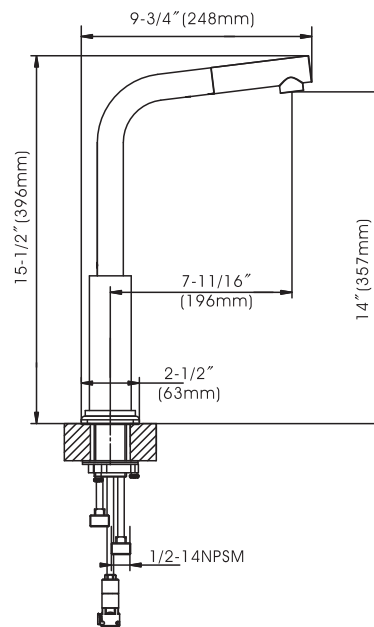
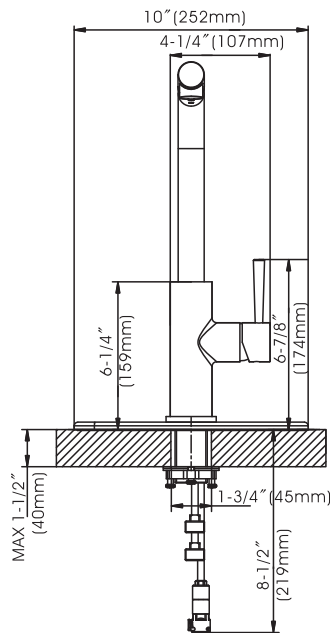
Model No. :

192-6468 (CH)

192-6469 (BN *Spotless PVD*)
(Shown Model)

192-7160 (MG)

192-7161 (MB)



Product Compliance:

- ASME A112.18.1 / CSA B125.1
- NSF 61 - Section 9
- NSF 372 (Low Lead Content)
- ANSI A117.1 (ADA)

Casmir - Single Handle Pull-Out Kitchen Faucet

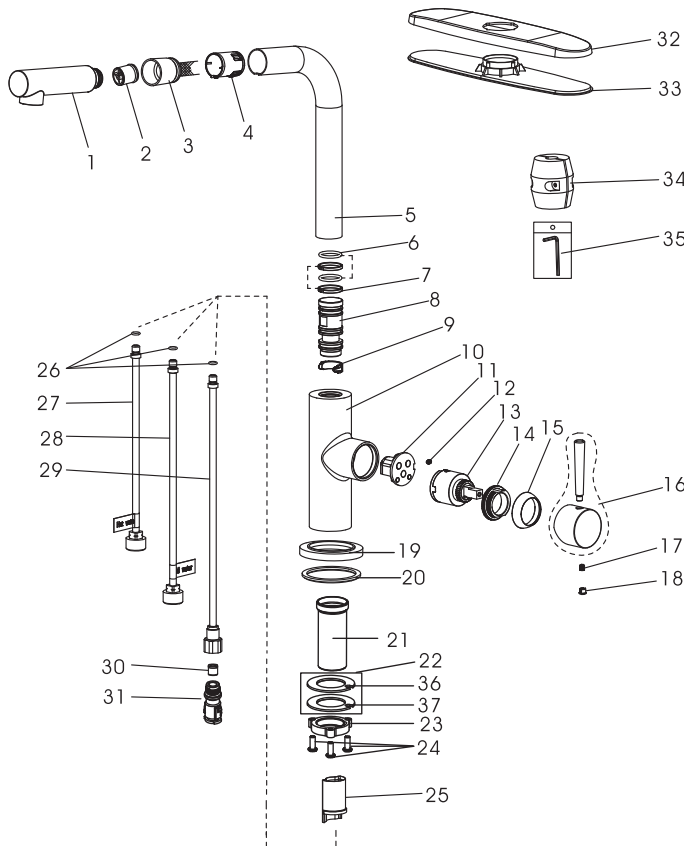
Model No. :

192-6468 (Polished Chrome)

192-6469 (Brushed Nickel **Spotless PVD**)

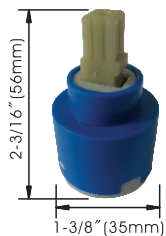
192-7160 (Matte Gold)

192-7161 (Matte Black)



No.	Part Name	Material
1	Spray Head	Plastic
2	Check Valve	Plastic
3	Hose	Nylon
4	Hose Guide	Plastic
5	Spout	Stainless Steel
6	O-rings	Rubber
7	Rings	Plastic
8	Connector	Brass
9	Retainer	Plastic
10	Body	Zinc
11	Cartridge Base	Brass
12	Screw	Stainless Steel
13	Cartridge	Ceramic
14	Cartridge Lock Nut	Brass
15	Trim Cap	Brass
16	Handle	Zinc
17	Set Screw	Stainless Steel
18	Index	Rubber
19	Base	Zinc
20	O-ring	Rubber
21	Shank	Stainless Steel
22	Gasket Assembly	Stainless Steel+Rubber
23	Lock Nut	Zinc
24	Screws	Stainless Steel
25	Protective Sleeve	Plastic
26	O-rings	Rubber
27	Copper Tube (Hot)	Copper
28	Copper Tube (Cold)	Copper
29	Outlet Tube	Copper
30	Stop Valve	Plastic
31	Quick Connect Assembly	Plastic
32	Deck Plate	Zinc
33	Gasket	Plastic
34	Weight	Steel+Plastic
35	Allen Wrench	Steel
36	Rubber Washer	Rubber
37	Metal Washer	Stainless Steel

Cartridge (Type G)
Model : 892-6160



Technical Support: warranty@cmiproduct.com
Hour of Operation: Mon - Fri 8:30 a.m - 5:00 p.m. EST