

Aegean - Single Handle Decorative Coil Kitchen Faucet



- * Includes Zinc Deck Plate for 1 or 3 Hole Installation
- * 7-1/2" High and 9-3/16" Long 360° Swing Coil Spout
- * 6-3/16" High Zinc Handle, Zinc Body
- * Matching Two Function (Spray & Stream) Spray Head
- * Brass & Copper Waterway Construction with 1/2"-14 NPSM Connection
- * Premium Grade Ceramic Cartridge (Type G)
- * Flow Rate: 1.8GPM (6.8L/MIN)MAX @ 60PSI
- * 100% Pressure System Tested
- * Lifetime Limited Warranty; 5 year Warranty from Date of Purchase for Commercial Use

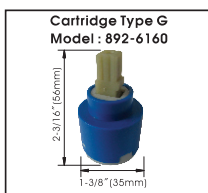
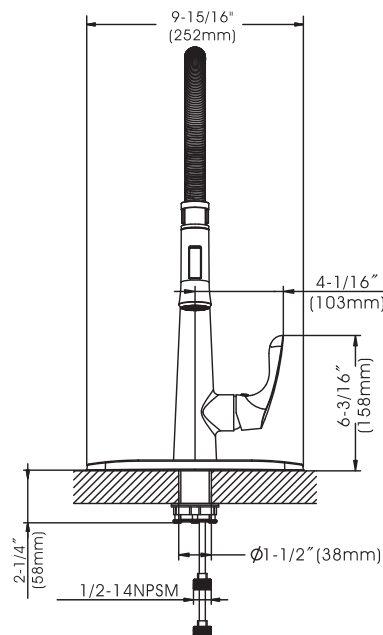
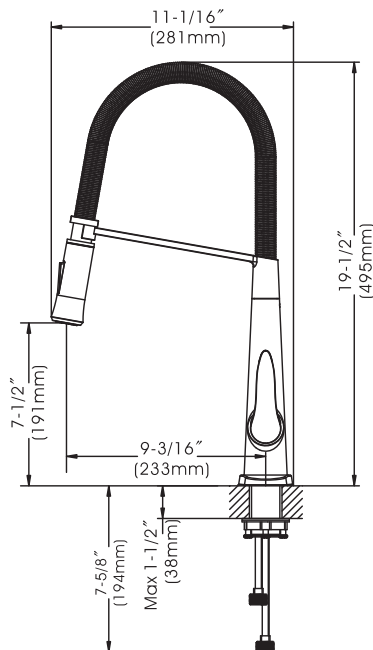
Project / Job Name	
Architect / Engineer	
Contractor	
Model	
Quantity	

Model No. :

192-6471 (CH)

192-6472 (BN *Spotless PVD*)
(Shown Model)

192-7503 (MB)



Product Compliance:

- ASME A112.18.1 / CSA B125.1
- NSF 61 - Section 9
- NSF 372 (Low Lead Content)
- ANSI A117.1 (ADA)

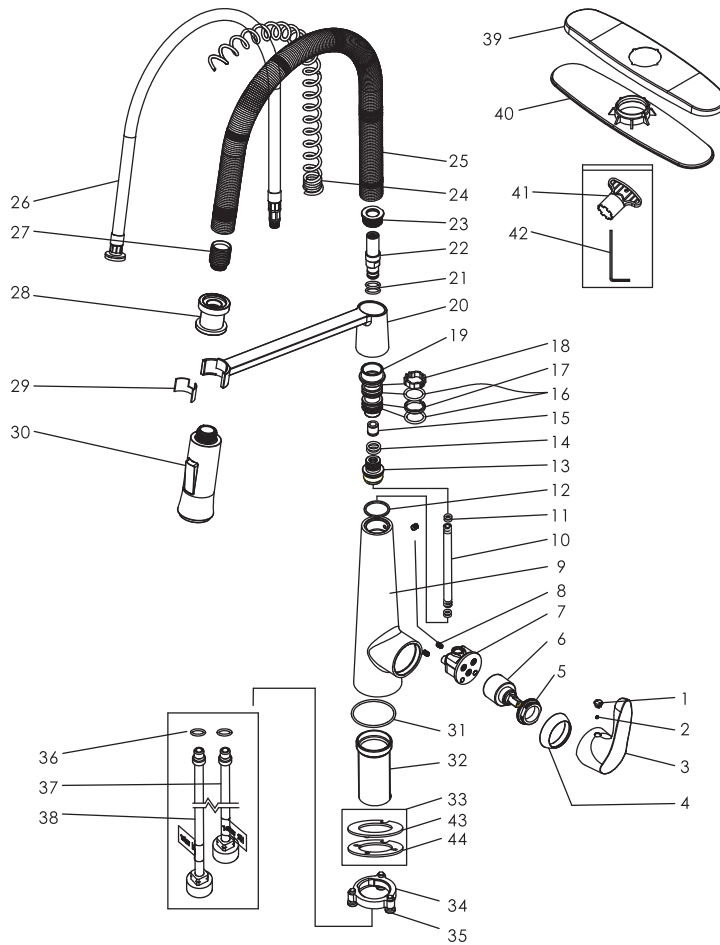
Aegean - Single Handle Coil Pull-Down Kitchen Faucet

Model No. :

192-6471 (Polished Chrome)

192-6472 (Brushed Nickel Spaless PVD)

192-7503 (Matte Black)



No.	Part Name	Material
1	Index	Plastic
2	Set Screw	Stainless Steel
3	Handle	Zinc
4	Trim Cap	Brass
5	Cartridge Lock Nut	Brass
6	Cartridge	Ceramic
7	Cartridge Base	Brass
8	Screws	Stainless Steel
9	Body	Zinc
10	Hose	Brass
11	O-ring	Rubber
12	Wearing Ring	Plastic
13	Connector	Brass
14	O-ring	Rubber
15	Check Valve	Plastic
16	O-rings	Rubber
17	Ring	Plastic
18	Wearing Ring	Plastic
19	Connector	Brass
20	Spray Head Holder	Zinc
21	O-rings	Rubber
22	Adapter	Brass
23	Spring Seat	Brass
24	Spring Housing	Stainless Steel
25	Spring	Stainless Steel
26	Hose	Nylon
27	Spring Connector	Brass
28	Spray Hose Connector	Brass
29	Sleeve	Plastic
30	Spray Head	Plastic
31	O-ring	Rubber
32	Shank	Stainless Steel
33	Gasket Assembly	Stainless Steel+Rubber
34	Lock Nut	Zinc
35	Screws	Stainless Steel
36	O-rings	Rubber
37	Copper Tube (Cold)	Copper
38	Copper Tube (Hot)	Copper
39	Deck Plate	Zinc
40	Gasket	Plastic
41	Aerator Wrench	Plastic
42	Allen Wrench	Steel
43	Rubber Washer	Rubber
44	Metal Washer	Stainless Steel

Cartridge Type G
Model : 892-6160



Technical Support: warranty@cmiproduct.com
Hour of Operation: Mon - Fri 8:00 a.m - 5:00 p.m. EST