

Casmir - Single Handle Bathroom Faucet

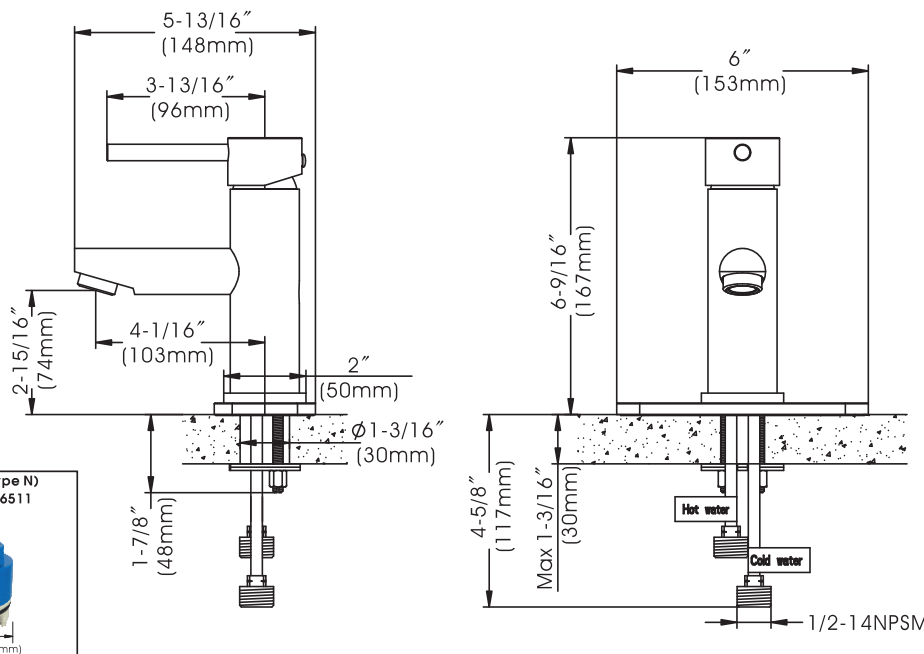


- * Includes Stainless Steel Deck Plate for 1 or 3 Hole Installation
- * Brass Pop-Up Drain Assembly with Lift Rod Included
- * 2-15/16" High and 4-1/16" Long Brass Spout, Zinc Handle
- * Brass & Copper Waterway Construction with 1/2"-14 NPSM Connection
- * Premium Grade Ceramic Cartridge (Type N)
- * Flow Rate: 1.2GPM (4.5L/MIN) MAX @ 60PSI
- * 100% Pressure System Tested
- * Lifetime Limited Warranty; 5 year warranty from date of purchase for Commercial use.

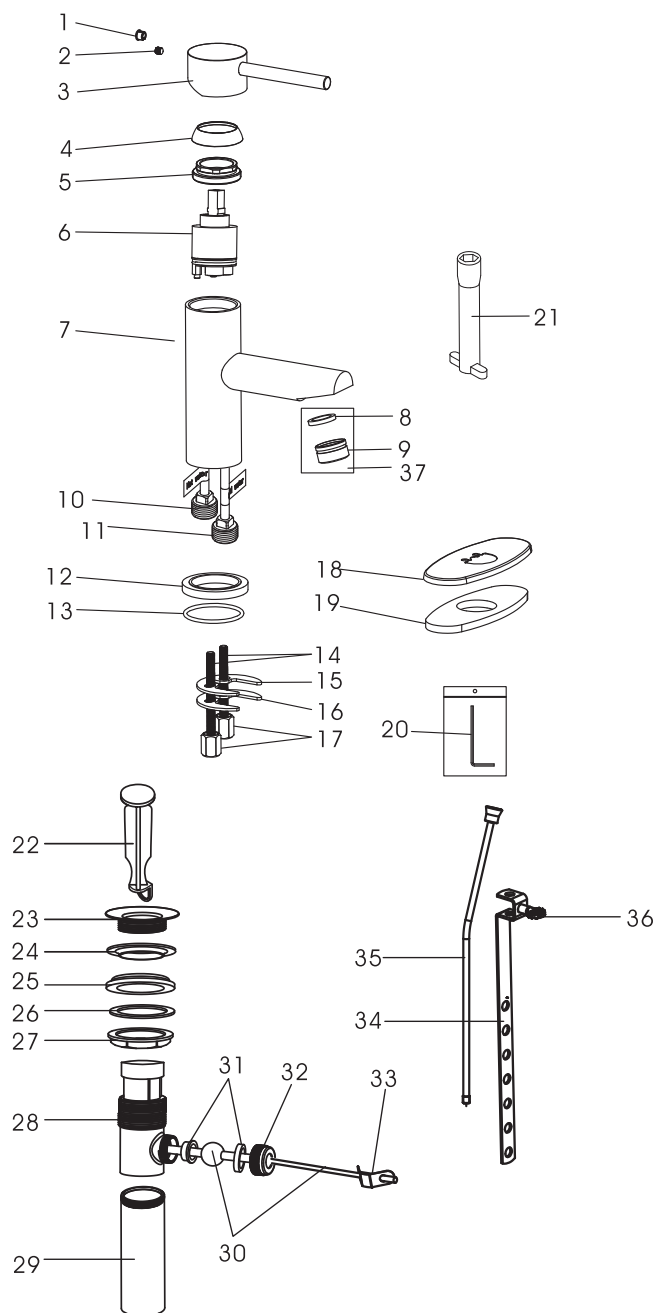
Project / Job Name	
Architect / Engineer	
Contractor	
Model	
Quantity	

Model No. :

- 192-6477 (CH) (Shown Model)
 192-6478 (BN Spotless PVD)
 192-7162 (MG)
 192-7163 (MB)



Casmir - Single Handle Bathroom Faucet



Model No. :

192-6477 (Polished Chrome)

192-6478 (Brushed Nickel **Spotless PVD**)

192-7162 (Matte Gold)

192-7163 (Matte Black)

No.	Part Name	Material
1	Index	Plastic
2	Set Screw	Stainless Steel
3	Handle	Zinc
4	Trim Cap	Brass
5	Cartridge Lock Nut	Brass
6	Cartridge	Ceramic
7	Body	Brass
8	O-ring	Rubber
9	Aerator	Brass
10	Copper Tube (Hot)	Copper/Brass
11	Copper Tube (Cold)	Copper/Brass
12	Base	Zinc
13	O-ring	Rubber
14	Mounting Bolts	Stainless Steel
15	Rubber Washer	Rubber
16	Clamp	Stainless Steel
17	Lock Nuts	Brass
18	Deck Plate	Stainless Steel
19	Gasket	Sponge
20	Allen Wrench	Steel
21	Socket Wrench	Plastic
22	Drain Stopper	Brass
23	Flange	Brass
24	Top Rubber Washer	Rubber
25	Bottom Rubber Washer	Rubber
26	Washer	Plastic
27	Lock Nut	Zinc
28	Drain Body	Brass
29	Tailpiece	Brass
30	Ball Rod	Stainless Steel+Plastic
31	Ball Rod Gasket	Plastic
32	Ball Nut	Brass
33	Spring Clip	Stainless Steel
34	Lift Rod Strap	Steel
35	Lift Rod	Stainless Steel
36	Lift Rod Strap Screw	Stainless Steel
37	Aerator Assembly	Rubber+Brass

Cartridge (Type N) Mode : 892-6511



Technical Support: warranty@cmiproduct.com
 Hour of Operation: Mon - Fri 8:30 a.m - 5:00 p.m. EST