

Casmir Series Contractor Six Function Tub and Shower Trim Pack

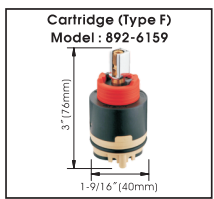
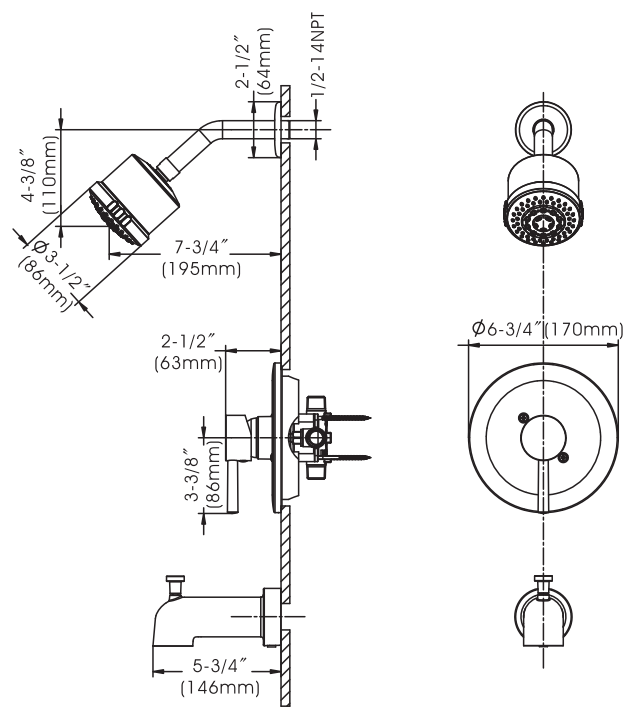


Model No. : 192-6489

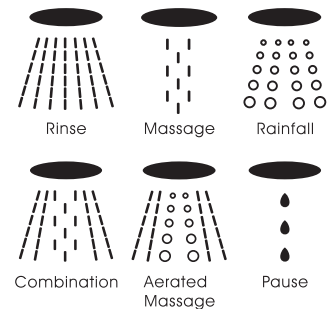
- * One Piece Pressure Balanced Ceramic Cartridge with Balancing Spool
- * 3-1/2" Six Function Shower Head
- * Stainless Steel Shower Arm with Flange
- * Stainless Steel Escutcheon with Screws
- * Zinc Handle
- * Matching Finish Trim Sleeve
- * 5-3/4" Diverter Tub Spout with easy "Snap In" design
- * Shower Head Flow Rate: 1.5 GPM (5.7 L/MIN) MAX @ 80PSI
- * Tub Spout Flow Rate: 6.5 GPM (24.7 L/MIN) MAX @ 80PSI
- * 100% Pressure System Tested
- * Lifetime Limited Warranty; 5 year warranty from date of purchase for Commercial use.

Project / Job Name	
Architect / Engineer	
Contractor	
Model	
Quantity	

Model No. :
 192-6489 (CH) 192-6490 (BN *Spotless PVD*) 192-7275 (MB) 192-7276 (MG)
 (Shown Model)

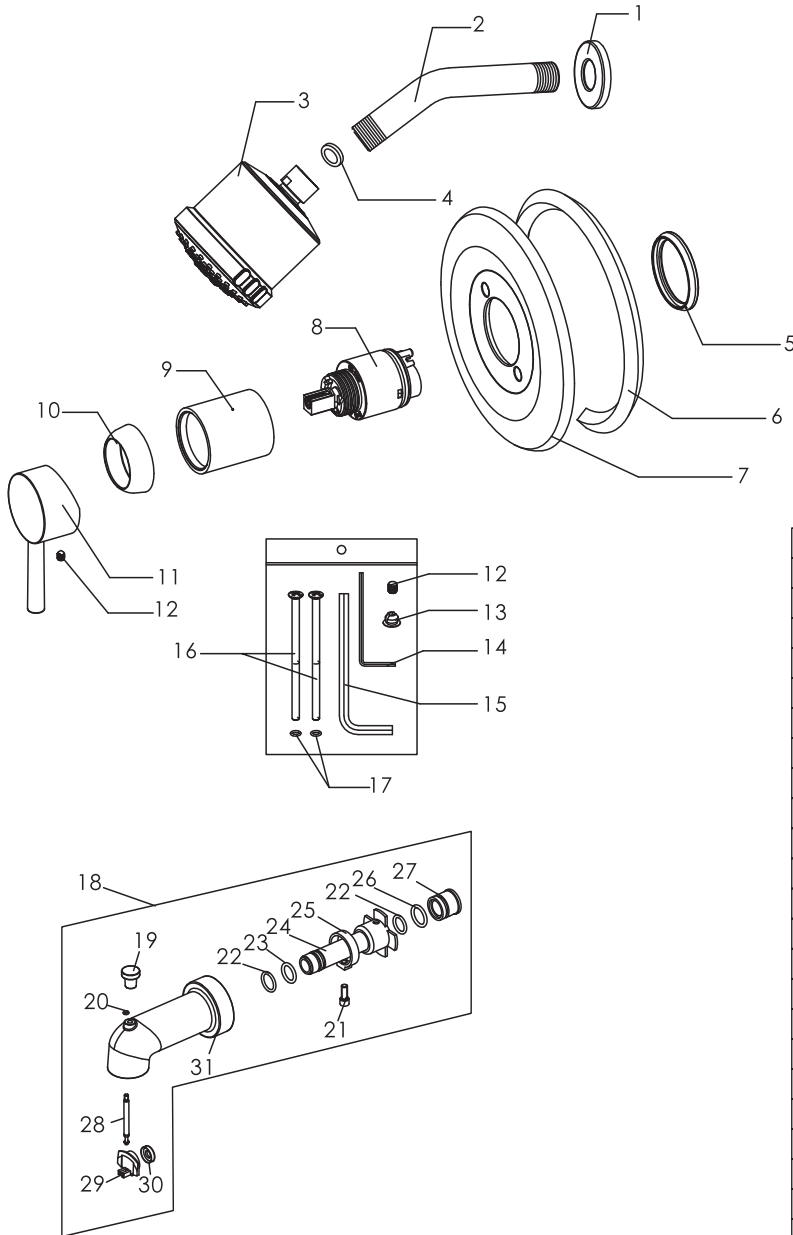


Shower Head Functions :



- Product Compliance:**
- ASME A112.18.1 / CSA B125.1
 - ANSI A117.1 (ADA)
 - ASSE 1016

Casmir Series Contractor Six Function Tub and Shower Trim Pack

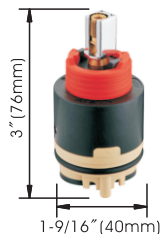


Model No. :

- 192-6489 (Polished Chrome)
- 192-6490 (Brushed Nickel Spotless PVD)
- 192-7275 (Matte Black)
- 192-7276 (Matte Gold)

No.	Part Name	Material
1	Shower Arm Flange	Stainless Steel
2	Shower Arm	Stainless Steel
3	Shower Head	Plastic
4	Washer	Rubber
5	Sealing Ring	Rubber
6	Escutcheon Gasket	Sponge
7	Escutcheon	Stainless Steel
8	Cartridge	Ceramic
9	Cartridge Sleeve	Brass
10	Trim Cap	Brass
11	Handle	Zinc
12	Set Screw	Stainless Steel
13	Index	Plastic
14	Small Allen Wrench	Steel
15	Large Allen Wrench	Steel
16	Escutcheon Screws	Stainless Steel
17	Escutcheon Screw O-rings	Rubber
18	Spout Assembly	Zinc+Brass+Rubber+Stainless Steel+Plastic
19	Knob	Zinc
20	O-ring	Rubber
21	Screw	Stainless Steel
22	O-rings	Rubber
23	O-ring	Rubber
24	Plastic Core	Plastic
25	Ring	Zinc
26	O-ring	Rubber
27	Core Cover	Plastic
28	Pulling Core	Brass
29	Sealing Plate	Plastic
30	Washer	Rubber
31	Spout	Zinc

Cartridge (Type F)
Model : 892-6159



Technical Support: warranty@cmiproduct.com
Hour of Operation: Mon - Fri 8:30 a.m. - 5:00 p.m. EST