

Casmir - Single Handle Bar Faucet



- * Single Hole Installation
- * 9-3/16" High and 6-5/16" Long 360° Brass Swing Spout
- * 5-11/16" High Zinc Handle
- * Copper Waterway Construction with 1/2" -14 NPSM Connection
- * Premium Grade Ceramic Cartridge (Type R)
- * Flow Rate: 1.8GPM (6.8L/MIN) MAX @ 60PSI
- * 100% Pressure System Tested
- * Lifetime Limited Warranty; 5 year warranty from date of purchase for Commercial use.

Project / Job Name	
Architect / Engineer	
Contractor	
Model	
Quantity	

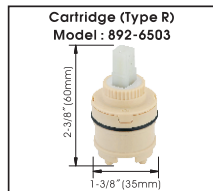
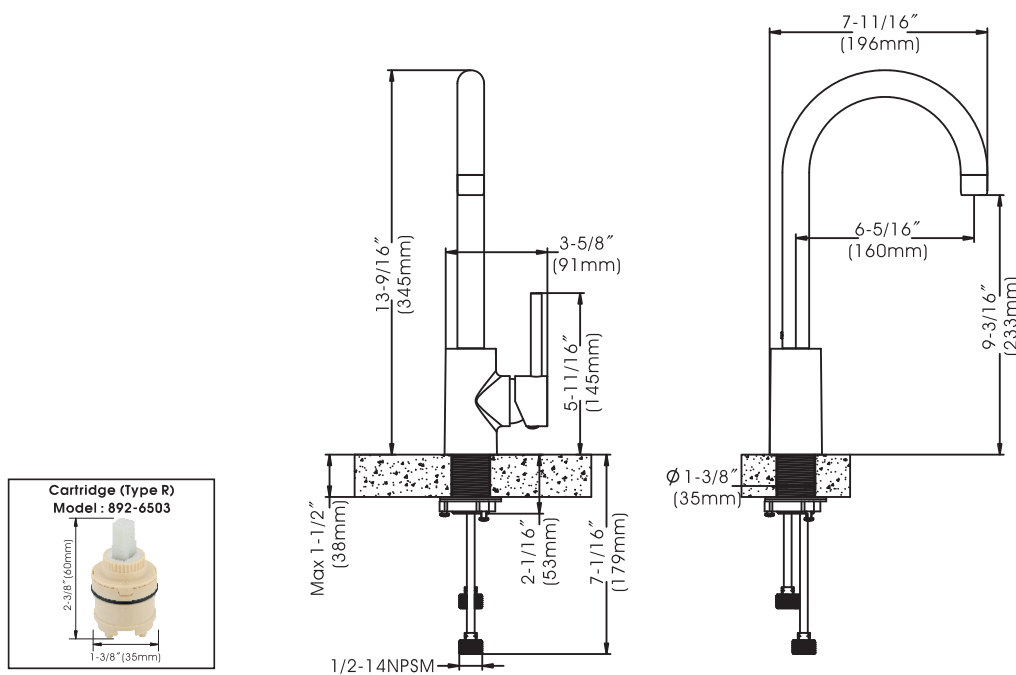
Model No. :

192-6504 (CH)
(Shown Model)

192-6505 (BN Spotless PVD)

192-7170 (MG)

192-7171 (MB)



- Product Compliance:**
- ASME A112.18.1 / CSA B125.1
 - NSF 61 - Section 9
 - NSF 372 (Low Lead Content)
 - ANSI A117.1 (ADA)

Casmir - Single Handle Bar Faucet

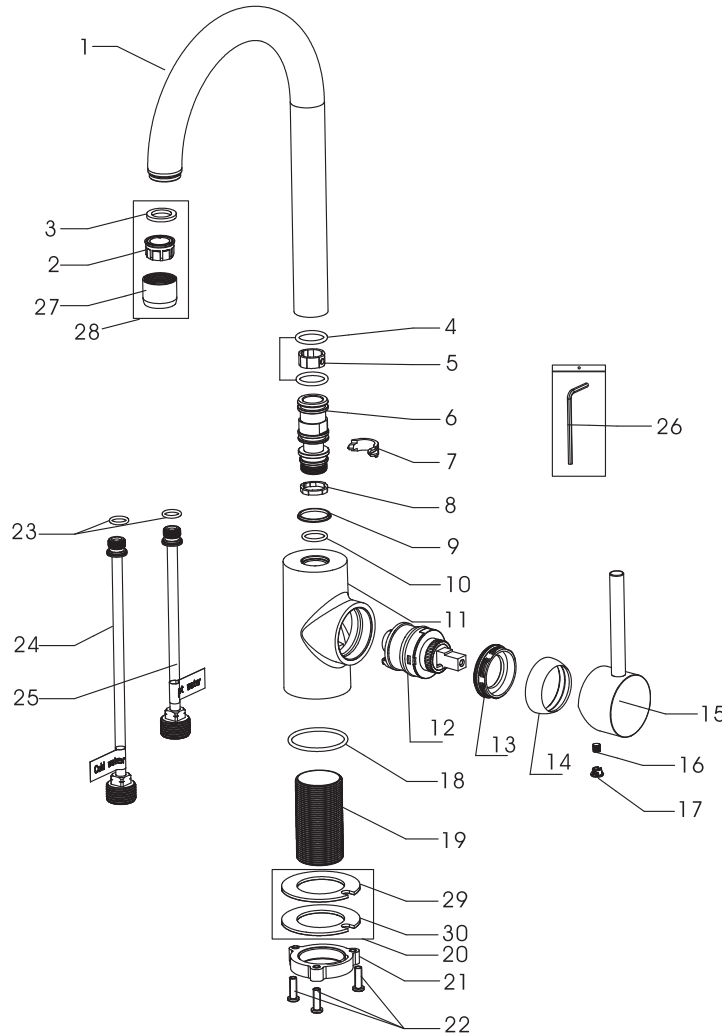
Model No. :

192-6504 (Polished Chrome)

192-6505 (Brushed Nickel **Spotless PVD**)

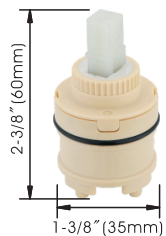
192-7170 (Matte Gold)

192-7171 (Matte Black)



No.	Part Name	Material
1	Spout	Brass
2	Aerator Core	Plastic
3	O-ring	Rubber
4	O-rings	Rubber
5	Retainer	Plastic
6	Connector	Brass
7	Retainer	Plastic
8	Retainer	Plastic
9	Wearing ring	Plastic
10	O-ring	Rubber
11	Body	Brass
12	Cartridge	Ceramic
13	Cartridge Lock Nut	Brass
14	Trim Cap	Brass
15	Handle	Zinc
16	Set Screw	Stainless Steel
17	Index	Plastic
18	O-ring	Rubber
19	Threaded Shank	Stainless Steel
20	Gasket Assembly	Rubber+Stainless Steel
21	Lock Nut	Zinc
22	Screws	Stainless Steel
23	O-rings	Rubber
24	Copper Tube (Hot)	Copper
25	Copper Tube (Cold)	Copper
26	Allen Wrench	Steel
27	Aerator Collar	Brass
28	Aerator Assembly	Plastic+Rubber+Brass
29	Rubber Washer	Rubber
30	Metal Washer	Stainless Steel

Cartridge (Type R)
Model : 892-6503



Technical Support: warranty@cmiproduct.com
Hour of Operation: Mon - Fri 8:30 a.m - 5:00 p.m. EST