

Commercial 4" Bathroom Faucet With Two Wrist Blade Handles

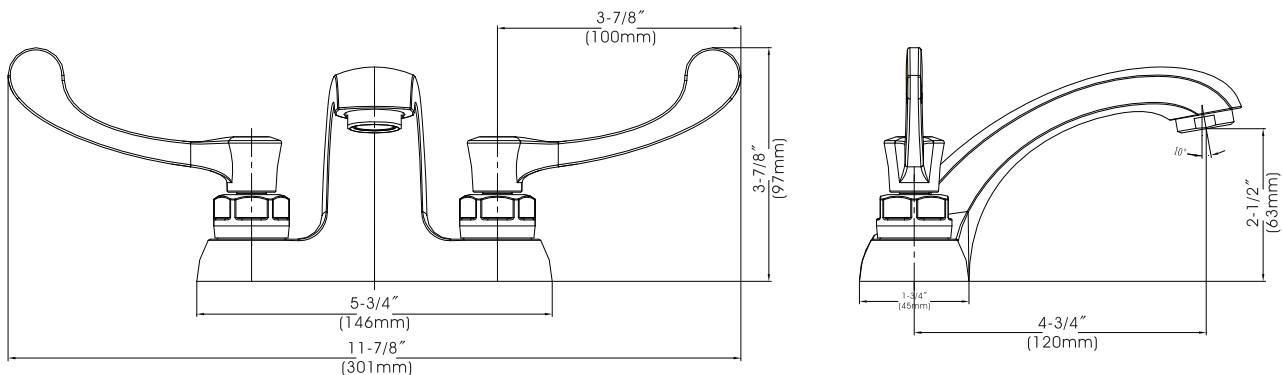


- * Polished Chrome Finish
- * 4" Center-set, 3 Hole Installation
- * 2-1/2" High and 4-3/4" Long Spout
- * Includes 17 Gauge Grid Top Drain
- * Brass Waterway Construction
- * Wrist Blade Zinc Handles
- * 1/4 Turn Ceramic Cartridges (Type O)
- * Flow Rate: 1.2 GPM @ 60 PSI
- * 100% Pressure System Tested

Project / Job Name	
Architect / Engineer	
Contractor	
Model	
Quantity	

Model No. :

192-6633_(CH)
 (Shown Model)

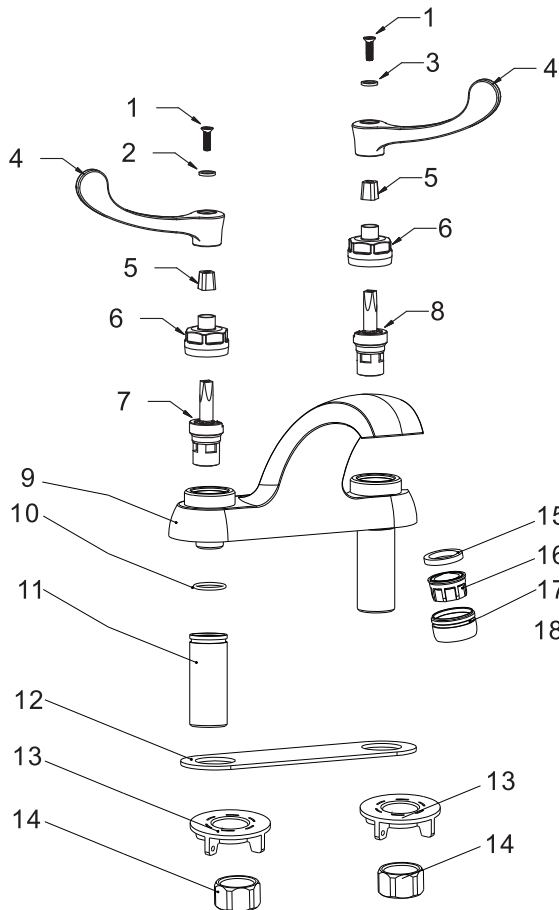


Cartridge (Type O)

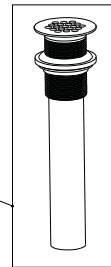
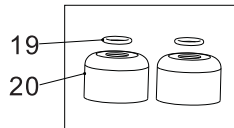


Product Compliance:
 ASME A112.18.1 / CSA B125.1
 NSF 61 - Section 9
 NSF 372 (Low Lead Content)
 ANSI A117.1 (ADA)

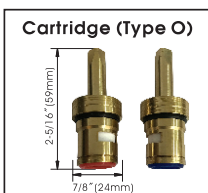
Commercial 4" Bathroom Faucet With Two Wrist Blade Handles



Model No. :
 192-6633 (Polished Chrome)



No.	Part Name	Material
1	Screw	Stainless Steel
2	Index (Hot)	Plastic
3	Index (Cold)	Plastic
4	Handle	Zinc
5	Handle Adapter	Plastic
6	Cartridge Lock Nut	Zinc
7	Cartridge (Hot Water)	Brass
8	Cartridge (Cold Water)	Brass
9	Boby	Brass
10	O-ring	Rubber
11	Water Shank	Brass
12	Washer	Sponge
13	LockNut	Plastic
14	Nut	Brass
15	O-ing	Rubber
16	Aerator Core	Plastic
17	Aerator Collar	Brass
18	Drain	Brass
19	O-ring	Rubber
20	Trim cap	Zinc



Technical Support: warranty@cmiproduct.com
 Hour of Operation: Mon - Fri 8:00 a.m - 5:00 p.m. EST