

## Commercial 4" Gooseneck Bathroom Faucet With Two Wrist Blade Handles

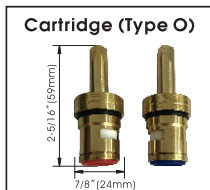
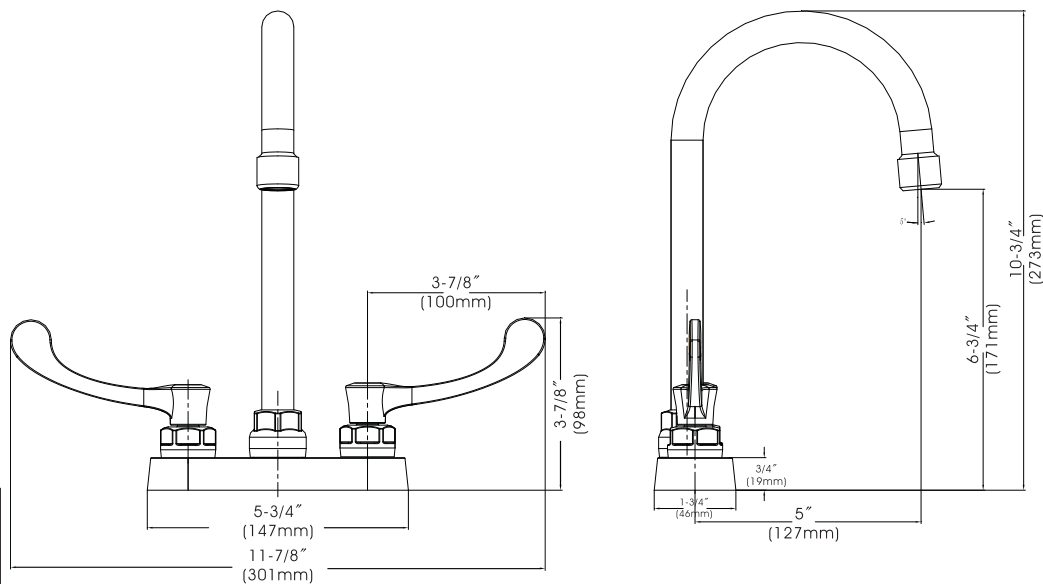


- \* Polished Chrome Finish
- \* 4" Center-set, 3 Hole Installation
- \* 6-3/4" High and 5" Long Spout
- \* Includes 17 Gauge Grid Top Drain
- \* Brass Waterway Construction
- \* Stainless Steel Spout
- \* Wrist Blade Zinc Handles
- \* 1/4 Turn Ceramic Cartridges (Type O)
- \* Flow Rate: 1.2 GPM @ 60 PSI
- \* 100% Pressure System Tested.

Project / Job Name	
Architect / Engineer	
Contractor	
Model	
Quantity	

### Model No. :

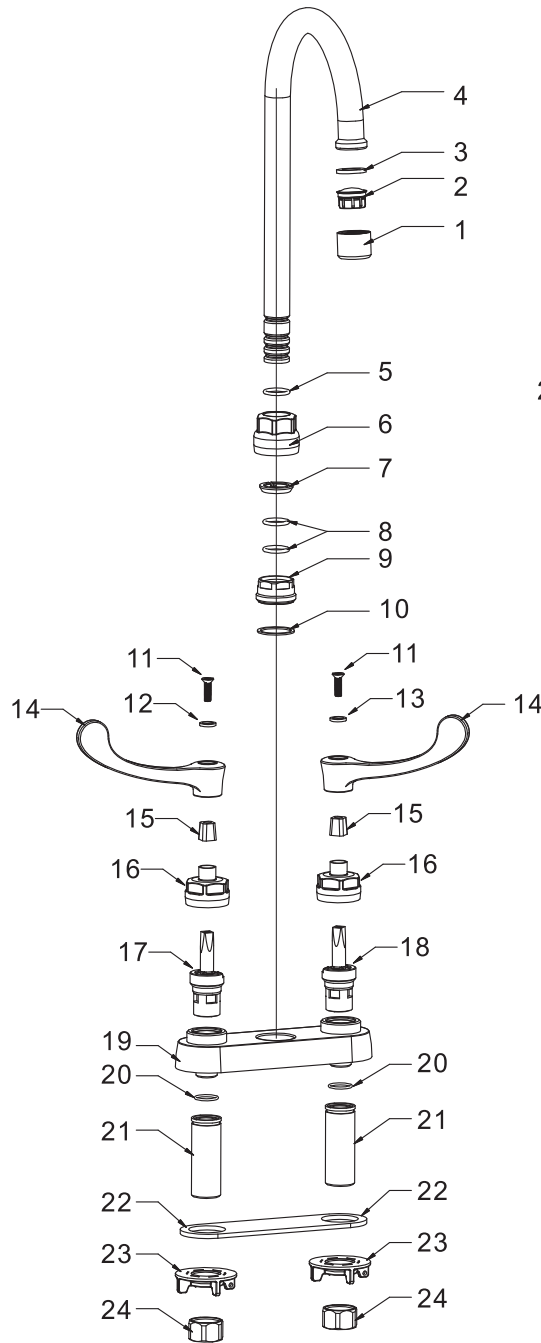
192-6634<sub>(CH)</sub>  
 (Shown Model)



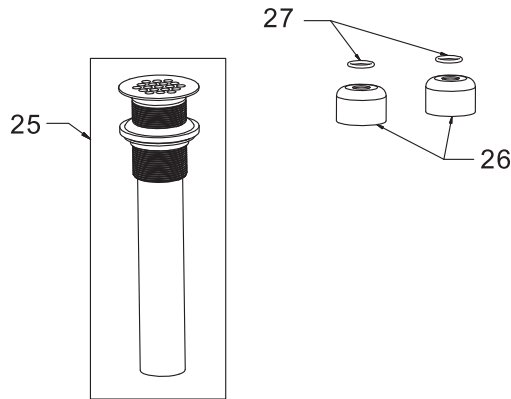
**Product Compliance:**

- ASME A112.18.1 / CSA B125.1
- NSF 61 - Section 9
- NSF 372 (Low Lead Content)
- ANSI A117.1 (ADA)

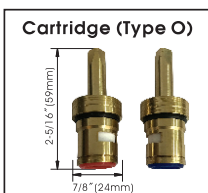
## Commercial 4" Gooseneck Bathroom Faucet With Two Wrist Blade Handles



**Model No. :**  
 192-6634 (Polished Chrome)



No.	Part Name	Material
1	Aerator Collar	Brass
2	Aerator Core	Plastic
3	Washer	Rubber
4	Spout Adaptor	Stainless Steel
5	O-ring	Rubber
6	Nut	Zinc
7	O-ring	Rubber
8	O-ring	Rubber
9	Nut	Zinc
10	Washer	Plastic
11	Screw	Stainless Steel
12	Index (Hot)	Plastic
13	Index (Cold)	Plastic
14	Handle	Zinc
15	Handle Adapter	Plastic
16	Cartridge Lock Nut	Zinc
17	Cartridge (Hot Water)	Brass
18	Cartridge (Cold Water)	Brass
19	Boby	Brass
20	O-ring	Rubber
21	Water Shank	Brass
22	Washer	Sponge
23	Lock Nut	Plastic
24	Nut	Brass
25	Drain	Brass
26	Trim Cap	Zinc
27	O-ring	Rubber



Technical Support: [warranty@cmiproduct.com](mailto:warranty@cmiproduct.com)  
 Hour of Operation: Mon - Fri 8:00 a.m - 5:00 p.m. EST