

Commercial Wide Spread Gooseneck Bathroom Faucet With Two Wrist Blade Handles

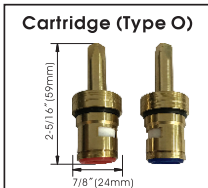
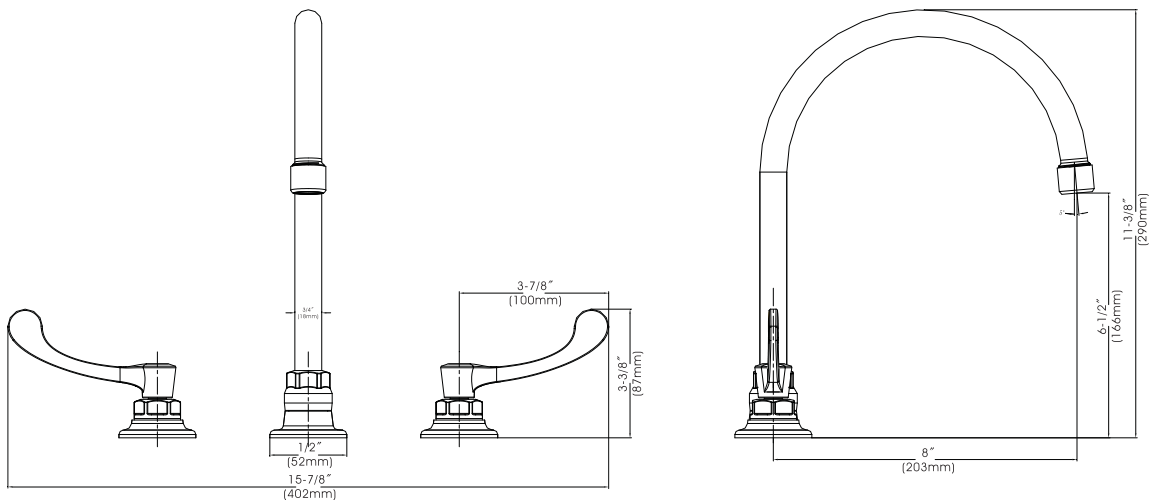


- * Polished Chrome Finish
- * Wide Spread 6"-10" Center-set, 3 Hole Installation
- * 6-1/2" High and 8" Long Spout
- * Includes 17 Gauge Grid Top Drain
- * Brass Waterway Construction
- * Wrist Blade Zinc Handles
- * 1/4 Turn Ceramic Cartridges (Type O)
- * Flow Rate: 1.2 GPM @ 60 PSI
- * 100% Pressure System Tested

Project / Job Name	
Architect / Engineer	
Contractor	
Model	
Quantity	

Model No. :

192-6635(CH)
 (Shown Model)

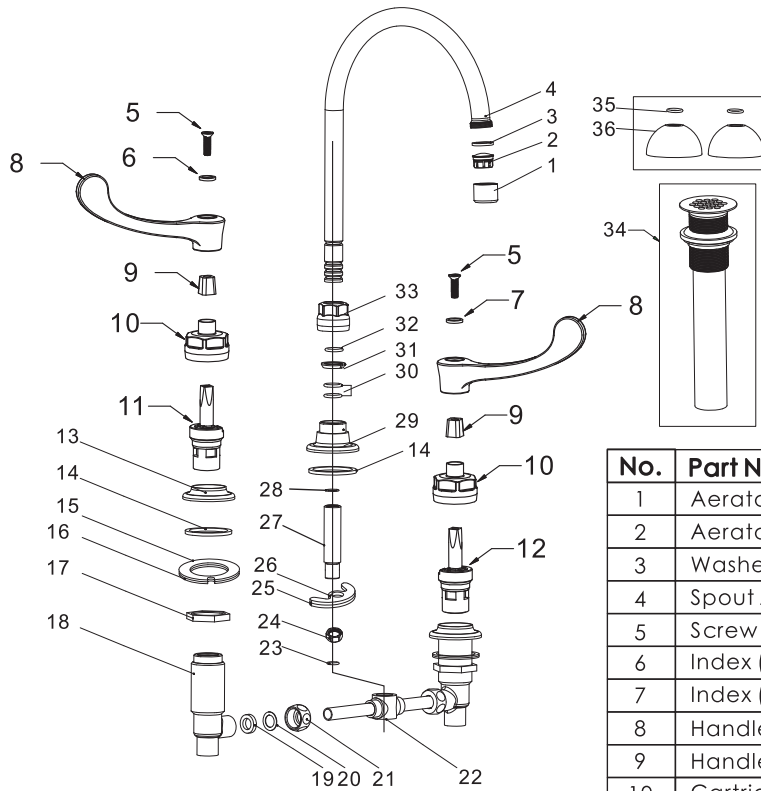


- Product Compliance:**
- ASME A112.18.1 / CSA B125.1
 - NSF 61 - Section 9
 - NSF 372 (Low Lead Content)
 - ANSI A117.1 (ADA)

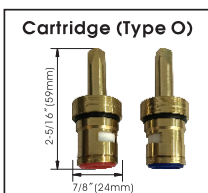
Commercial Wide Spread Gooseneck Bathroom Faucet With Two Wrist Blade Handles

Model No. :

192-6635 (Polished Chrome)



No.	Part Name	Material
1	Aerator Collar	Brass
2	Aerator Core	Plastic
3	Washer	Rubber
4	Spout Adaptor	Stainless Steel
5	Screw	Stainless Steel
6	Index (Hot)	Plastic
7	Index (Cold)	Plastic
8	Handle	Zinc
9	Handle Adapter	Plastic
10	Cartridge Lock Nut	Zinc
11	Cartridge (Hot Water)	Brass
12	Cartridge (Cold Water)	Brass
13	Nut	Zinc
14	Washer	Sponge
15	Rubber Washer	Rubber
16	Clamp	Stainless Steel
17	Nut	Brass
18	Boby	Brass
19	O-ring	Rubber
20	Washer	Stainless Steel
21	Nut	Brass
22	Water Valve	Brass
23	O-ring	Rubber
24	Nut	Brass
25	Rubber Washer	Stainless Steel
26	Clamp	Rubber
27	Waterway	Brass
28	O-ring	Rubber
29	Aerator Seat	Sponge
30	O-ring	Rubber
31	O-ring	Rubber
32	O-ring	Rubber
33	Nut	Zinc
34	Drain	Brass
35	O-ring	Rubber
36	Trim Cap	Zinc



Technical Support: warranty@cmiproduct.com
 Hour of Operation: Mon - Fri 8:00 a.m - 5:00 p.m. EST