

## Commercial 8" Gooseneck Kitchen Faucet With Two Wrist Blade Handles

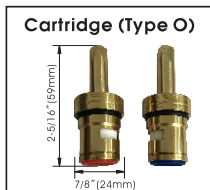
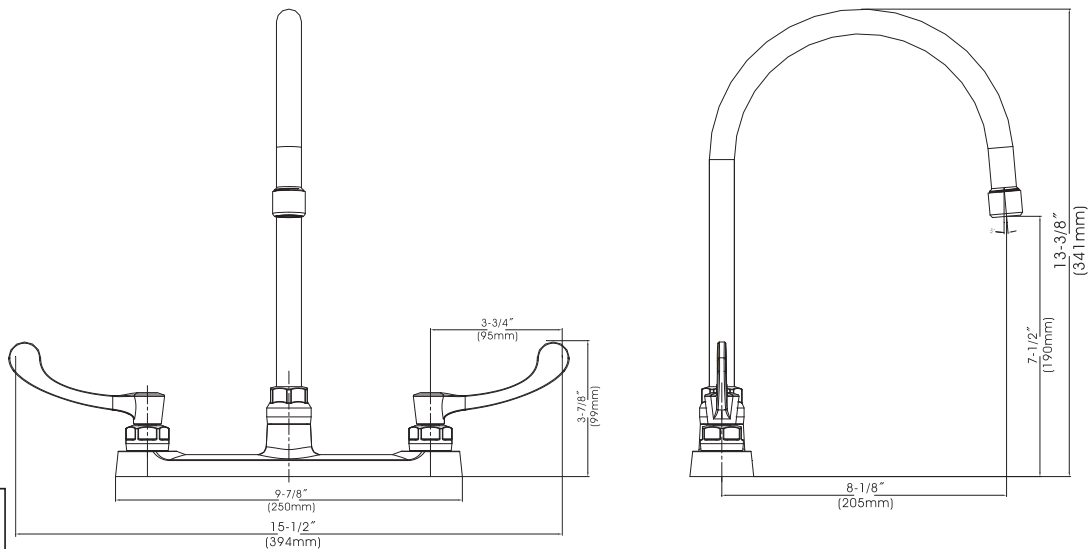


- \* Polished Chrome Finish
- \* 8" Center-set, 3 Hole Installation
- \* 7-1/2" High and 8-1/8" Long Spout
- \* Optional Trim Caps Included
- \* Brass Waterway Construction
- \* Stainless Steel Spout
- \* Wrist Blade Zinc Handles
- \* 1/4 Turn Ceramic Cartridges (Type O)
- \* Flow Rate: 1.8GPM (6.8L/MIN) MAX
- \* 100% Pressure System Tested
- \* Lifetime Limited Warranty; 5 year warranty from date of purchase for Commercial use

Project / Job Name	
Architect / Engineer	
Contractor	
Model	
Quantity	

### Model No. :

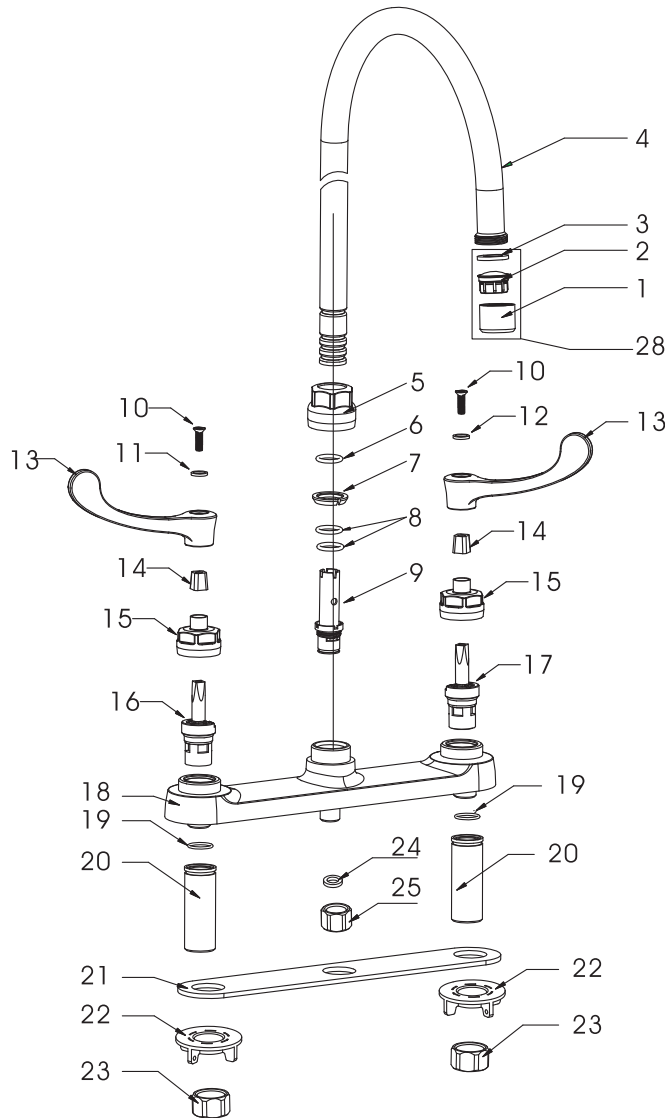
192-6636(CH)  
 (Shown Model)



#### Product Compliance:

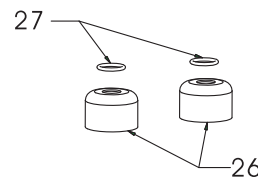
- ASME A112.18.1 / CSA B125.1
- NSF 61 - Section 9
- NSF 372 (Low Lead Content)
- ANSI A117.1 (ADA)

## Commercial 8" Gooseneck Kitchen Faucet With Two Wrist Blade Handles

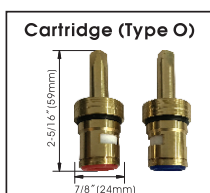


**Model No. :**

192-6636 (Polished Chrome)



No.	Part Name	Material
1	Aerator Collar	Brass
2	Aerator Core	Plastic
3	Washer	Rubber
4	Spout	Stainless Steel
5	Lock Nut	Brass
6	O-ring	Rubber
7	Nut	Plastic
8	O-rings	Rubber
9	Diverter	Plastic
10	Screw	Stainless Steel
11	Index (Hot)	Plastic
12	Index (Cold)	Plastic
13	Handle	Zinc
14	Handle Adapter	Plastic
15	Lock Nut	Zinc
16	Cartridge (Hot)	Brass
17	Cartridge (Cold)	Brass
18	Body	Brass
19	Washers	Rubber
20	Shanks	Brass
21	Gasket	Sponge
22	Lock Nuts	Plastic
23	Nuts	Brass
24	Washer	Rubber
25	Nut	Brass
26	Trim Caps	Zinc
27	O-rings	Rubber
28	Aerator Assembly	Brass+Plastic+Rubber



Technical Support: [warranty@cmiproduct.com](mailto:warranty@cmiproduct.com)  
 Hour of Operation: Mon - Fri 8:00 a.m - 5:00 p.m. EST