

Commercial 4" Single Handle Lavatory Faucet

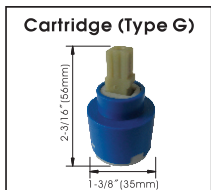
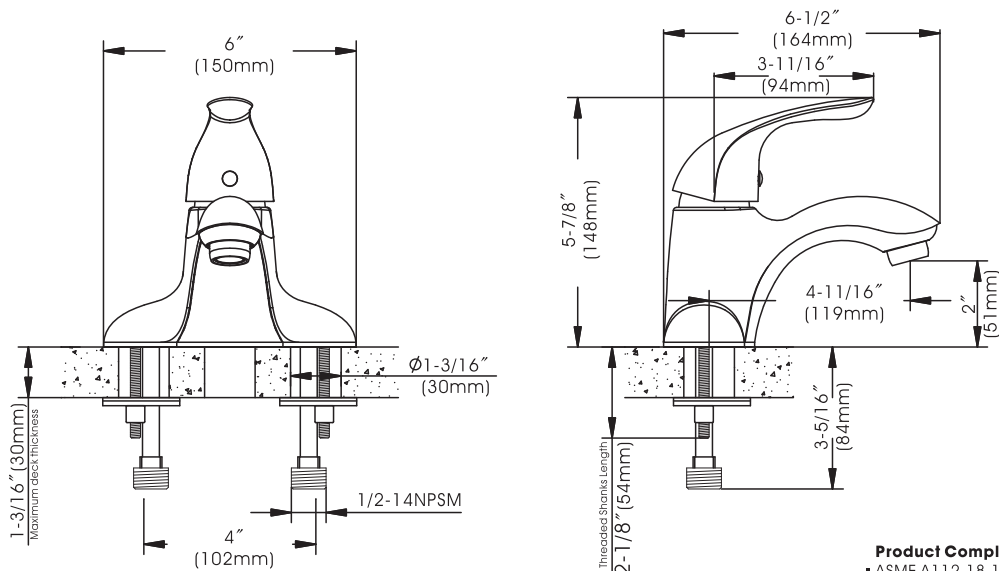


- * Polished Chrome Finish
- * 4" Center-set, 3 Hole Installation
- * 2" High and 4-11/16" Long Spout, Zinc Handle
- * Includes 17 Gauge Grid Top Drain
- * Copper Waterway Construction
- * Premium Grade Ceramic Cartridge (Type G)
- * Flow Rate: 1.2GPM (4.5L/MIN) MAX
- * 100% Pressure System Tested
- * Lifetime Limited Warranty; 5 year warranty from date of purchase for Commercial use

Project / Job Name	
Architect / Engineer	
Contractor	
Model	
Quantity	

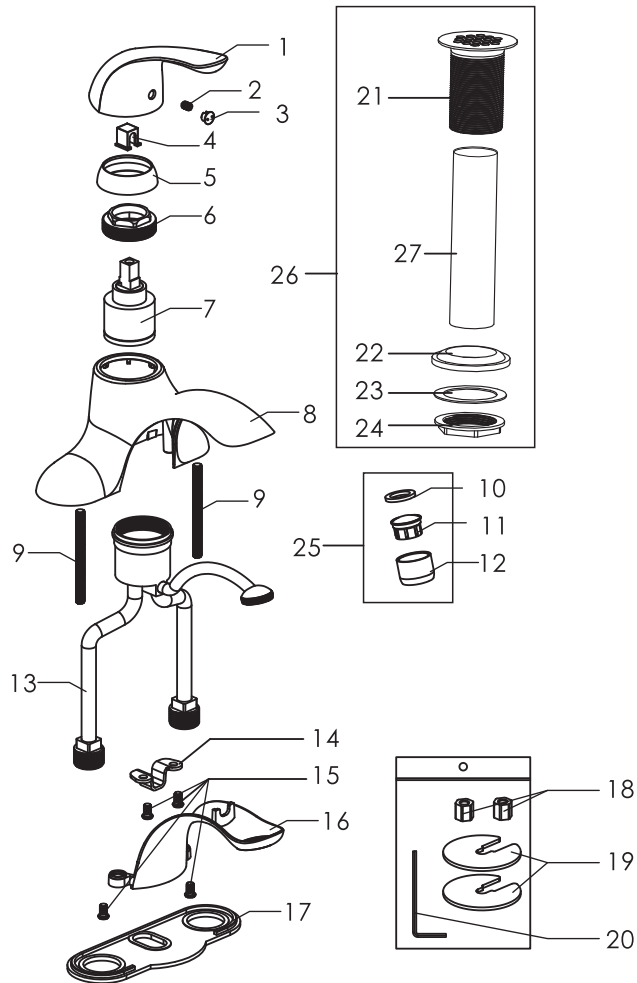
Model No. :

192-6637 (CH)
 (Shown Model)



- Product Compliance:**
- ASME A112.18.1 / CSA B125.1
 - NSF 61 - Section 9
 - NSF 372 (Low Lead Content)
 - ANSI A117.1 (ADA)
 - EPA - Water Sense

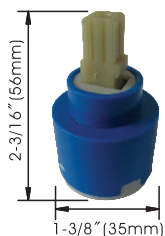
Commercial 4" Single Handle Lavatory Faucet



Model No. :
192-6637 (Polished Chrome)

No.	Part Name	Material
1	Handle	Zinc
2	Set Screw	Stainless Steel
3	Index	Plastic
4	Cartridge Adapter	Plastic
5	Trim Cap	Plastic
6	Cartridge Locknut	Stainless Steel
7	Cartridge	Ceramic
8	Upper Cover	Zinc
9	Mounting Bolt	Stainless Steel
10	Washer	Rubber
11	Aerator Core	Plastic
12	Aerator Collar	Brass
13	Waterway	Copper
14	Cartridge Retainer	Stainless Steel
15	Screw	Stainless Steel
16	Lower Cover	Zinc
17	Gasket	Plastic
18	Lock Nut	Brass
19	Clamp	Stainless Steel
20	Allen Wrench	Steel
21	Upper Drain Body	Brass
22	Top Rubber Washer	Rubber
23	Washer	Fibre
24	Lock Nut	Brass
25	Aerator Assembly	Brass+Plastic+Rubber
26	Grid Drain Assembly	Brass
27	Lower Drain Body	Brass

Cartridge (Type G)



Technical Support: warranty@cmiproduct.com
 Hour of Operation: Mon - Fri 8:00 a.m - 5:00 p.m. EST