

Casmir - Single Handle Bathroom Faucet

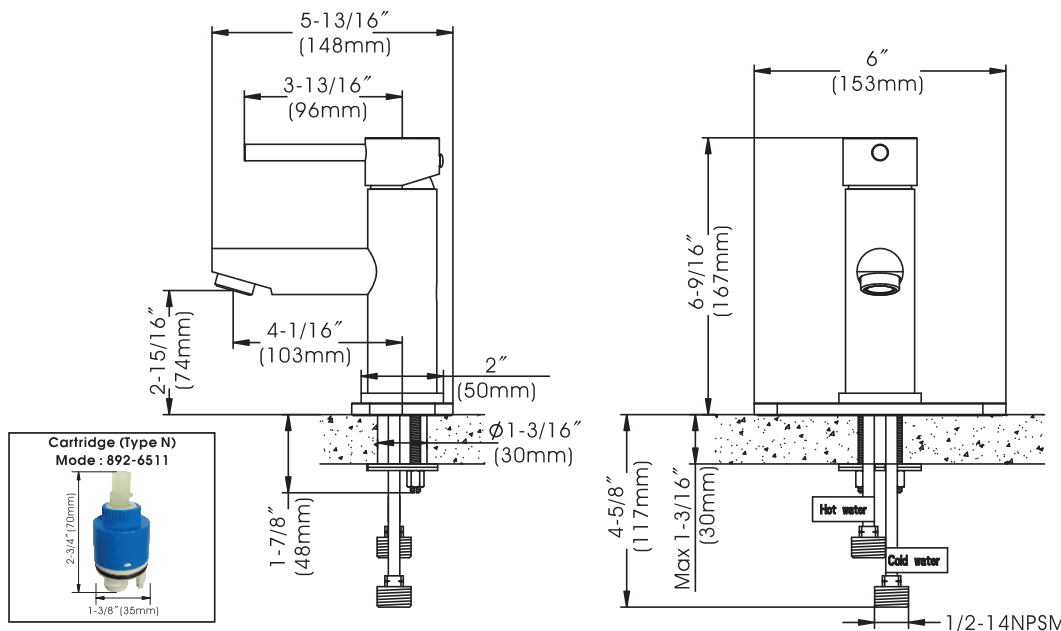


- * Includes Stainless Steel Deck Plate for 1 or 3 Hole Installation
- * Includes a Brass Spin Drain with Overflow
- * 2-15/16" High and 4-1/16" Long Brass Spout, Zinc Handle
- * Brass & Copper Waterway Construction with 1/2"-14 NPSM Connection
- * Premium Grade Ceramic Cartridge (Type N)
- * Flow Rate: 1.2GPM (4.5L/MIN) MAX @ 60PSI
- * 100% Pressure System Tested
- * Lifetime Limited Warranty; 5 year warranty from date of purchase for Commercial users.

Project / Job Name	
Architect / Engineer	
Contractor	
Model	
Quantity	

Model No. :

192-6962 (CH) 192-6963 (BN *Spotless PVD*) 192-7164 (MG) 192-7165 (MB)
 (Shown Model)



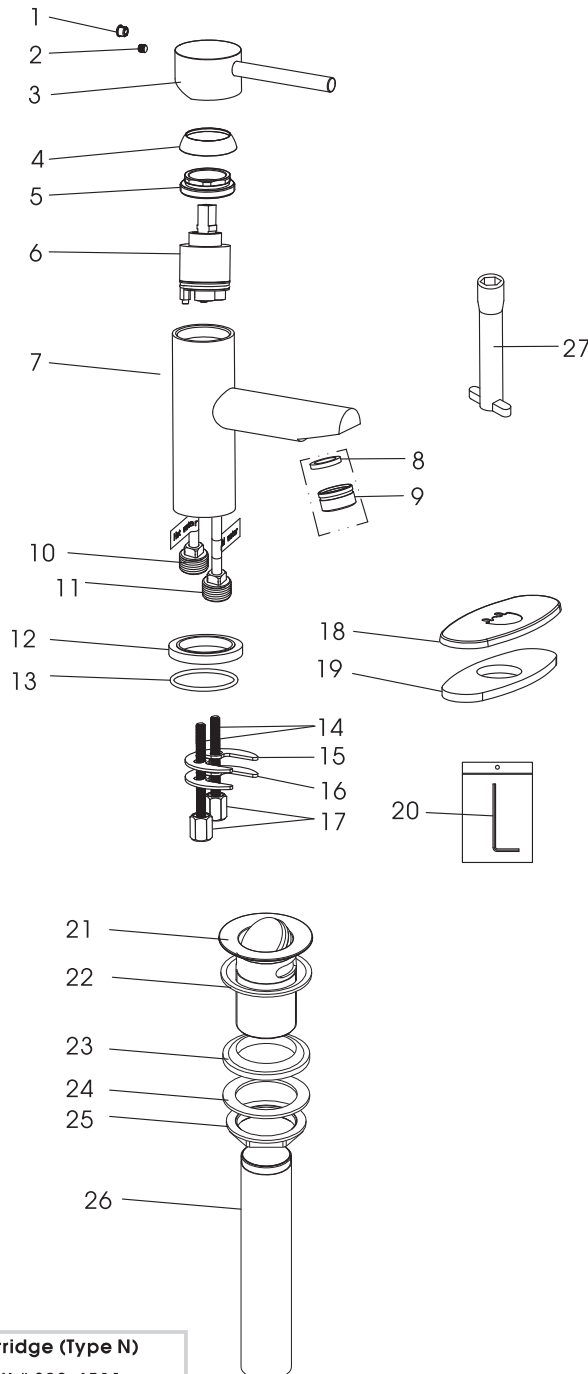
Compass Manufacturing International LLC

www.cmiproduct.com

6702 Enterprise Drive, Louisville, Kentucky 40214

Toll Free Number: 800-626-3525

Casmir - Single Handle Bathroom Faucet



Model No. :

- 192-6962 (Polished Chrome)
- 192-6963 (Brushed Nickel **Spotless PVD**)
- 192-7164 (Matte Gold)
- 192-7165 (Matte Black)

No.	Part Name	Material
1	Index	Plastic
2	Set Screw	Stainless Steel
3	Handle	Zinc
4	Trim Cap	Brass
5	Cartridge Locknut	Brass
6	Cartridge	Ceramic
7	Body	Brass
8	O-ring	Rubber
9	Aerator	Brass
10	Copper Tube (Hot)	Brass
11	Copper Tube (Cold)	Brass
12	Base	Zinc
13	O-ring	Rubber
14	Mounting Bolts	Stainless Steel
15	Rubber Washer	Rubber
16	Clamp	Stainless Steel
17	Lock Nuts	Brass
18	Deck Plate	Stainless Steel
19	Gasket	Sponge
20	Allen Wrench	Steel
21	Drain Body	Brass
22	Top Rubber Washer	Rubber
23	Bottom Rubber Washer	Rubber
24	Rubber Washer	Rubber
25	Lock Nut	Brass
26	Tailpiece	Stainless Steel
27	Socket Wrench	Plastic

Cartridge (Type N)

SKU # 892-6511



Technical Support: warranty@cmiproduct.com
 Hour of Operation: Mon - Fri 8:30 a.m - 5:00 p.m. EST