

Casmir - Single Handle Bathroom Faucet



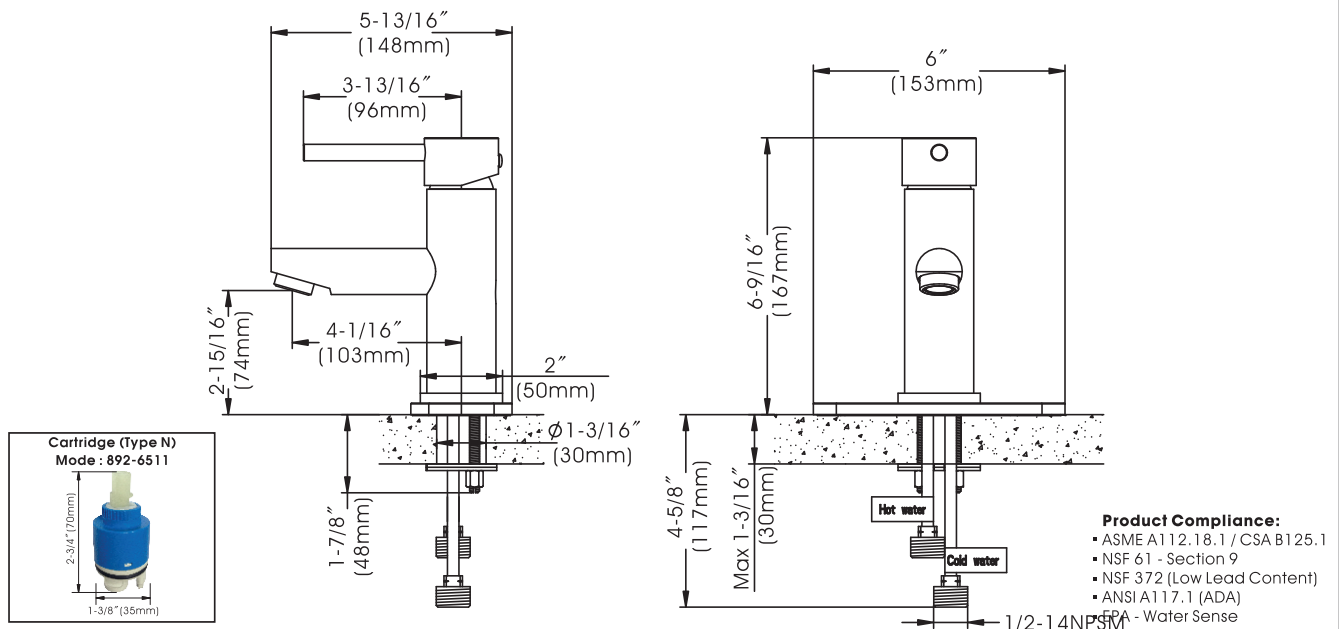
- * Includes Stainless Steel Deck Plate for 1 or 3 Hole Installation
- * Includes a Brass Spin Drain with Overflow
- * 2-15/16" High and 4-1/16" Long Brass Spout, Zinc Handle
- * Brass & Copper Waterway Construction with 1/2"-14 NPSM Connection
- * Premium Grade Ceramic Cartridge (Type N)
- * Flow Rate: 1.2GPM (4.5L/MIN) MAX @ 60PSI
- * 100% Pressure System Tested
- * Lifetime Limited Warranty; 5 year warranty from date of purchase for Commercial users.

| | |
|----------------------|--|
| Project / Job Name | |
| Architect / Engineer | |
| Contractor | |
| Model | |
| Quantity | |

Model No. :

192-6962 (CH)
 192-6963 (BN *Spotless PVD*)
 192-7164 (MG)
 192-7165 (MB)

 (Shown Model)



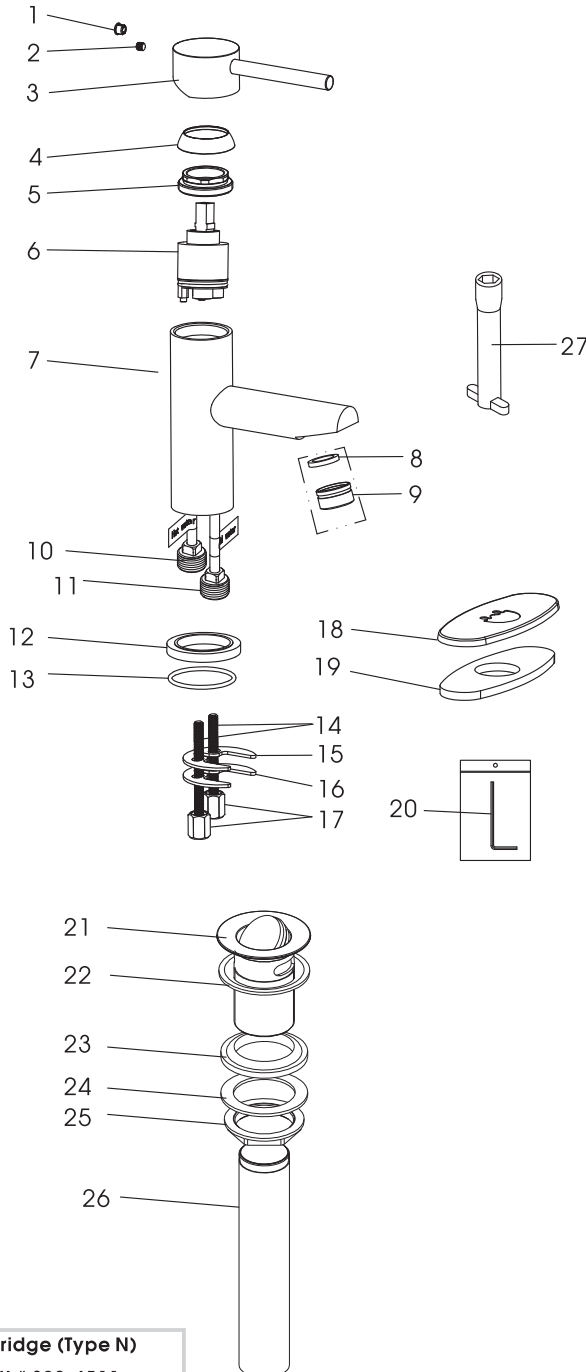
Compass Manufacturing International LLC

www.cmiproduct.com

6702 Enterprise Drive, Louisville, Kentucky 40214

Toll Free Number: 800-626-3525

Casmir - Single Handle Bathroom Faucet



Model No. :

- 192-6962 (Polished Chrome)
- 192-6963 (Brushed Nickel **Spotless PVD**)
- 192-7164 (Matte Gold)
- 192-7165 (Matte Black)

| No. | Part Name | Material |
|-----|----------------------|-----------------|
| 1 | Index | Plastic |
| 2 | Set Screw | Stainless Steel |
| 3 | Handle | Zinc |
| 4 | Trim Cap | Brass |
| 5 | Cartridge Locknut | Brass |
| 6 | Cartridge | Ceramic |
| 7 | Body | Brass |
| 8 | O-ring | Rubber |
| 9 | Aerator | Brass |
| 10 | Copper Tube (Hot) | Brass |
| 11 | Copper Tube (Cold) | Brass |
| 12 | Base | Zinc |
| 13 | O-ring | Rubber |
| 14 | Mounting Bolts | Stainless Steel |
| 15 | Rubber Washer | Rubber |
| 16 | Clamp | Stainless Steel |
| 17 | Lock Nuts | Brass |
| 18 | Deck Plate | Stainless Steel |
| 19 | Gasket | Sponge |
| 20 | Allen Wrench | Steel |
| 21 | Drain Body | Brass |
| 22 | Top Rubber Washer | Rubber |
| 23 | Bottom Rubber Washer | Rubber |
| 24 | Rubber Washer | Rubber |
| 25 | Lock Nut | Brass |
| 26 | Tailpiece | Stainless Steel |
| 27 | Socket Wrench | Plastic |

Cartridge (Type N)

SKU # 892-6511



Technical Support: warranty@cmiproduct.com
 Hour of Operation: Mon - Fri 8:30 a.m - 5:00 p.m. EST