

Casmir - Two Handle Bathroom Faucet

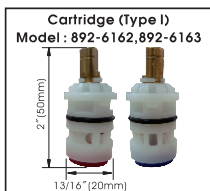
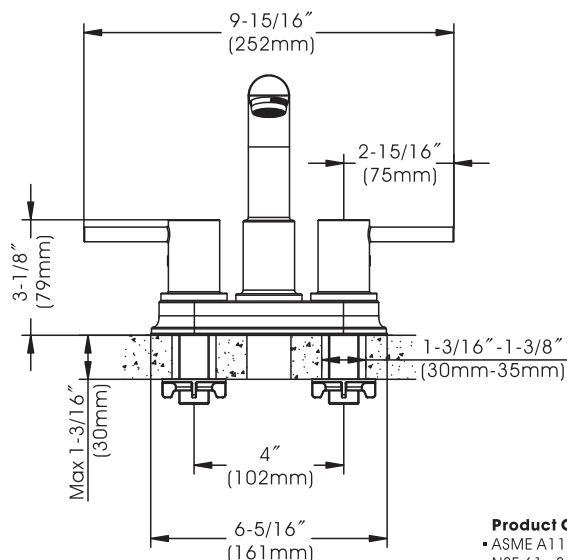
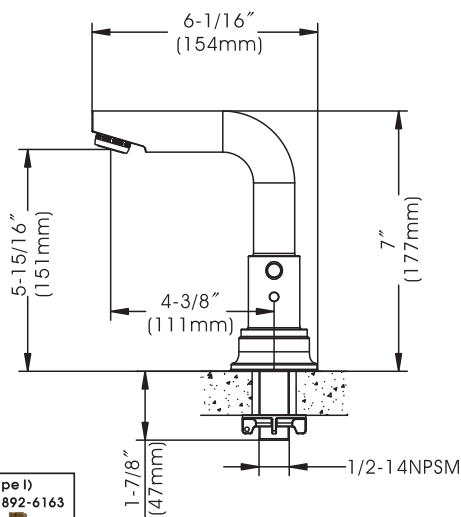


- * 4" Center-set, 3 Hole Installation
- * Premium Grade Brass Push Type Pop-up Drain with Overflow Included
- * 5-15/16" High and 4-3/8" Long Brass Spout, Zinc Handle, Zinc Deck Plate
- * Brass Waterway Construction with 1/2" -14 NPSM Connection
- * 1/4 Turn Premium Grade Ceramic Cartridges (Type I)
- * Flow Rate: 1.2GPM (4.5L/MIN) MAX @ 60PSI
- * 100% Pressure System Tested
- * Lifetime Limited Warranty; 5 year warranty from date of purchase for Commercial use.

Project / Job Name	
Architect / Engineer	
Contractor	
Model	
Quantity	

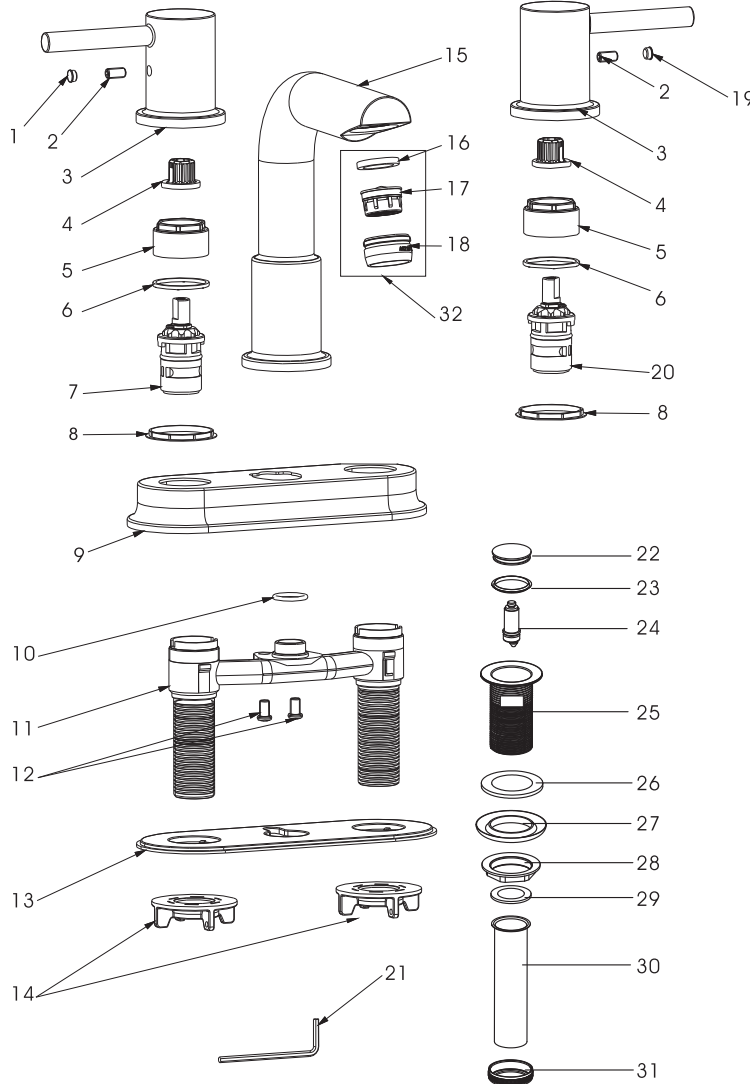
Model No. :

- 192-7132 (CH)
 192-7133 (BN Spotless PVD*) (Shown Model)
 192-7134 (MB)
 192-7135 (MG)



- Product Compliance:**
- ASME A112.18.1 / CSA B125.1
 - NSF 61 - Section 9
 - NSF 372 (Low Lead Content)
 - ANSI A117.1 (ADA)
 - EPA - Water Sense

Casmir - Two Handle Bathroom Faucet



Model No. :

- 192-7132 (Polished Chrome)
- 192-7133 (Brushed Nickel *Spotless PVD*)
- 192-7134 (Matte Black)
- 192-7135 (Matte Gold)

No.	Part Name	Material
1	Index (Red)	Rubber
2	Set Screw	Stainless Steel
3	Handle	Zinc
4	Connector	Plastic
5	Lock Nut	Zinc
6	Washer	Rubber
7	Cartridge (Hot)	Ceramic
8	Wearing Ring	Plastic
9	Deck Plate	Zinc
10	O-ring	Rubber
11	Brazed Underbody	Brass
12	Screws	Stainless Steel
13	Gasket	Plastic
14	Lock Nuts	Plastic
15	Spout	Brass
16	Washer	Rubber
17	Aerator Core	Plastic
18	Aerator Collar	Brass
19	Index (Blue)	Rubber
20	Cartridge (Cold)	Ceramic
21	Allen Wrench	Steel
22	Cover	Brass
23	Washer	Rubber
24	Stopper Core	Brass
25	Stopper Housing	Brass
26	Top Rubber Washer	Rubber
27	Bottom Rubber Washer	Rubber
28	Lock Nut	Zinc
29	Washer	Rubber
30	Outlet Pipe	Brass
31	Nut	Brass
32	Aerator Assembly	Rubber+Plastic+Brass

Cartridge (Type I)
Model : 892-6162,892-6163



Technical Support: warranty@cmiproduct.com
 Hour of Operation: Mon - Fri 8:30 a.m - 5:00 p.m. EST