

Cardania - Two Handle Bathroom Faucet

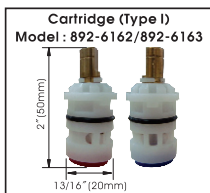
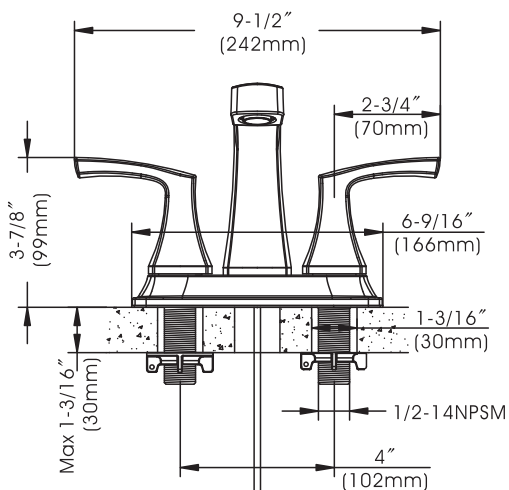
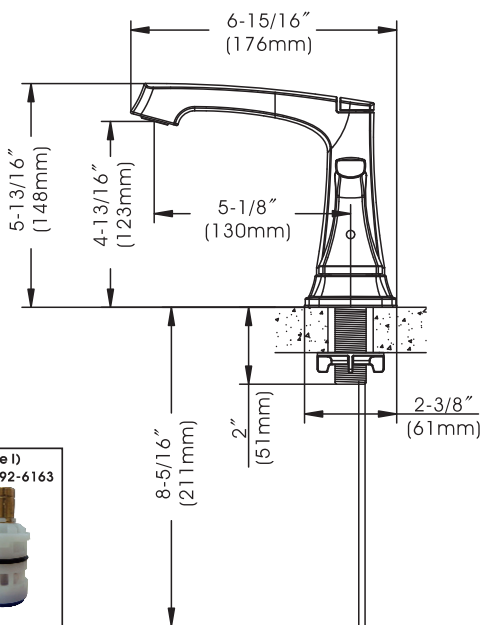


- * 4" Center-set, 3 Hole Installation
- * Brass Pop-Up Drain Assembly with Lift Rod Included
- * 4-13/16" High and 5-1/8" Long Spout, Zinc Handle, Zinc Deck Plate
- * Brass Waterway Construction with 1/2" -14 NPSM Connection
- * 1/4 Turn Premium Grade Ceramic Cartridges (Type I)
- * Flow Rate: 1.2GPM (4.5L/MIN) MAX @ 60PSI
- * 100% Pressure System Tested
- * Lifetime Limited Warranty; 5 year warranty from date of purchase for Commercial use

Project / Job Name	
Architect / Engineer	
Contractor	
Model	
Quantity	

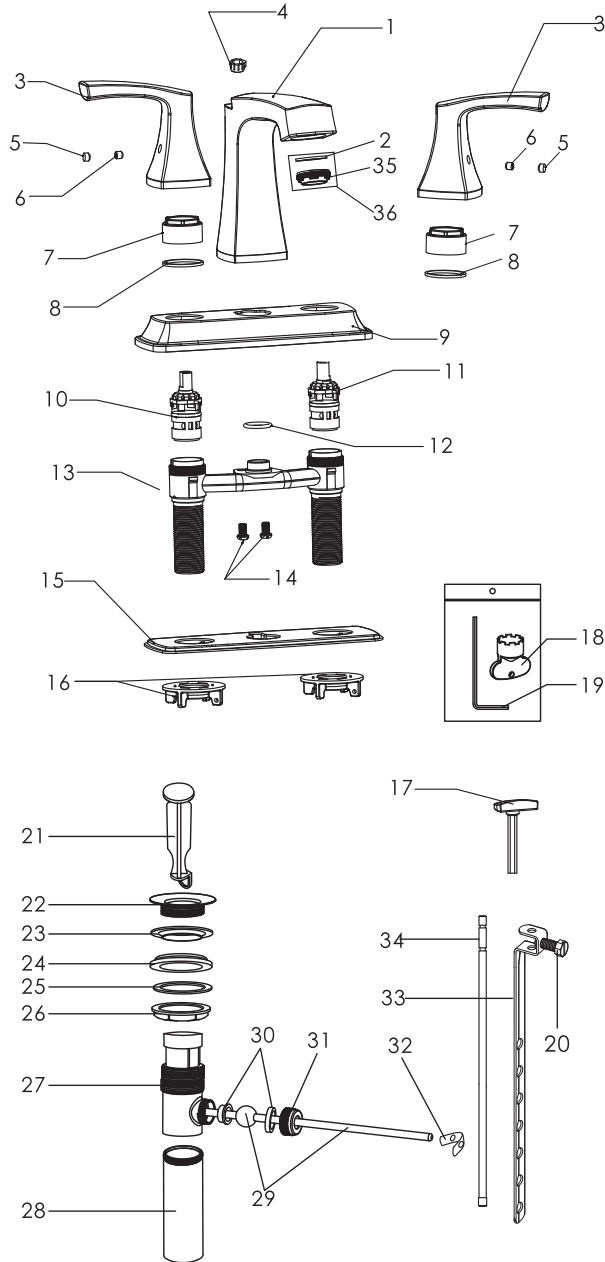
Model No. :

192-6401 (CH)
 192-6402 (BN *Spotless*PVD)
 192-6403 (ORB)
 192-7146(MG)
 192-7147(MB) (Shown Model)



- Product Compliance:**
- ASME A112.18.1 / CSA B125.1
 - NSF 61 - Section 9
 - NSF 372 (Low Lead Content)
 - ANSI A117.1 (ADA)
 - EPA - Water Sense

Cardania - Two Handle Bathroom Faucet



Model No. :

- 192-6401 (Polished Chrome)
- 192-6402 (Brushed Nickel **Spotless PVD**)
- 192-6403 (Oil-Rubbed Bronze)
- 192-7146 (Matte Gold)
- 192-7147 (Matte Black)

No.	Part Name	Material
1	Spout	Brass
2	Washer	Plastic
3	Handle	Zinc
4	Sleeve	Plastic
5	Index	Rubber
6	Set Screw	Stainless Steel
7	Lock Nut	Zinc
8	Plastic Washer	Plastic
9	Deck Plate	Zinc
10	Cartridge (Hot)	Ceramic
11	Cartridge (Cold)	Ceramic
12	O-ring	Rubber
13	Brazed Underbody	Brass
14	Screws	Stainless Steel
15	Gasket	Plastic
16	Lock Nuts	Plastic
17	Lift Rod Knob	Zinc
18	Aerator Wrench	Plastic
19	Allen Wrench	Steel
20	Lift Rod Strap Screw	Steel
21	Drain Stopper	Brass
22	Flange	Brass
23	Top Rubber Washer	Rubber
24	Bottom Rubber Washer	Rubber
25	Washer	Plastic
26	Lock Nut	Zinc
27	Drain Body	Brass
28	Tailpiece	Brass
29	Ball Rod	Stainless Steel+Plastic
30	Ball Rod Gasket	Plastic
31	Ball Nut	Brass
32	Spring Clip	Stainless Steel
33	Lift Rod Strap	Steel
34	Lift Rod	Stainless Steel
35	Aerator	Brass
36	Aerator Assembly	Plastic+Brass

Cartridge (Type I)
Model : 892-6162/892-6163



Technical Support: warranty@cmiproduct.com
 Hour of Operation: Mon - Fri 8:30 a.m - 5:00 p.m. EST