

Casmir - Single Handle Pull-Out Kitchen Faucet



- * Includes Zinc Deck Plate for 1 or 3 Hole Installation
- * 14" High and 7-11/16" Long 360° Swing Spout
- * 6-7/8" High Zinc Handle, Zinc Body
- * Matching Two Function (Spray & Rinse) Pull-Out Spray Head
- * Copper Waterway Construction with 1/2" -14 NPSM Connection
- * 60" Quick Connect Flexible Nylon Hose
- * Premium Grade Ceramic Cartridge (Type G)
- * Flow Rate: 1.8GPM (6.8L/MIN) MAX @ 60PSI
- * 100% Pressure System Tested
- * Lifetime Limited Warranty; 5 year warranty from date of purchase for Commercial use.

| | |
|----------------------|--|
| Project / Job Name | |
| Architect / Engineer | |
| Contractor | |
| Model | |
| Quantity | |

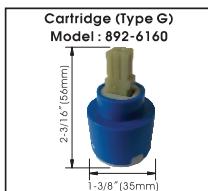
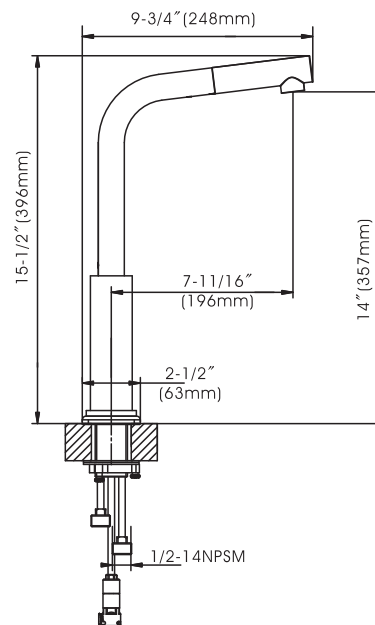
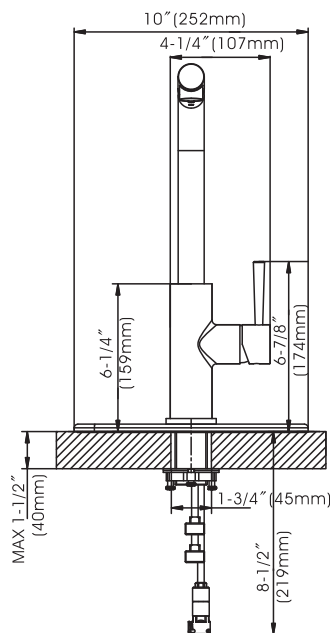
Model No. :

192-6468 (CH)

192-6469 (BN Spotless PVD)

192-7160 (MG)

192-7161 (MB)
(Shown Model)



- Product Compliance:**
- ASME A112.18.1 / CSA B125.1
 - NSF 61 - Section 9
 - NSF 372 (Low Lead Content)
 - ANSI A117.1 (ADA)

Casmir - Single Handle Pull-Out Kitchen Faucet

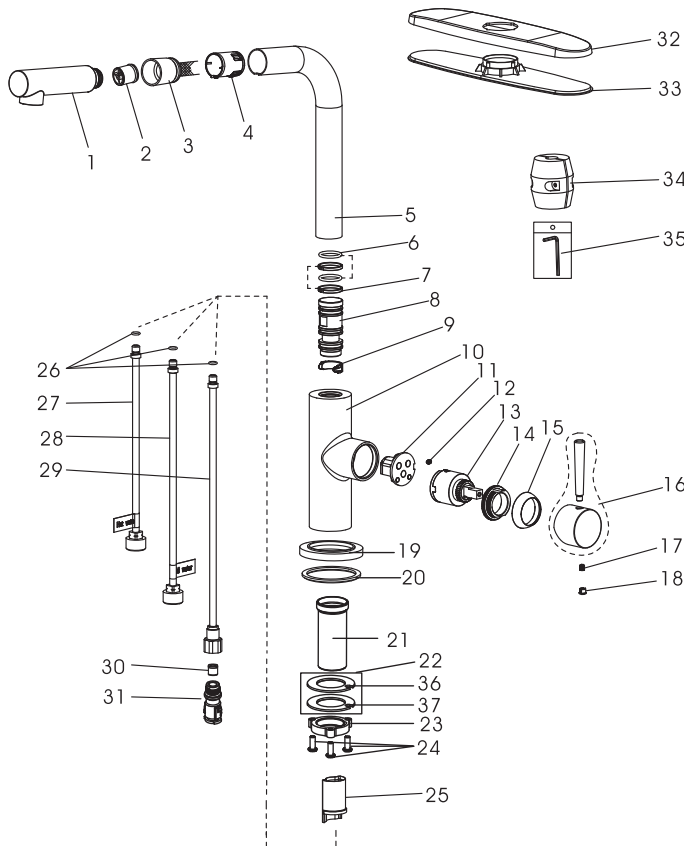
Model No. :

192-6468 (Polished Chrome)

192-6469 (Brushed Nickel **Spotless PVD**)

192-7160 (Matte Gold)

192-7161 (Matte Black)



| No. | Part Name | Material |
|-----|------------------------|------------------------|
| 1 | Spray Head | Plastic |
| 2 | Check Valve | Plastic |
| 3 | Hose | Nylon |
| 4 | Hose Guide | Plastic |
| 5 | Spout | Stainless Steel |
| 6 | O-rings | Rubber |
| 7 | Rings | Plastic |
| 8 | Connector | Brass |
| 9 | Retainer | Plastic |
| 10 | Body | Zinc |
| 11 | Cartridge Base | Brass |
| 12 | Screw | Stainless Steel |
| 13 | Cartridge | Ceramic |
| 14 | Cartridge Lock Nut | Brass |
| 15 | Trim Cap | Brass |
| 16 | Handle | Zinc |
| 17 | Set Screw | Stainless Steel |
| 18 | Index | Rubber |
| 19 | Base | Zinc |
| 20 | O-ring | Rubber |
| 21 | Shank | Stainless Steel |
| 22 | Gasket Assembly | Stainless Steel+Rubber |
| 23 | Lock Nut | Zinc |
| 24 | Screws | Stainless Steel |
| 25 | Protective Sleeve | Plastic |
| 26 | O-rings | Rubber |
| 27 | Copper Tube (Hot) | Copper |
| 28 | Copper Tube (Cold) | Copper |
| 29 | Outlet Tube | Copper |
| 30 | Stop Valve | Plastic |
| 31 | Quick Connect Assembly | Plastic |
| 32 | Deck Plate | Zinc |
| 33 | Gasket | Plastic |
| 34 | Weight | Steel+Plastic |
| 35 | Allen Wrench | Steel |
| 36 | Rubber Washer | Rubber |
| 37 | Metal Washer | Stainless Steel |

Cartridge (Type G)
Model : 892-6160



Technical Support: warranty@cmiproduct.com
Hour of Operation: Mon - Fri 8:30 a.m - 5:00 p.m. EST