

Casmir Series Contractor Hand-Held Shower with Slide Bar

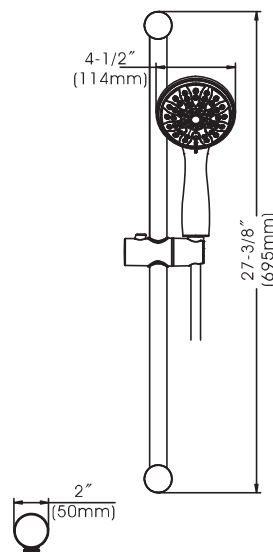
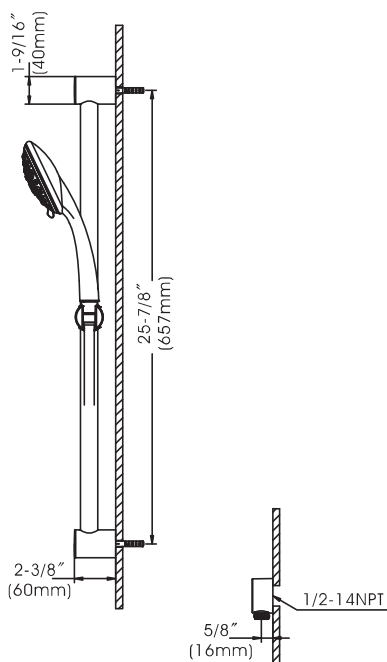


- * 3 Function Hand-Held Shower
- * 27" Stainless Steel Slide Bar
- * 4-3/4" 3 Function Hand-Held Shower Head
- * Heavy Duty Zinc Base
- * Brass Hose Connector with a 60" Hose
- * Solid Brass Waterway Construction with 1/2"-14 NPT Connection
- * Flow Rate: 1.5GPM (5.7L/MIN) MAX @ 80PSI
- * 100% Pressure System Tested
- * Lifetime Limited Warranty; 5 year warranty from date of purchase for Commercial use

Project / Job Name	
Architect / Engineer	
Contractor	
Model	
Quantity	

Model No. :

- 192-6820 (CH)
 192-6821 (BN *Spotless PVD*)
 192-7290 (MG)
 192-7291 (MB) **(Shown Model)**



Shower Head Functions :



- Product Compliance:**
- ASME A112.18.1 / CSA B125.1
 - ASSE 1016
 - ANSI A117.1 (ADA) for Lever Handle Only

Casmir Series Contractor Hand-Held Shower with Slide Bar

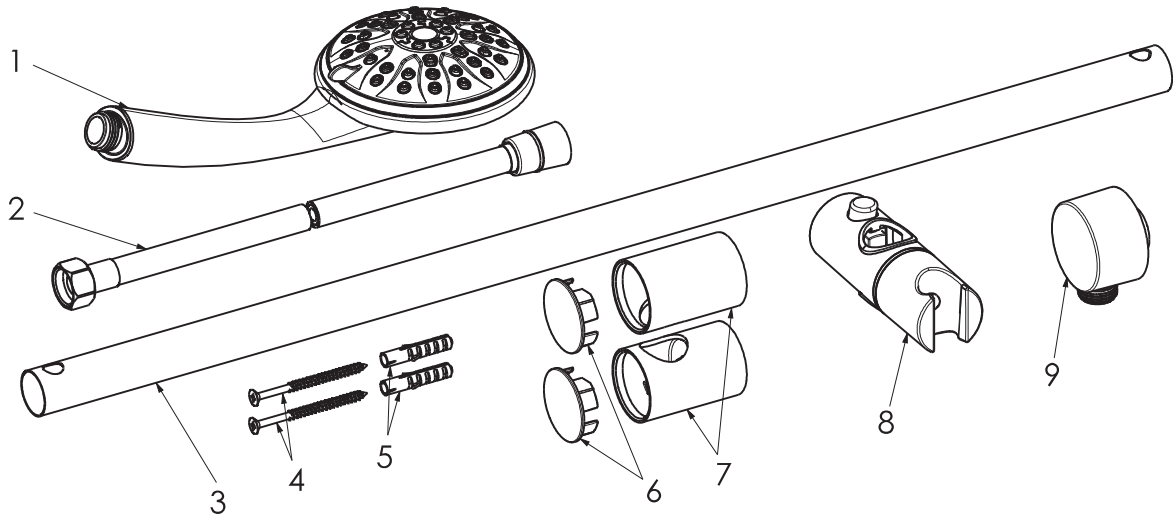
Model No. :

192-6820 (Polished Chrome)

192-6821 (Brushed Nickel *Spotless PVD*)

192-7290 (Matte Gold)

192-7291 (Matte Black)



No.	Part Name	Material
1	Hand-Held Shower	Plastic
2	Shower Hose	Stainless Steel
3	Slide Bar	Stainless Steel
4	Screws	Stainless Steel
5	Wall Anchors	Plastic
6	Trim Caps	Plastic
7	Base Support	Zinc
8	Shower Holder	Plastic
9	Wall Supply	Brass

Technical Support: warranty@cmiproduct.com
 Hour of Operation: Mon - Fri 8:30 a.m - 5:00 p.m. EST