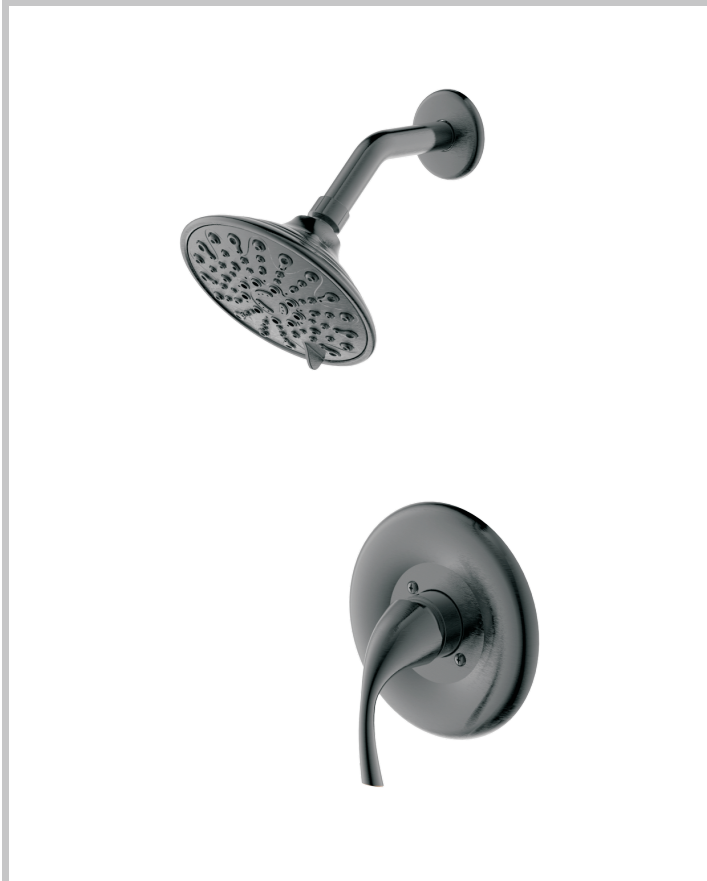


Grand Series Contractor Six Function Shower Only Trim Pack



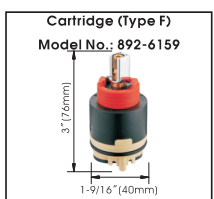
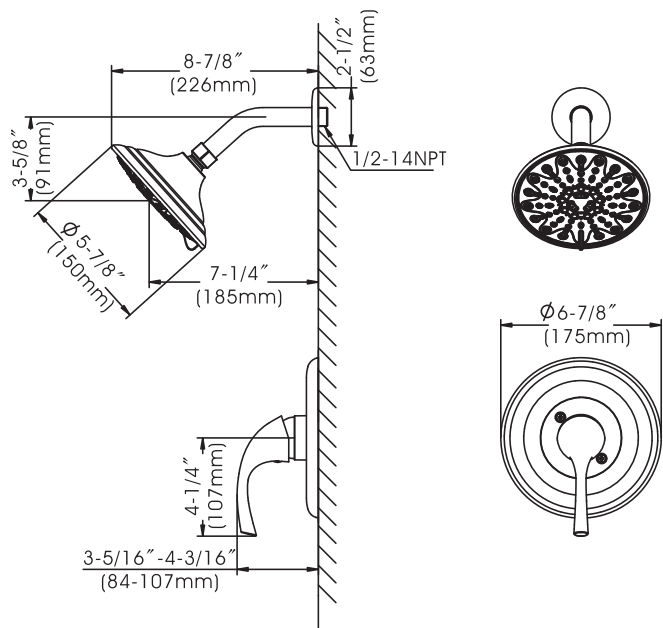
Model No. : 192-7391

- * Anti-Scald Pressure Balanced Valve with Integral Stops & Ceramic Cartridge (Type F)
- * 5-7/8" Six Function Shower Head
- * Stainless Steel Shower Arm with Flange
- * Stainless Steel Escutcheon with Screws
- * Zinc Handle
- * Matching Finish Trim Sleeve
- * Flow Rate: 1.5GPM (5.7L/MIN) MAX @ 80PSI
- * 100% Pressure System Tested
- * Lifetime Limited Warranty; 5 year Warranty from Date of Purchase for Commercial Use

Project / Job Name	
Architect / Engineer	
Contractor	
Model	
Quantity	

Model No. :

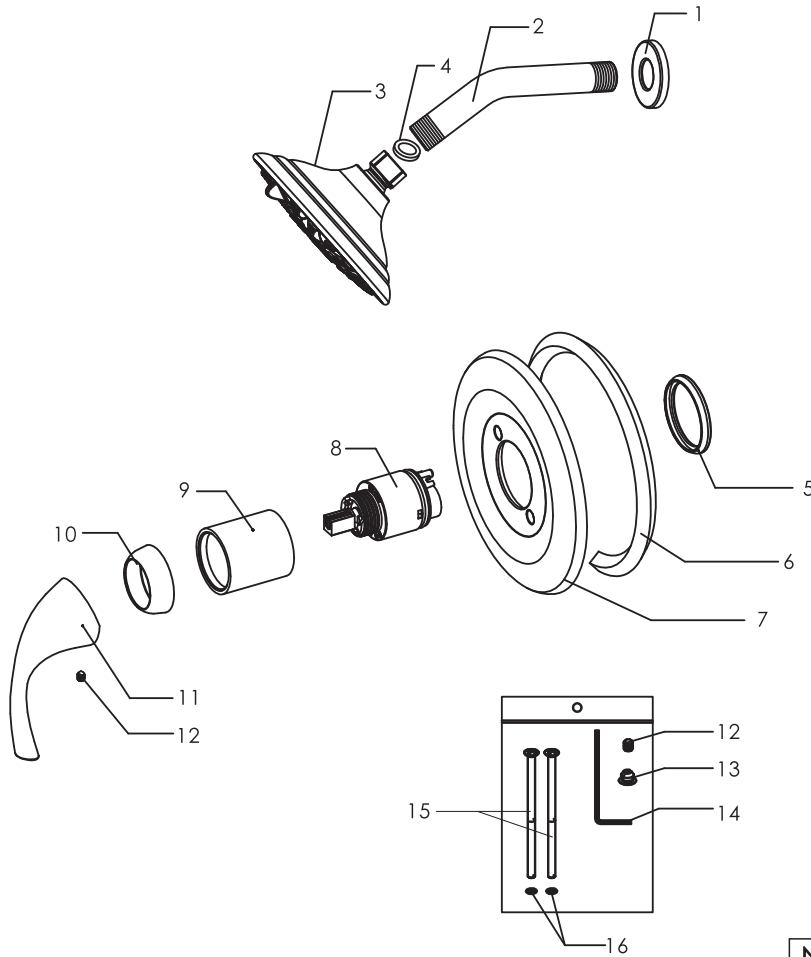
192-7389 (CH) 192-7390 (BN *Spotless PVD*) 192-7391 (ORB) **(Shown Model)**



Product Compliance:

- ASME A112.18.1 / CSA B125.1
- ANSI A117.1 (ADA)
- ASSE 1016

Grand Series Contractor Six Function Shower Only Trim Pack



Model No. :

192-7389 (Polished Chrome)

192-7390 (Brushed Nickel **Spotless PVD**)

192-7391 (Oil-Rubbed Bronze)

Cartridge (Type F)
Model : 892-6159



No.	Part Name	Material
1	Shower Arm Flange	Stainless Steel
2	Shower Arm	Stainless Steel
3	Shower Head	Plastic
4	Washer	Rubber
5	Sealing Ring	Rubber
6	Escutcheon Gasket	Sponge
7	Escutcheon	Stainless Steel
8	Cartridge	Ceramic
9	Cartridge Sleeve	Brass
10	Trim Cap	Zinc
11	Handle	Zinc
12	Set Screw	Stainless Steel
13	Handle Button	Plastic
14	Allen Wrench	Steel
15	Escutcheon Screws	Stainless Steel
16	Escutcheon Screw O-rings	Rubber

Technical Support: warranty@cmiproduct.com
 Hour of Operation: Mon - Fri 8:00 a.m. - 5:00 p.m. EST