

Aegean - Two Handle Bathroom Faucet

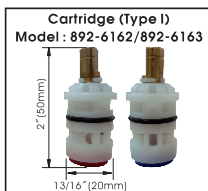
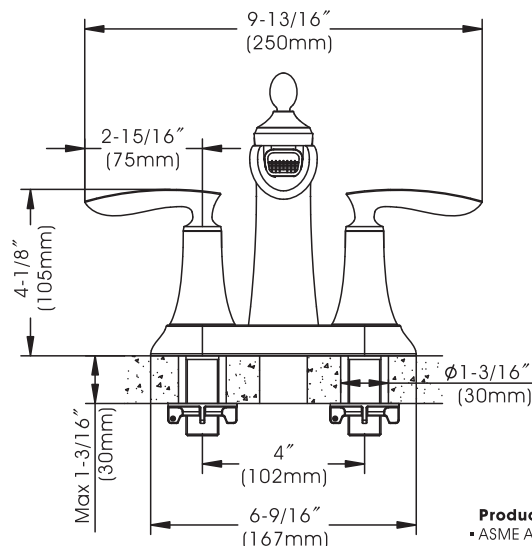
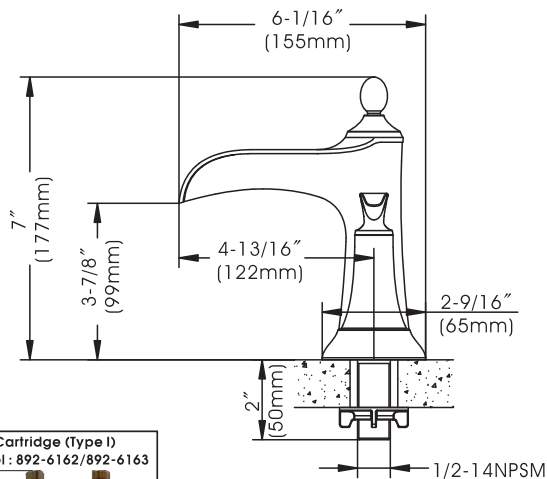


- * 4" Center-set, 3 Hole Installation
- * Brass Pop-Up Drain Assembly with Lift Rod Included
- * 3-7/8" High and 4-13/16" Long Brass Spout, Zinc Handles, Stainless Steel Deck Plate
- * Brass Waterway Construction with 1/2" -14 NPSM Connection
- * 1/4 Turn Premium Grade Ceramic Cartridges (Type I)
- * Flow Rate: 1.2 GPM (4.5L/MIN) MAX @ 60PSI
- * 100% Pressure System Tested
- * Lifetime Limited Warranty; 5 year Warranty from Date of Purchase for Commercial Use

Project / Job Name	
Architect / Engineer	
Contractor	
Model	
Quantity	

Model No. :

192-6434 (CH)
 192-6435 (BN *Spotless PVD*)
 192-6436 (ORB)
 192-7506 (MB) **(Shown Model)**



- Product Compliance:**
- ASME A112.18.1 / CSA B125.1
 - NSF 61 - Section 9
 - NSF 372 (Low Lead Content)
 - ANSI A117.1 (ADA)
 - EPA - Water Sense

Aegean - Two Handle Bathroom Faucet

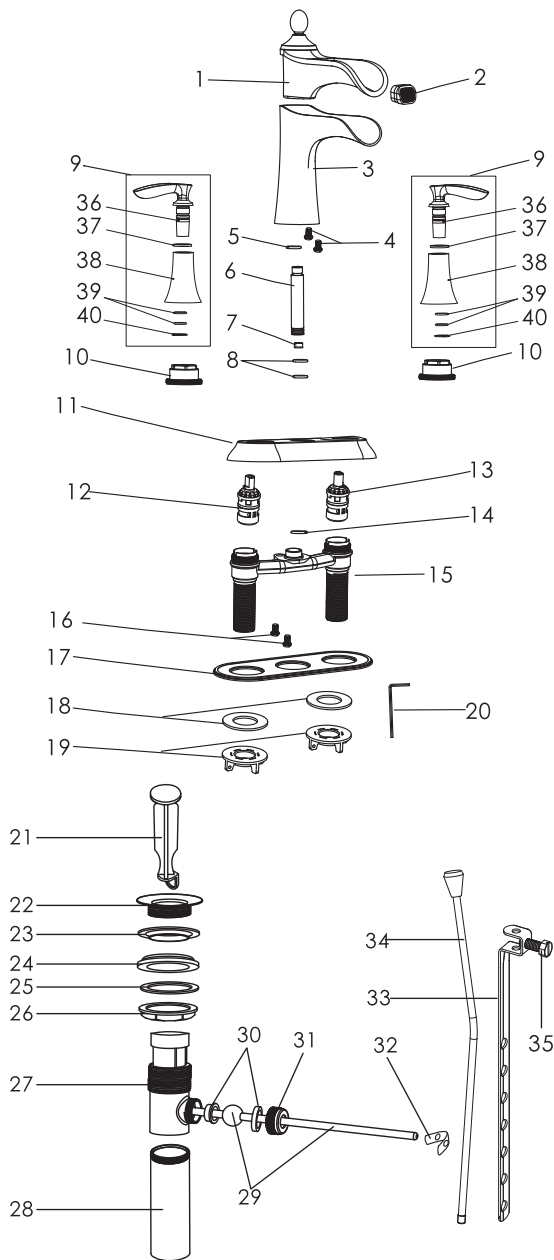
Model No. :

192-6434 (Polished Chrome)

192-6435 (Brushed Nickel Spotless PVD)

192-6436 (Oil-Rubbed Bronze)

192-7506 (Matte Black)



No.	Part Name	Material
1	Spout	Brass
2	Aerator	Plastic
3	Body	Zinc
4	Screws	Stainless Steel
5	O-ring	Rubber
6	Inlet	Brass
7	Flow Restrictor	Plastic
8	O-rings	Rubber
9	Handle Assembly	Zinc
10	Lock Nut	Zinc
11	Deck Plate	Stainless Steel
12	Cartridge(Hot)	Ceramic
13	Cartridge(Cold)	Ceramic
14	O-ring	Rubber
15	Brazed Underbody	Brass
16	Screw	Stainless Steel
17	Gasket	Plastic
18	Washer	Rubber
19	Lock Nut	Plastic
20	Allen Wrench	Steel
21	Drain Stopper	Brass
22	Flange	Brass
23	Top Rubber Washer	Rubber
24	Bottom Rubber Washer	Rubber
25	Washer	Plastic
26	Lock Nut	Zinc
27	Drain Body	Brass
28	Tailpiece	Brass
29	Ball Rod	Stainless Steel+Plastic
30	Ball Rod Gasket	Plastic
31	Ball Nut	Brass
32	Spring Clip	Stainless Steel
33	Lift Rod Strap	Steel
34	Lift Rod	Stainless Steel
35	Lift Rod Strap Screw	Steel
36	Handle	Zinc
37	Washer	Plastic
38	Handle Base	Zinc
39	O-rings	Rubber
40	Clamp Spring	Stainless Steel

Cartridge (Type I)

Model : 892-6162/892-6163



Technical Support: warranty@cmiproduct.com
 Hour of Operation: Mon - Fri 8:30 a.m - 5:00 p.m. EST