

Grand - Two Handle Bathroom Faucet



- * 4" Center-set, 3 Hole Installation
- * Includes Brass Pop-up Drain
- * 3-9/16" High and 4-7/16" Long One Piece Solid Cast Brass Spout, Zinc Handle, Zinc Deck Plate
- * Solid Brass Waterway Construction with 1/2" -14 NPSM Connection
- * 1/4 Turn Premium Grade Ceramic Cartridges (Type I)
- * Flow Rate: 1.2GPM @ 60PSI
- * 100% Pressure System Tested
- * Lifetime Limited Warranty; 5 year warranty from date of purchase for Commercial users.

Project / Job Name	
Architect / Engineer	
Contractor	
Model	
Quantity	

Model No. :



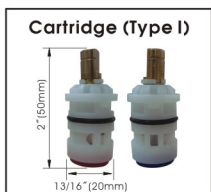
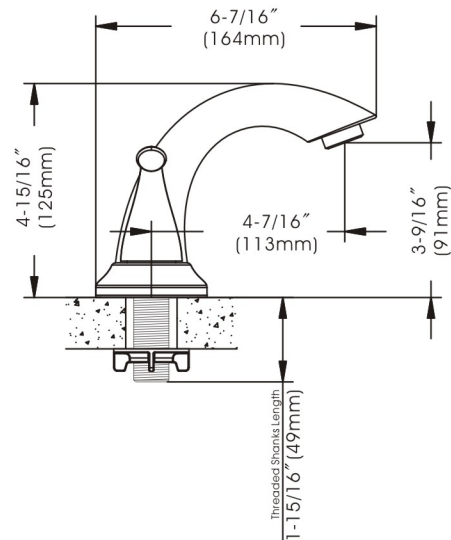
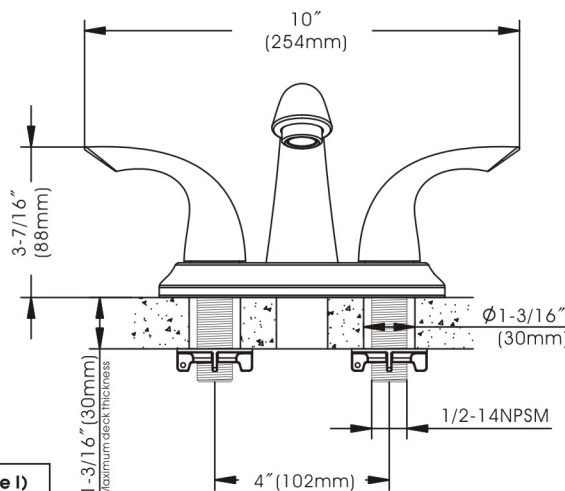
201-6592 (CH)



201-6593 (BN *Spotless PVD*)
 (Shown Model)



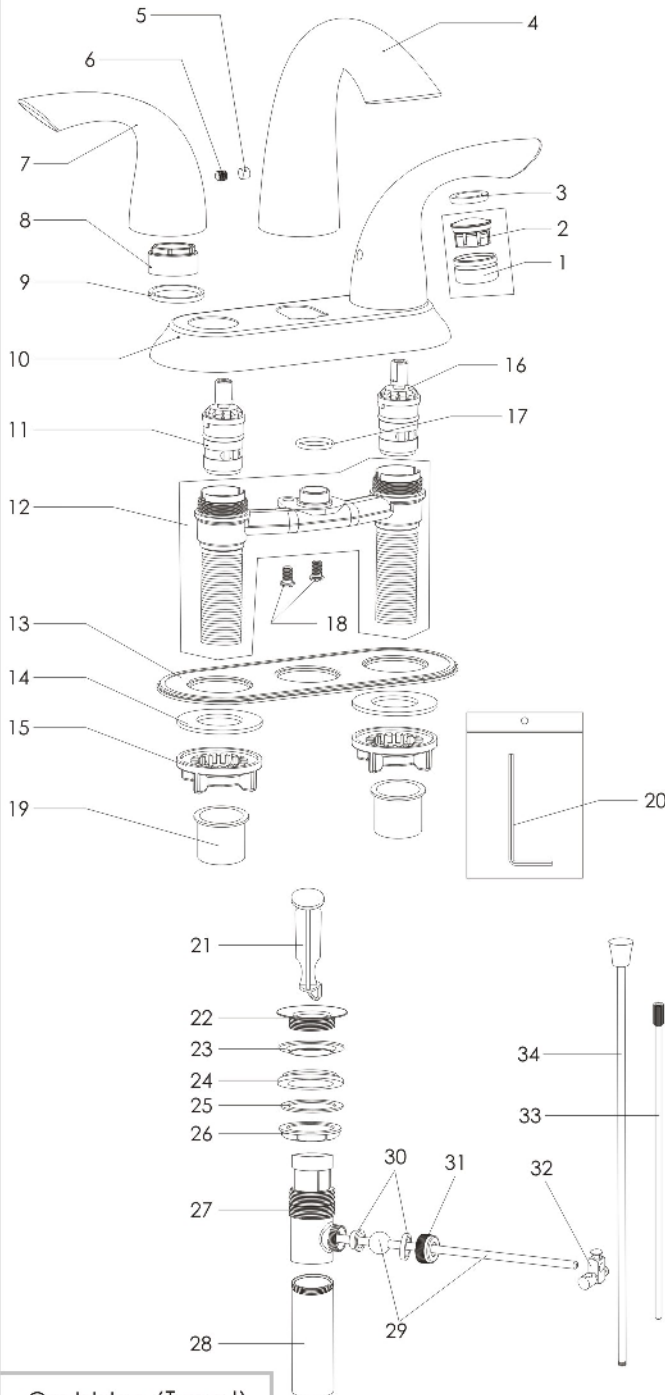
201-6594 (ORB)



Product Compliance:

- ASME A112.18.1 / CSA B125.1
- NSF 61 - Section 9
- NSF 372 (Low Lead Content)
- ANSI A117.1 (ADA)
- EPA - Water Sense

Grand - Two Handle Bathroom Faucet



Model No. :

201-6592 (Polished Chrome)

201-6593 (Brushed Nickel *Spotless PVD*)

201-6594 (Oil-Rubbed Bronze)

No.	Part Name	Material
1	Aerator Collar	Brass
2	Aerator Core	Plastic
3	Washer	Rubber
4	Spout	Brass
5	Button	Rubber
6	Set Screw	Stainless Steel
7	Handle	Zinc
8	Cartridge Lock Nut	Zinc
9	Plastic Washer	Plastic
10	Deck Plate	Zinc
11	Cartridge(Hot Water)	Ceramic
12	Brazed Underbody	Brass
13	Putty Plate	Plastic
14	Washer	Rubber
15	Plastic Lock Nut	Plastic
16	Cartridge(Cold Water)	Ceramic
17	O-Ring	Rubber
18	Screw	Stainless Steel
19	Protective Sleeve	Plastic
20	Allen Key	Steel
21	Drain Stopper	Plastic+Brass
22	Flange	Brass
23	Top Rubber Washer	Rubber
24	Bottom Rubber Washer	Rubber
25	Washer	Plastic
26	Lock Nut	Zinc
27	Drain Body	Brass
28	Tailpiece	Stainless Steel
29	Horizontal Rod	Plastic+Stainless Steel
30	Rod Ball Plastic Gasket	Plastic
31	Rod Guide Nut	Brass
32	Fittings	Brass
33	Extend Rod	Stainless Steel
34	Lift Rod	Brass

Cartridge (Type I)



Technical Support: warranty@cmiproduct.com
Hour of Operation: Mon - Fri 8:30 a.m - 5:00 p.m. EST