

## TROUBLE SHOOTING

CAUTION: Disconnect the power supply before servicing.

Status	Cause and Method of Repairing	Tools Required
No power	a). Check circuit breakers b). If the power supply is damaged, please call a qualified person to repair.	Phillips Screwdriver
The motor does not run	a). If the motor is damaged, replace a new motor assembly. b). If the switch control is damaged, replace a new switch control. c). If the capacitor is damaged, replace a new capacitor.	Phillips Screwdriver
Noise and vibration	a). The installation is not correct. Check it and make sure the hood connections are right. b). Fan is broken, so it's not balance. Replace a new motor assembly. c). The motor vibrates, check the mounting screws, and install them firmly. d). Something has dropped into the blower, check and clean it	Phillips Screwdriver
Weak Suction	a). The distance from the range hood to the cooking surface is too big, make sure the distance is between 24" to 27". b). If there are windows or doors in the kitchen, the air convection will be too big. Close some windows and doors to lower the air convection. c). Decrease the speed of the motor, replace a new motor or capacitor. If the range hood is set in front of a window, please block the window by applying a board on the back of the hood covering the empty window.	Phillips Screwdriver
LED light does not work	Replace the LED light with a new a LED lamp assembly	Phillips Screwdriver

### FULL ONE YEAR WARRANTY

Tru Vent warrants that the parts and assemblies of this product will be free of defects in material and workmanship under normal house hold use for 1 year from date of purchase. Tru Vent will replace any parts of your range hood (except light bulbs and filters) which are defective in materials or workmanship. This warranty covers the original purchaser with original receipt only and does not include business, commercial or industrial use of this product. Our responsibility under this warranty is limited only to the replacement of parts and no other costs. Tru Vent will, at its discretion, provide replacement parts for installation by consumer for any parts that prove defective under normal usage and service with new or equivalent parts.

Customer Service Department: 1-800-626-3525 or Email: [warranty@cmiproduct.com](mailto:warranty@cmiproduct.com)



Model No.: 812-0615  
812-0616

# RANGE HOOD

Owner's Manual

## CARBON FILTER

These carbon filters are designed for ventless range hood, they can be attached to the range hood blower and clean up the smell before recirculating the air back into the house. For those who do not have exhausting duct installed to circulate the cooking air outside the house, this is a perfect solution!

The carbon filters are easy to install, and easy to replaced. Our carbon filters come in black and white colors. It doesn't matter what color of the filters you received, because they are not visible once it is installed.

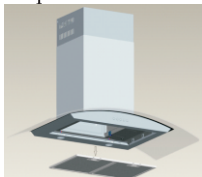
### Carbon Filters Installation Guide:

If the range hood is used in recirculation mode then it is necessary to install a pair of carbon filters to absorb unpleasant odors caused by cooking.

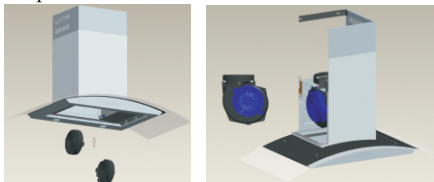
**Warning! Disconnect the power before you install or replace carbon filters.**

### Installing carbon filters:

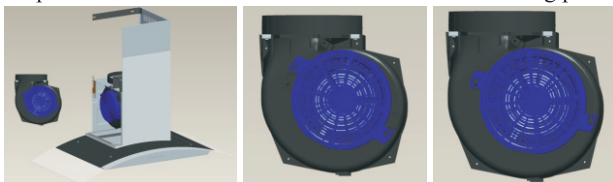
Step 1: Remove the grease filters, locate the blower inside the hood



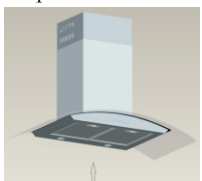
Step 2: Attach the carbon filters to both sides of the blower.



Step 3: Twist the carbon filter until it is in the locking position.



Step 4: Reinstall the grease filters, reconnect the power.



### Removing the carbon filters:

Remove the grease filters, locate the carbon filters attached to the blower inside the hood, twist and loose the filter then remove from the blower.

### Replacing the carbon filters:

The carbon filter should be replaced every 12-15 months or if the filter shows signs of damage.

## READ AND SAVE THE INSTRUCTION MANUAL

## CONTENTS

TECHNICAL SPECIFICATIONS .....	1
IMPORTANT SAFETY INSTRUCTIONS.....	2-3
GROUNDING INSTRUCTIONS(1).....	3
GROUNDING INSTRUCTIONS(2).....	4
DIMENSIONS .....	5
PARTS BREAKDOWN.....	6
INSTALLATION REQUIREMENTS.....	7
INSTALLATION PROCEDURES.....	8-13
OPERATING INSTRUCTION.....	13-14
MAINTENANCE.....	14
TO REPLACE LED LAMP.....	14
CARBON FILTER .....	15
TROUBLE SHOOTING.....	16

## 2.How to use the **Touch Control**

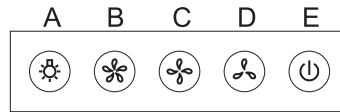
A: Press Button A once, turn on the light. Press it again, turn off the light.

B: Press button B, the fan runs at the high speed.

C: Press button C, the fan runs at the middle speed.

D: Press button D, the fan runs at the low speed.

E: Press button E, the fan turns off.



## MAINTENANCE

**CAUTION: NEVER PUT YOUR HAND INTO THE HOUSING AREA WHILE THE FAN IS OPERATING.**

**FOR THE OPTIMAL LEVEL OF OPERATION, CLEAN THE RANGE HOOD SURFACE, FAN, AND ALUMINUM FILTER REGULARLY.**

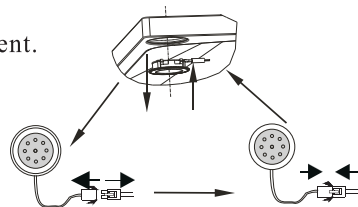
1. Use only mild soap or detergent solutions to clean the range hood surface. Dry surfaces using soft cloth.
2. Using a stainless steel cleaner to bring the glow back into a stainless steel finish.
3. Clean the aluminum filter once a week or according to use status. Press the release button of the aluminum filter slightly, take off the aluminum filter and put it into warm soapy water using mild detergent, wipe the aluminum filter with soft brush. Replace the filter after it is dry. It can be washed in a dishwasher.
4. Clean the motor fan and other inside parts every 6 months or according to this manual for better results..
5. DO NOT clean the motor with water or any other liquid.

## TO REPLACE LED LAMP

Caution: LED light does no have a replaceable bulb, replace with a new LED lamp assembly.

Make sure all the control switches are off, and the range hood is unplugged. Please follow below instructions:

1. Take out the filters, and unplug the wire connection to the light.
2. Press the spring according to the arrow direction, then you can take out the LED unit.
3. You can replace the LED light assembly with no more than 2W light.
4. Then replace the LED unit, connect the wire of the light.
5. Replace filters.
6. For new LED light, please call the tech department.



Dear Tru Vent customer,

Thank you for purchasing a Tru Vent range hood. Please read all the instructions carefully before proceeding with installation of the range hood.

## TECHNICAL SPECIFICATIONS

MODEL NO.:812-0615 812-0616

TOTAL POWER: 323W

THREE SPEED MOTOR: 315W

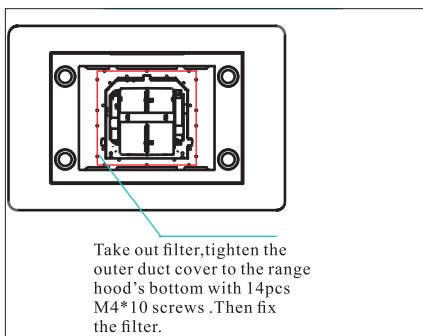
LIGHTS: 4 x 2W

VOLTAGE: 120V

FREQUENCY: 60Hz

## TOOLS NEEDED





**Step 8:**  
 Take out filter, tighten the outer duct cover to the range hood's bottom with 14 pcs M4\*10 screws. Then fix the filter.  
 Remove the tape from the duct cover and range hood body.

## IMPORTANT SAFETY INSTRUCTIONS:

1. Do not connect the vent outlet to chimney flues or combustion gas ducts.
2. Do not leave unattended open flames under this hood.
3. In case of any damage to power cable, replace the broken cable with a new one by a qualified person.
4. Clean the hood correctly in accordance to these instructions or it can cause operational problems.
5. Replacing the LED lamp should be performed by a qualified person. Always use a LED lamp 2W or less.
6. Remove the components gently during the cleaning process.
7. Never wash the control switch with water or it will cause electrical problems for the hood.
8. Cleaning the motor fan should be performed by a qualified person, make sure you do not loosen or knock the fan out of the alignment.
9. Never pull the plug out of the power supply with wet hands to avoid the possibility of electric shock.

## OPERATING INSTRUCTION

### 1. How to use the **Soft touch Control**

Lamp Timer Clock Fan Power/Standby



**Lamp:** Press the lamp display one time to activate the light, press the lamp display again to deactivate it.

**Power/Standby:** Touch this button. It will enter the standby mode.

**Setting the clock:** When the range hood is in "Standby" Mode, press and hold the timer button for 3 seconds. The range hood will then enter the time setting state; the display screen will show numbers. Press the Fan button to set hours and press the Lamp button to set the minutes. After 10 seconds, it will automatically exit the time setting state and the time you have entered will be saved, or press the Timer button to exit and keep saved time.

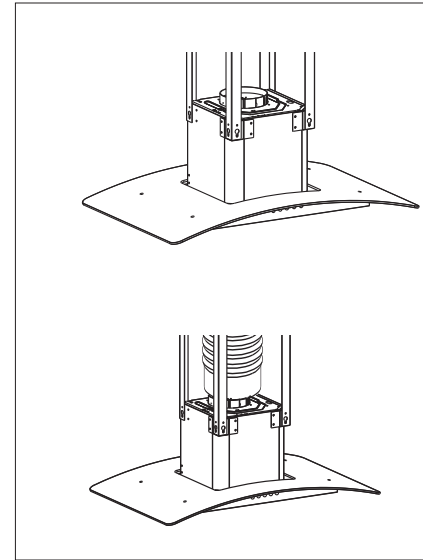
**Fan Operation:** In standby mode, press the Fan button one time and the range hood will start at F3 speed. If the Fan button is pressed again, the speed will reduce to F2. If the Fan button is pressed again, the speed will reduce to F1. Pressing the Fan button after the F1 setting will shut off the fan.

**Timer:** When the fans are operating, touch the Timer button one time. This will turn on the timer mode and the display will show a flashing 03:00, after 8 seconds the display will stop flashing and begin counting down. Each time you press the timer button, it will increase by 1 minute with the maximum timer setting of 60 minutes. Within the last 3 seconds of the timer setting, the range hood will make three beeps.

## GROUNDING INSTRUCTIONS(1)

This appliance must be grounded. In the event of an electrical short circuit; grounding reduces the risk of electric shock by providing an escape wire for the electric current. This appliance is equipped with a cord having a grounding wire with a grounding plug. The plug must be plugged into an outlet that is properly installed and grounded.

**WARNING** - Improper grounding can result in a risk of electric shock. Consult a qualified electrician if the grounding instructions are not completely understood, or if doubt exists as to whether the appliance is properly grounded. Do not use an extension cord. If the power supply cord is too short, have a qualified electrician install an outlet near the appliance.



Step 7:  
(For 812-0615)

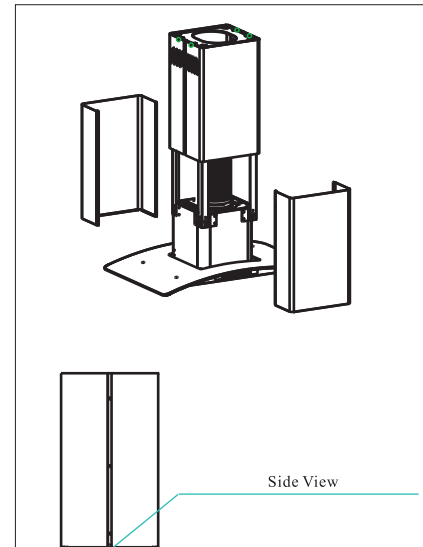
- A. Place the range hood underneath the low extension bars and fix 4 pcs lower extension bars to the range hood's blower box with 4 pcs M4\*10 screws of each.

**Warning: This will take at least two people.** Screw in (4) M4\*10 screws through the support frames into the pre-aligned holes in the range hood on all four corners.

Step 8:

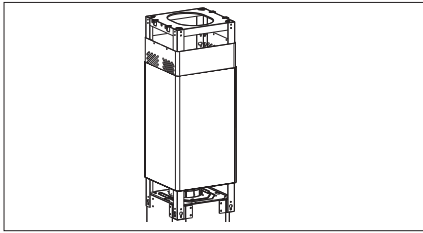
- A. Use 2 pcs ST4\*10 screws to fix the round flexible duct exhaust hose pipe to shutter (attached to range hood on top of unit) and secure with duct tape.

**Note: If you are choosing the ductless/recirculating mode do not install the duct exhaust pipe .**



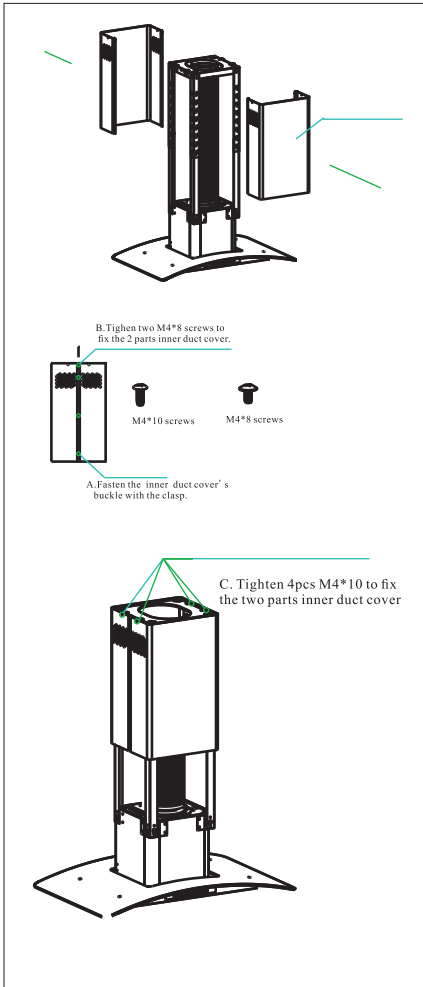
Step 7:  
(For 812-0616)

- A. Bring two outer duct cover together over the support frame brackets.  
B. Tighten two M4\*8 screws to fix the 2 parts inner duct cover.



**Step 6:**  
(For 812-0615)

Slip outer duct cover through the extension bar and temporarily over the inner duct cover. Apply tape to outer duct cover to temporarily attach to the inner duct cover to hold in place while securing the range hood motor assembly. After range hood motor assembly is attached you will remove the tape for final assembly of the outer duct cover.



**Step 6 :**  
(For 812-0616)

Like the figure

A. Put the 2 parts inner chimney to the range hood and fasten the inner chimney's buckle with the clasp.

B. Tighten two M4\*8 screws to fix the 2 parts inner chimney.

C. Pull the inner chimney to the ceiling, tighten 4pcs M4\*10 screws from the side of the inner chimney to attach the inner chimney to the ceiling cover.

**GROUNDING INSTRUCTIONS(2)**

This appliance must be grounded. In the event of an electrical short-circuit, grounding reduces the risk of electric shock by providing an escape wire for the electric current. This appliance is equipped with a cord having a grounding wire with a grounding plug. The plug must be plugged into an outlet that is properly installed and grounded.

**WARNING -** Improper grounding can result in a risk of electric shock. Consult a qualified electrician if the grounding instructions are not completely understood, or if doubt exists as to whether the appliance is properly grounded. Do not use an extension cord. If the power supply cord is too short, have a qualified electrician install an outlet near the appliance.”

Disconnect the appliance from the power supply before servicing.

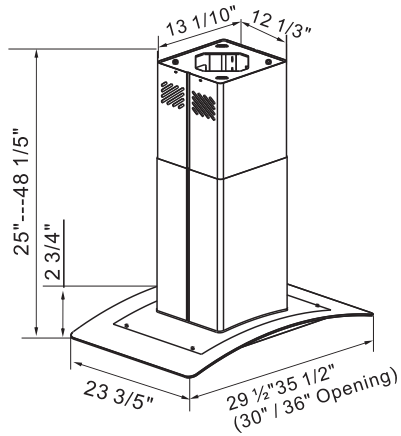
To Reduce the Risk of Fire or Electric Shock, Do Not Use This Fan with Any Solid-State Speed Control Device.

**WARNING – TO REDUCE THE RISK OF FIRE, ELECTRIC SHOCK, OR INJURY TO PEOPLE, OBSERVE THE FOLLOWING:**

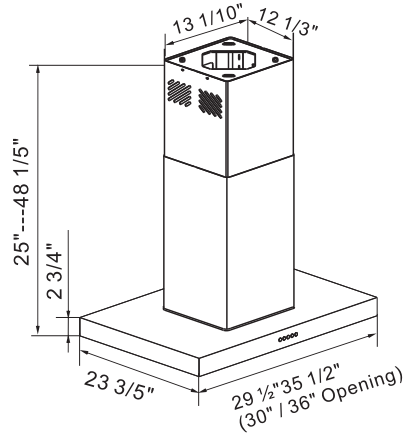
- a) Use this unit only in the manner intended by the manufacturer. If you have questions, contact the manufacturer.
  - b) Before servicing or cleaning unit, switch power off at electrical panel and disconnect the in case power is switched on accidentally.  
When the service disconnecting means cannot be locked, securely fasten a prominent warning device, such as a tag, to the electrical panel.
- WARNING – TO REDUCE THE RISK OF FIRE, ELECTRIC SHOCK, OR INJURY TO PEOPLE, OBSERVE THE FOLLOWING:**
- a) Installation work and electrical wiring must be done by qualified person(s) in accordance with all applicable codes and standards, including fire-rated construction.
  - b) Sufficient air is needed for proper combustion and exhausting of gases through the flue (chimney) of fuel burning equipment to prevent back drafting. Follow the heating equipment manufacturer's guideline and safety standards such as those published by the National Fire Protection Association (NFPA), and the American Society for Heating, Refrigeration and Air Conditioning Engineers (ASHRAE), and the local code authorities.
  - c) When cutting or drilling into wall or ceiling, avoid electrical wiring and other hidden utilities.
  - d) Ducted fans must always be vented outside.

Read and save this instruction manual

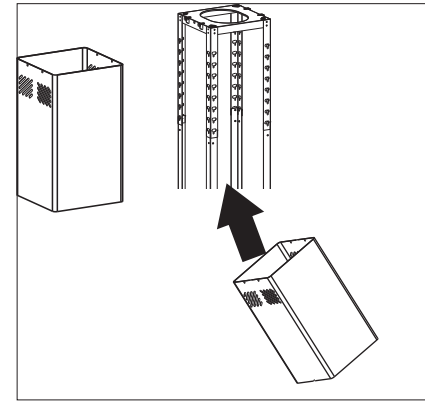
## DIMENSIONS



812-0616



812-0615

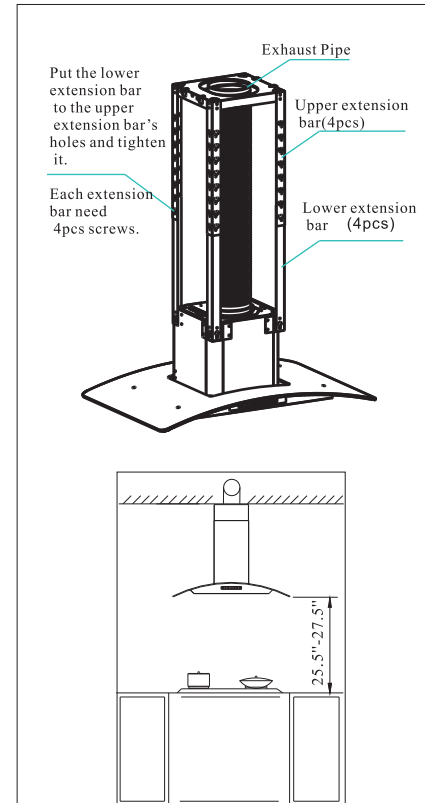


Step 5 :

(For 812-0615)

Slip inner duct cover up through the extension bars and over the ceiling cover. Be sure the duct cover slides over the (2) mounting brackets on each side.

Pull the inner duct cover to the ceiling, tighten 4 pcs M4\*10 screws from side of the inner duct cover to fix the inner duct cover to the ceiling cover.



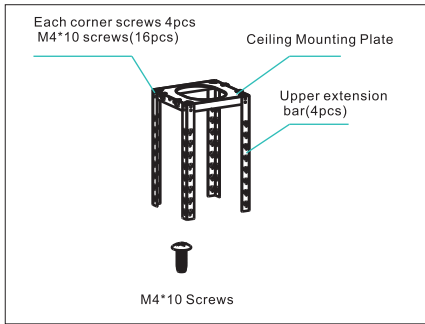
Step 5 :

(For 812-0616)

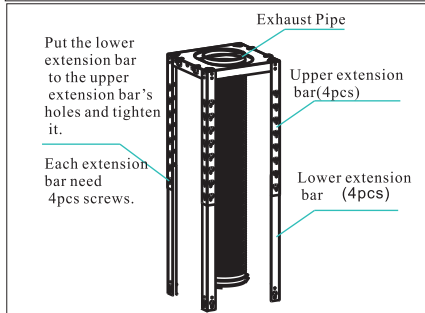
A. Like the figure, put the range hood and let the screws of the top lower extension bar to the upper extension bar's holes and tighten them.

B. You can adjust the height of the range hood by the upper extension bar's holes. The recommended height is between 25 1/2"- 27 1/2" from the stove top/counter top surface to the lower edge of the hood.

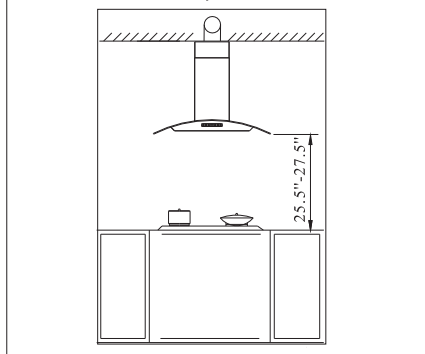
C. Then put another 3 pcs M4\*10 screws to tighten each upper extension bar to lower extension bar.



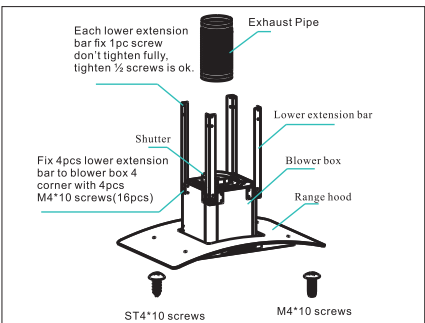
Step 3:  
Like the figure, Fix 4 pcs upper extension bars



Step 4:  
(For 812-0615)  
Measure the distance that the bottom of the range hood will be from the top of your range. The Recommended height is between 25 1/2" - 27 1/2" from the stove top/counter top surface to the lower edge of the hood .



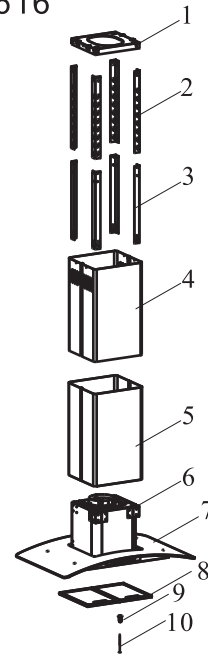
Attach the (4) lower extension bars to the upper extension bars at the height which you marked. Each extension bars will use (4) M4\*10 Screws .



Step 4:  
(For 812-0616)  
A. Like the fig, put the exhaust pipe to the range hood's shutter and use 2 pcs ST4\*10 screws to fix the exhaust pipe.  
B. Fix 4 pcs lower extension bars to the range hood's blower box with 4 pcs M4\*10 screws of each.  
C. Fix 1 M4\*10 screw to the top of each lower bars, don't tighten fully.

## PARTS BREAKDOWN

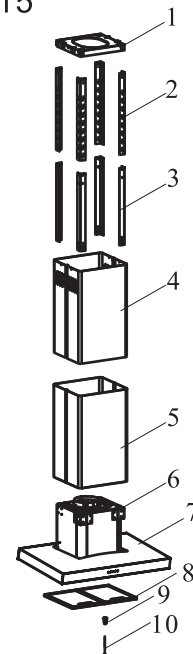
812-0616



NO.	Part Name
1	Ceiling mounting plate
2	<b>Upper extension a space bar(4pcs)</b>
3	<b>Lower extension a space bar(4pcs)</b>
4	Inner duct cover
5	Outer duct cover
6	Blower box
7	<b>Tempered Glass</b>
8	Aluminum Grease Filter
9	ST4*10screws
10	ST5*60screws

Parts can be replaced are in BOLD!

812-0615



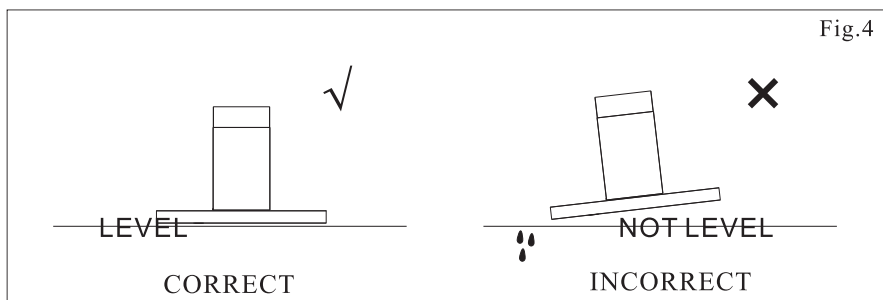
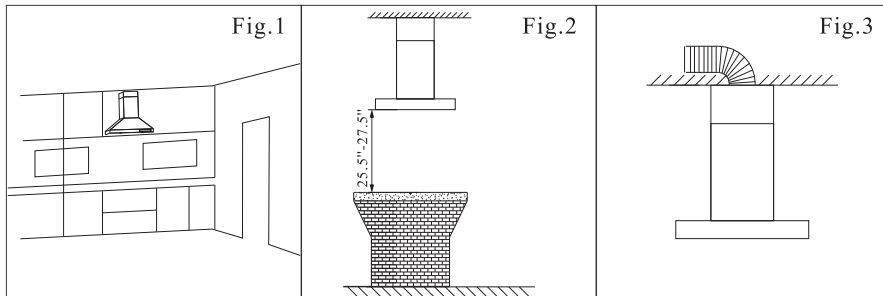
NO.	Part Name
1	Ceiling mounting plate
2	<b>Upper extension a space bar(4pcs)</b>
3	<b>Lower extension a space bar(4pcs)</b>
4	Inner duct cover
5	Outer duct cover
6	Blower box
7	<b>Body</b>
8	Aluminum Grease Filter
9	ST4*10screws
10	ST5*60screws

Parts can be replaced are in BOLD!



## INSTALLATION REQUIREMENT

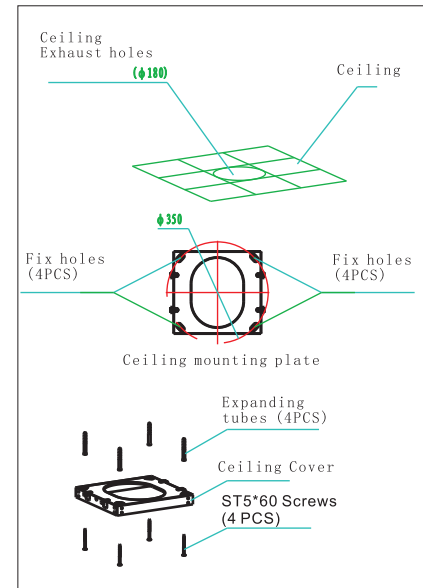
1. Do not install the range hood by doors and windows. This may cut down on the exhaust efficiency of the hood caused by air convection. (Fig. 1)
2. The recommended distance between the cooking surface and the bottom of the hood is a minimum of 24" and maximum 27". (Fig. 2)
3. Fix the spacing - less than 120°, Make sure the connection is sealed correctly. (Fig. 3)
4. After hanging the unit on the wall, make sure the hood is level and vertical. (Fig. 4)
5. The vent outlet must not be connected to chimney flues or combustion gas ducts. The vent outlet must not be connected to ventilation ducts from rooms in which fuel-burning appliances are installed.



## INSTALLATION PROCEDURES

### SAFETY WARNING

*HOOD MAY HAVE SHARP EDGES; PLEASE WEAR PROTECTIVE GLOVES IF IT IS NECESSARY TO REMOVE ANY PARTS FOR INSTALLING, CLEANING OR SERVICING.*



### Step 1:

Like the Fig, drill a 7" diameter holes in the center of the place where you want fix the range hood. And drill 4 pcs  $\frac{5}{16}$ " diameter holes in the ceiling where you want fix the range hood. Then put 4 pcs expanding tubes to the holes. Put the ceiling cover to the ceiling, and insert 4 pcs ST5\*60 screws to the expanding tubes, then tighten the 4 screws.

### Step 2:

Note: If you are using this as a ductless/recirculating model, please skip this step.

If you are using this as a ducted model, you will need to remove the carbon filters. The instructions for removing the carbon filters are on page 13.

if you are choosing the ducted range hood. Assemble the ventilation to the outside using duct tape or strapping.

