



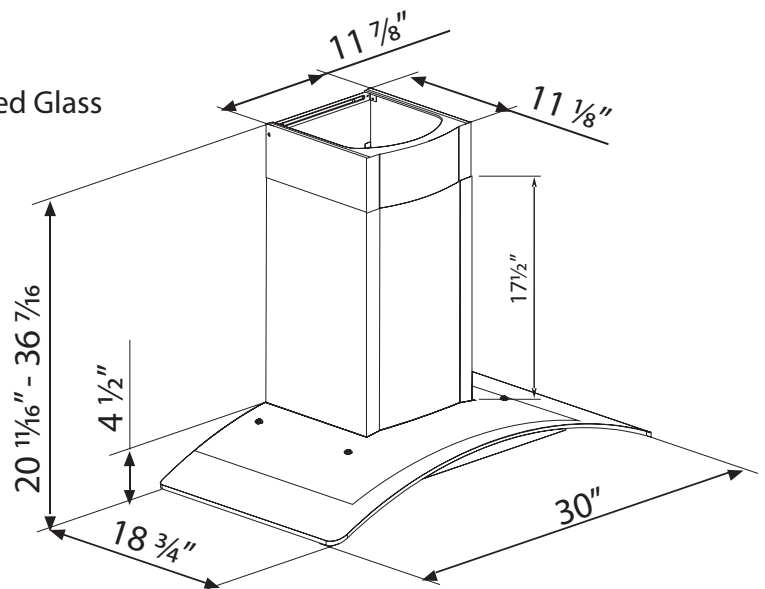
Astro 30SS 812-0612

Wall Mounted Kitchen Hood

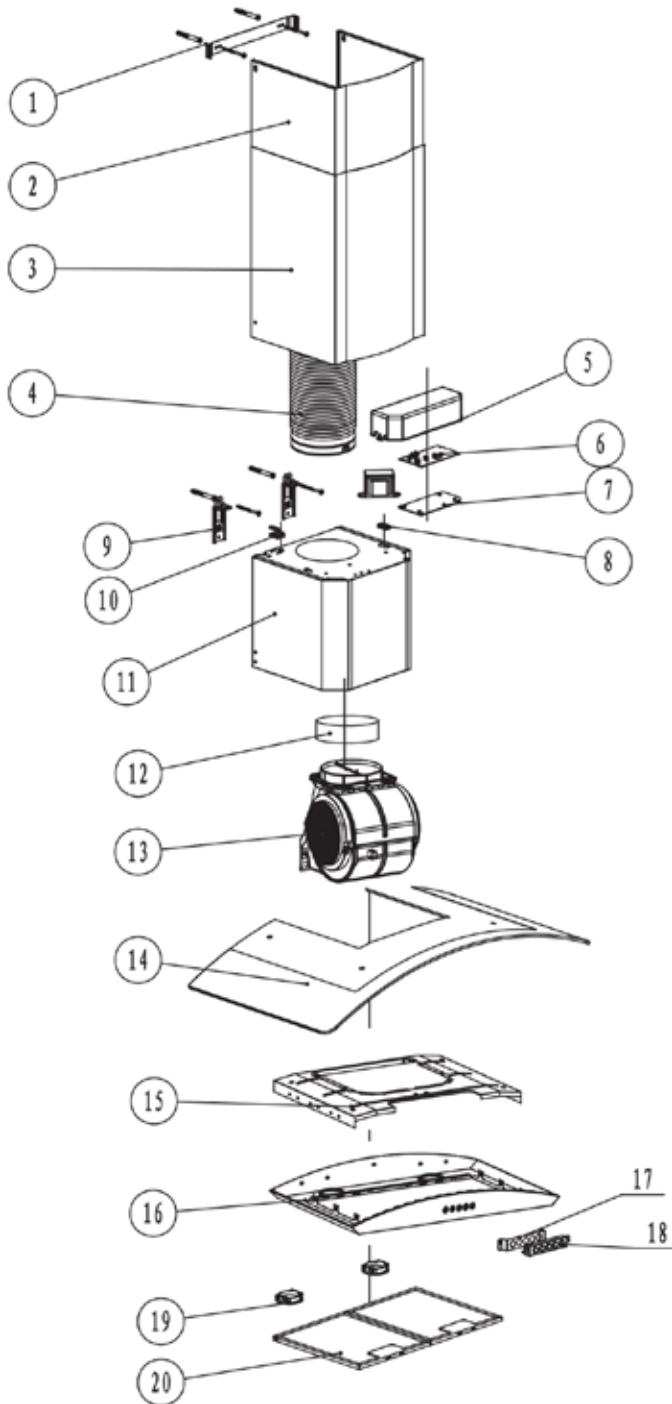
- Width: 30"
- Dimension: 30"W x 18³/₄"D x 20¹/₁₆" - 36⁷/₁₆"H
- Light Type: 2 x 2W LED
- Air Outlet: 6"
- Finish: Satin Finish Stainless Steel and Tempered Glass
- Motor: 150W with 110 plug
- Voltage: 120V
- Vent Pipe: 79" Adjustable Vent Pipe
- Vent Type: Ducted or Recirculated
- Airflow: 350 CFM
- Noise Level: 65 dB

Features

- Direct Vent or Recirculating
- 3 Fan Speeds
- Electronic Switch
- Low Noise Operation
- Dishwasher Safe Aluminum Filter
- Charcoal Filters Included for Recirculating



*Dimensions are nominal values and are subject to normal manufacturing/packaging tolerance and variation.



1	Shroud Bracket
2	Inner Shroud
3	Outer Shroud
4	Expandable Vent Pipe
5	Circuit Board Cover
6	Circuit Board
7	Circuit Board Bracket
8	Electrical Wire Rubber Bushing
9	Installation Hanger
10	Electrical Wire Clamp
11	Metal Blower
12	Plastic Collar
13	Motor Assembly
14	Main Glass
15	Metal Frame
16	Steel Frame with LED Light Bracket
17	Switch Bracket
18	Switch Assembly
19	LED Light
20	Aluminum Filter



Charcoal Filters (Set)
For Use With Recirculating Vent