

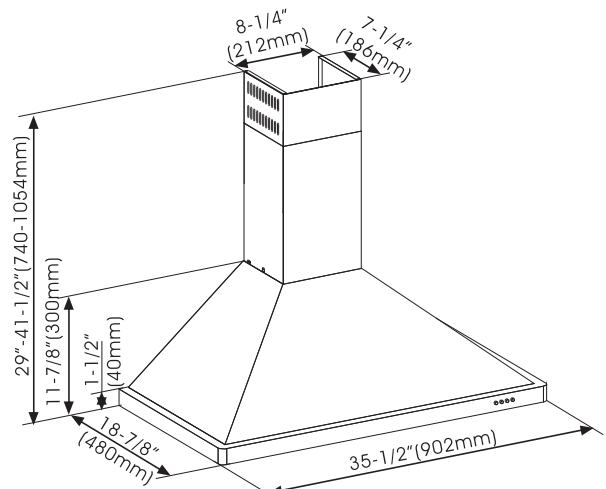
# Range Hood Series



## Nova 36SS 812-0617

### Wall Mounted Range Hood

- \* Ceiling Height : 8'
- \* Width : 36" ( 892mm )
- \* Light Type : 2 x 2 W Led
- \* Air Outlet : 6" ( 150mm )
- \* Material : 430 Stainless Steel with Satin Finish
- \* Flexible Aluminum Duct : 79" ( 2 meters )
- \* Air Flow : 350 CFM ( 600 CMH )
- \* Wind Pressure : 320 Pa
- \* Noise : 65 dB
- \* Ducted And Recirculated Air Operation
- \* Electronic Switch
- \* Better Suction Performance
- \* Low Noise Level
- \* Extension (812-5840), sold separately, to fit a 9' ceiling

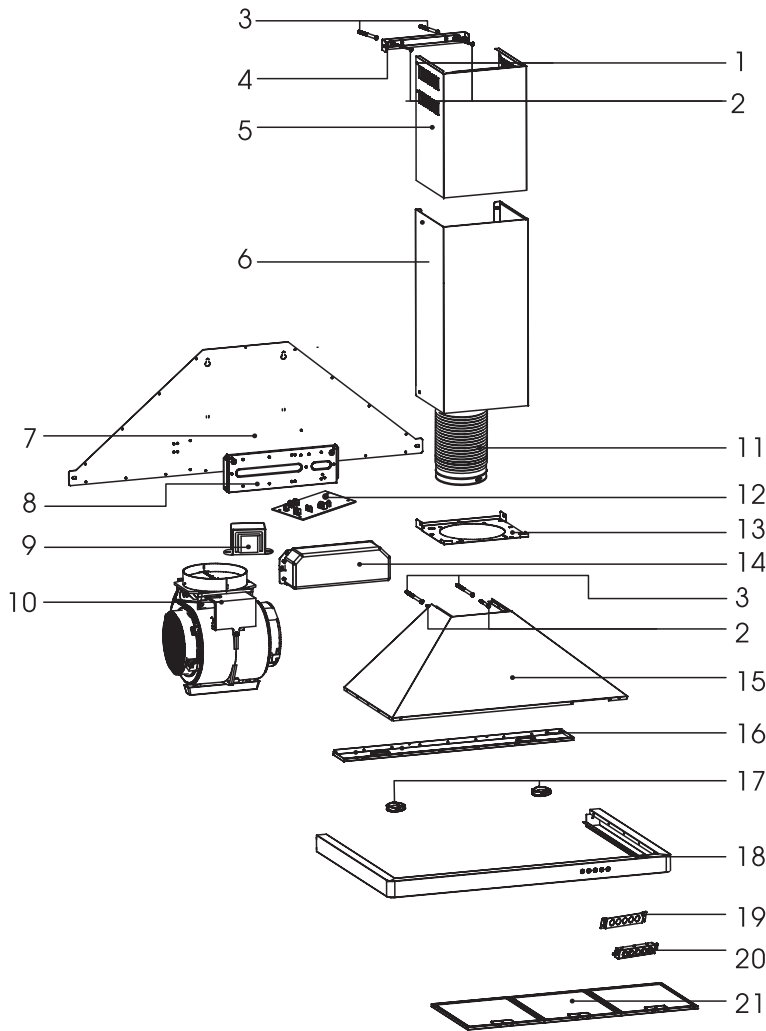


Inch = opening size  
 mm = actual size



Charcoal Filter Set (Sku 881-2802)  
 For Use with Recirculating Vent System

## 812-0617



No.	Part Name	Material
1	M4 x 10 Screw	Stainless Steel
2	5 x 60 Screw	Steel
3	Wall Anchor	Polypropylene
4	Duct Cover Bracket	Cold Plate
5	Inner Duct Cover	Stainless Steel
6	Outer Duct Cover	Stainless Steel
7	Rear Hood Panel	Galvanized Sheet
8	Circuit Board Bracket	Polypropylene
9	Capacitor	Steel
10	Motor	Metal
11	Flexible Aluminum Duct	Polypropylene
12	Circuit Board	Polypropylene
13	Motor Mounting Bracket	Galvanized Sheet
14	Circuit Board Cover	Plastic
15	Hood Cover	Stainless Steel
16	LED Light Bracket	Stainless Steel
17	LED Light Assembly	LED
18	Frame	Stainless Steel
19	Switch Bracket	Plastic
20	Switch Assembly	Plastic
21	Aluminum Filter	Aluminum